

STAINLESS STEEL

D9: CLASS II/NEMA 9 DUST-IGNITIONPROOF ENCLOSURES



D9SC



Certifications

Class II, Div. 1 & 2, Groups E, F, & G
Class III
UL1203/CSA C22.2 No. 25
UL50
NEMA Type 4X and 9

PRODUCT INFORMATION

Features

- 9 standard sizes available
- Removable screw cover design (D9SC) or hinged clamped cover design (D9N)
- Sub-panel provisions (for optional sub-panel)
- Stainless steel piano hinge (D9N)
- One-piece, NEMA 4X water-tight silicone gasket
- Internal/external grounding provisions
- Mounting tabs
- Gland plates for drilled and tapped entries

Material

- Enclosures made of 316L stainless steel
- Stainless steel hardware
- Silicone gasket
- Gland plates made from 3/8" thick Type 5052 H-32 Aluminum

Design Options

- Sub-Panels - available in stainless steel or powder-coated carbon steel
- Aluminum Gland plates on 1-4 sides for custom threaded entries
- Installation and wiring of internal terminal blocks and control components
- Multiple coating options for additional corrosion resistance

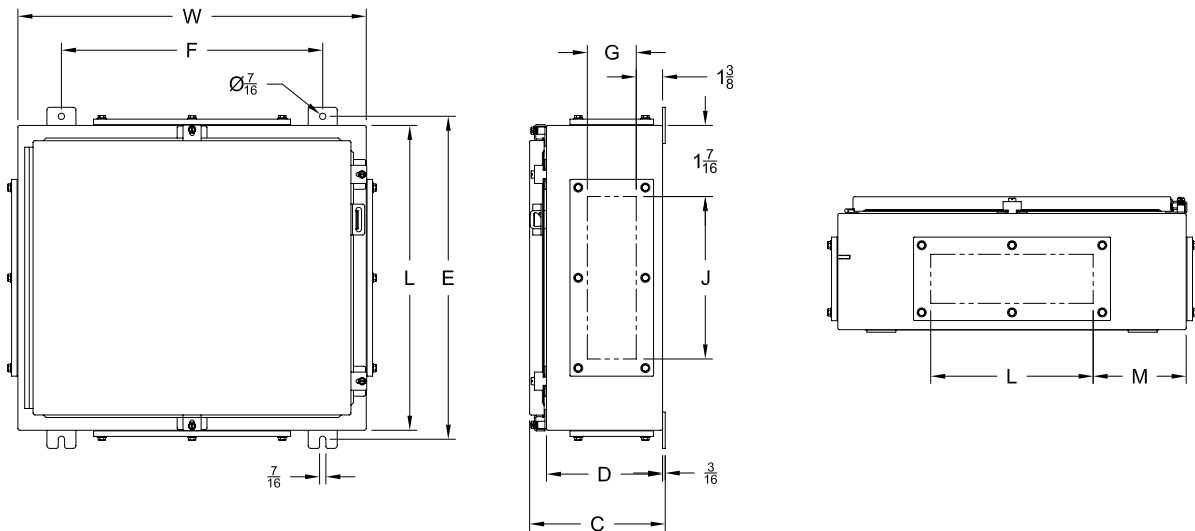


D9N

STAINLESS STEEL

D9: CLASS II/NEMA 9 DUST-IGNITIONPROOF ENCLOSURES

D9N Series



D9SC Series

