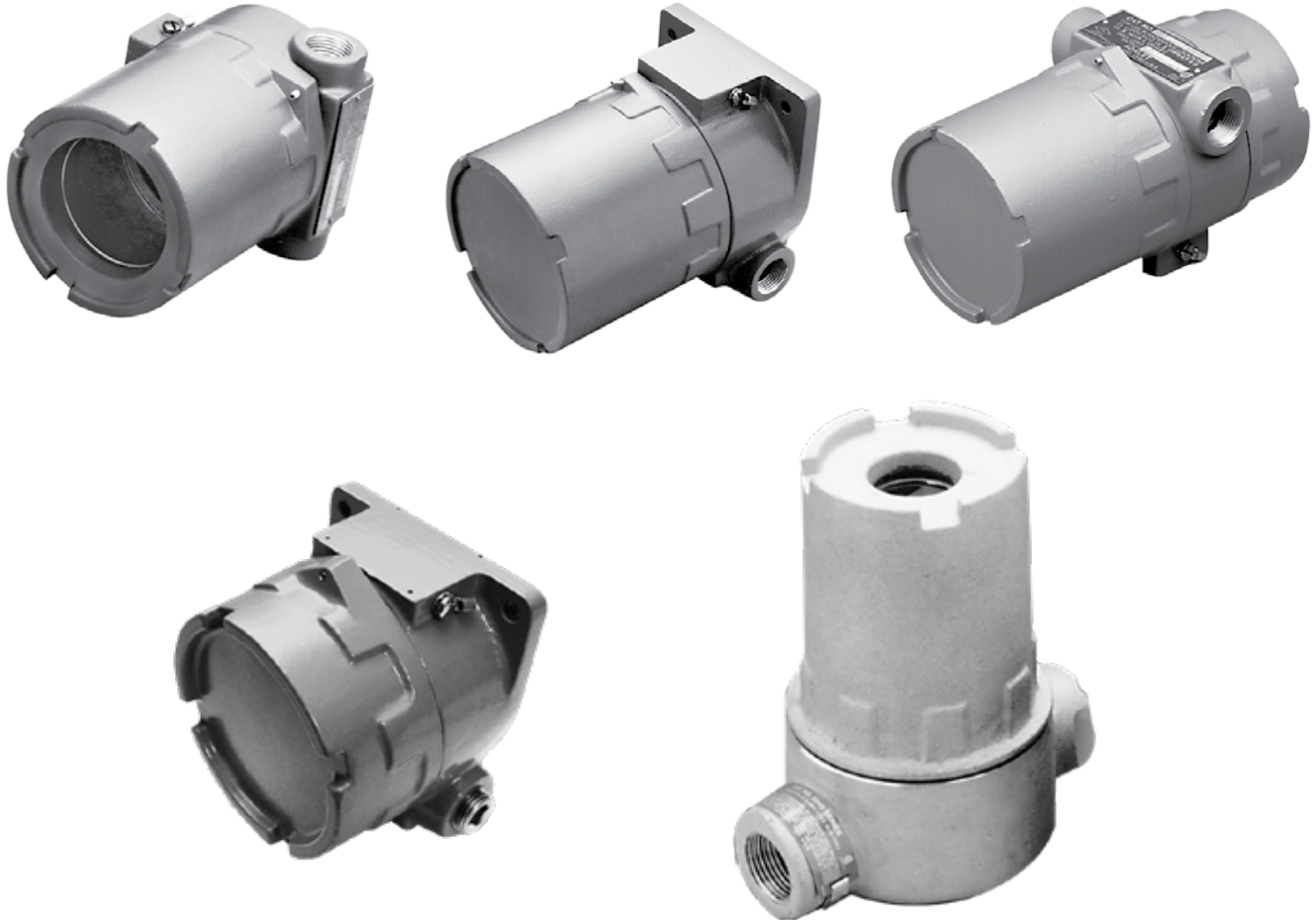


FULL SERIES

3-3/16" ID ENCLOSURES

**SERIES INFORMATION****Features**

- Precision machined from sand-cast copper-free aluminum or stainless steel 316L
- Internal and external ground screws and tamper resistant cover set screw for extra safety
- Buna-Nitrile rubber gasket for NEMA Type 4X watertight applications. Silicone gasket available, consult factory.
- Corrosion resistant, "safety blue" polyester powder coating (other colors available)
- Stainless steel hardware
- Front Boss modifications available
- Solid & glass covers
- Double and single ended
- Stainless steel and die cast aluminum versions available

EXPLOSIONPROOF INSTRUMENT HOUSINGS

FULL SERIES

QUICK REFERENCE CHART FOR INSTRUMENT HOUSINGS

Catalog #	XIHL	XDHL	XIHM	XDHM	XIH	XDH	XIHS	XIHN/XIHNS
Size	Large	Large	Medium	Medium	Standard	Standard	Small	Large
Single or Double Sided	Single	Double	Single	Double	Single	Double	Single	Single
Throat Diameter	4.00"	4.00"	3.56"	3.63"	3.19"	3.19"	2.63"	4.60"
Glass Cover Viewing Diameter	3.31"	3.31"	2.63"	2.63"	2.63"	2.63"	1.13"	1.13"
UL	B,C,D	B,C,D	B,C,DCanadian	B,C,D	B,C,D	B,C,D	B,C,D	B,C,D
Canadian	cUL B,C,D	cUL B,C,D	cUL B,C,D	cUL B,C,D	cUL B,C,D	cUL B,C,D	cUL B,C,D	cUL B,C,D
FM	B,C,D	B,C,D	B,C,D	B,C,D	B,C,D	N/A	B,C,D	N/A
ATEX/EEExd Exd	Yes - IIC	Yes - IIB+H ₂	Yes - IIC	Yes - IIB+H ₂	Yes - IIC	Yes - IIC	No	Yes - IIC
NEMA 4X & IP66	Both	Both	Both	Both	Both	Both	Type 4	Both
Cast Mtg. Feet	Yes	No	Optional	No	Optional	No	No	Yes, 2+ Optional 3rd No
Powder Coat Std.	Yes	Yes	Yes	Yes	Yes	Yes	No	No
Backwall Entry	NPT,NPSM, Metric	N/A	NPT	N/A	Consult Factory	N/A	NPT on XIHSB/D	NPT, Metric
Front Boss Entry	NPT,NPSM, Metric	NPT,NPSM, Metric	NPT,NPSM, Metric	NPT,NPSM, Metric	NPT,NPSM, Metric	NPT,NPSM, Metric	Yes, Hub	NPT,NPSM, Metric
Terminal Strips Through Dividing Wall	N/A	Yes, 2-12	N/A	Yes, 2-8	N/A	Yes, 2-4	N/A	N/A
Interior Mounting Means	Versatile Thickwall	Versatile Thickwall	Versatile Thickwall	Versatile Thickwall	Bosses	Versatile Thickwall	Bosses	Removable Mounting Pan
Dividing Wall Penetrate / Remove	N/A	Yes	N/A	Yes	N/A	Yes	N/A	N/A

XIH (STANDARD) SERIES

3-3/16" ID ENCLOSURES

**Certifications**

Class I, Groups B,C,D
Class II, Groups E,F,G
Class III



Class I, Zone 1, AEx d IIC
Ex d IIC



0539 @ II 2GD (Optional)
Type 4X
IP 66



4X, 7BCD, 9EFG
UL 1203
FM 3615



CSA C22.2 No. 30
UL 60079-0/UL 60079-1
CSA 60079-0/CSA 60079-1
ATEX Directive 94/9/EC
UL 50
IEC 60529
NEMA Compliance

PRODUCT INFORMATION

XIH housings are designed for small to medium size electronic assemblies. The 3-3/16" ID provides ample clearance to accommodate a wide variety of measurement and control devices. Precision machined from sand-cast copper-free aluminum.

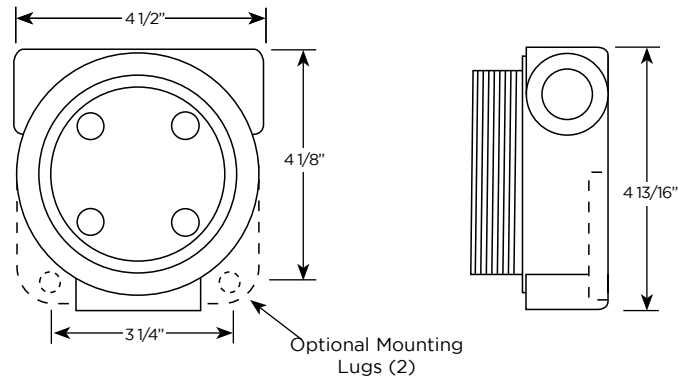
Features

- Four interior mounting bosses at 45° orientation accommodate blind tapped holes on a 2-1/2" bolt circle. Consult factory for other mounting options.
- 1/2" or 3/4" NPT conduit feed-through hubs, offset for maximum clearance and capacity
- Internal and external ground screws and tamper resistant cover set screw for extra safety
- Glass cover models have a 2-5/8" diameter, tempered glass window for local read out
- Buna-Nitrile rubber gasket for NEMA Type 4X watertight applications
- Corrosion resistant, "safety blue" polyester powder coating (other colors available)
- Stainless steel hardware

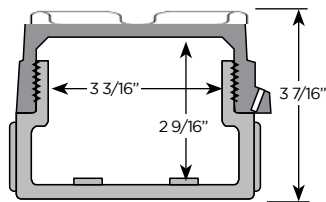
Design Options

- 1/4-20 UNC holes in front boss for bracket mounting. Consult factory for other sizes.
- Front Boss Modifications: 1/2" or 3/4" NPT entry for sensor, probe or conduit. NPSM & metric entries also available, consult factory.
- Mounting lugs with 5/16" holes (add suffix "L" to catalog number)
- Other interior mounting bosses available - please consult factory
- High ambient silicone gasket (+70°C)

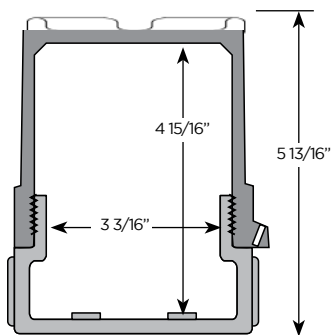
XIH (STANDARD) SERIES



Solid Cover Arrangements

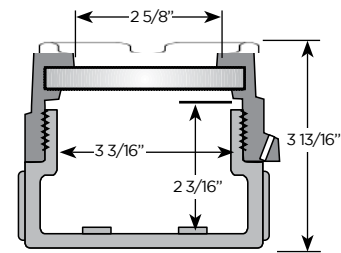


SOLID COVER	
Catalog #	Description
XIHFCX2	Flat Cover, 1/2" NPT Hubs
XIHFCX3	Flat Cover, 3/4" NPT Hubs

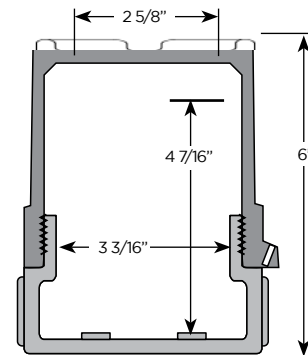


SOLID COVER	
Catalog #	Description
XIHDXC2	Dome Cover, 1/2" NPT Hubs
XIHDXC3	Dome Cover, 3/4" NPT Hubs

Glass Cover Arrangements








GLASS COVER	
Catalog #	Description
XIHFGCX2	Flat Glass Cover, 1/2" NPT Hubs
XIHFGCX3	Flat Glass Cover, 3/4" NPT Hubs



GLASS COVER	
Catalog #	Description
XIHDGXC2	Dome Glass Cover, 1/2" NPT Hubs
XIHDGXC3	Dome Glass Cover, 3/4" NPT Hubs

XIH 3-LUG3-3/16" ID ENCLOSURES
3-LUG MOUNTING**Certifications**

	Class I, Groups B,C,D	}
	Class II, Groups E,F,G	
	Class III	
	Class I, Zone 1, AEx d IIC	}
	Ex d IIC	
	0539 @ II 2GD (Optional)	
	Type 4X	}
	IP 66	
	4X, 7BCD, 9EFG	
	UL 1203	}
	FM 3615	
	CSA C22.2 No. 30	
	UL 60079-0/UL 60079-1	}
	CSA 60079-0/CSA 60079-1	
	ATEX Directive 94/9/EC	
	UL 50	
	IEC 60529	
	NEMA Compliance	

PRODUCT INFORMATION

XIH housings are designed for small to medium size electronic assemblies. The 3-3/16" ID provides ample clearance to accommodate a wide variety of measurement and control devices. Precision machined from sand-cast copper-free aluminum.

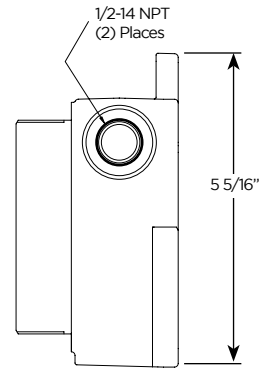
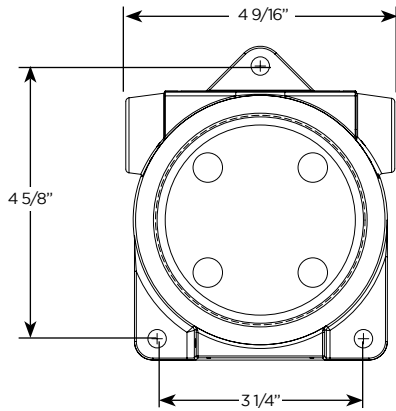
Features

- 3 factory drilled mounting lugs
- Four interior mounting bosses at 45° orientation accommodate blind tapped holes on a 2-1/2" bolt circle. Consult factory for other mounting options.
- 1/2" conduit feed-through hubs, offset for maximum clearance and capacity
- Internal and external ground screws and tamper resistant cover set screw for extra safety
- Glass cover models have a 2-5/8" diameter, tempered glass window for local read out
- Buna-Nitrile rubber gasket for NEMA Type 4X watertight applications
- Corrosion resistant, "safety blue" polyester powder coating (other colors available)
- Stainless steel hardware

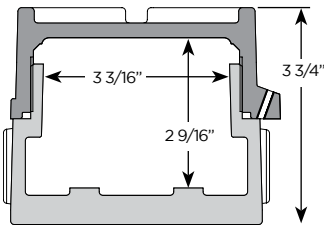
Design Options

- 1/4-20 UNC holes in front boss for bracket mounting. Consult factory for other sizes.
- Front Boss Modifications: 1/2" or 3/4" NPT entry for sensor, probe or conduit entry. NPSM & metric entries also available, consult factory.
- Other interior mounting bosses available - please consult factory
- High ambient silicone gasket (+70°C)

XIH 3-LUG

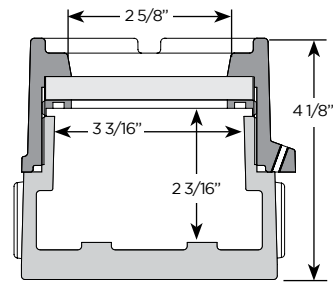


Solid Cover Arrangements

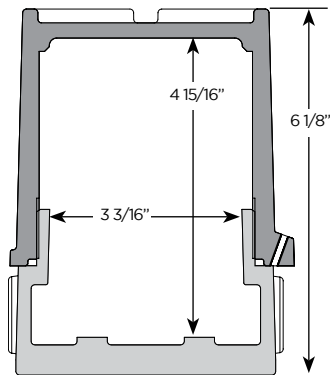


SOLID COVER	
Catalog #	Description
XIHFCX 2L-3 Lug	Flat Cover, 1/2" NPT Hubs

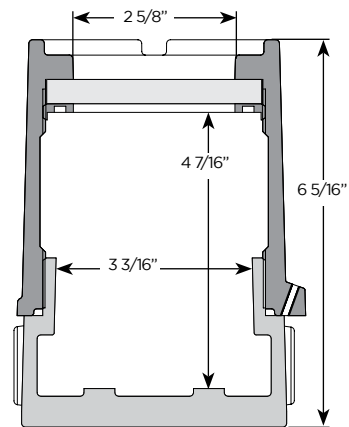
Glass Cover Arrangements



GLASS COVER	
Catalog #	Description
XIHFGCX 2L-3 Lug	Flat Glass Cover, 1/2" NPT Hubs








SOLID COVER	
Catalog #	Description
XIHDCX 2L-3 Lug	Dome Cover, 1/2" NPT Hubs



GLASS COVER	
Catalog #	Description
XIHDGCX 2L-3 Lug	Dome Glass Cover, 1/2" NPT Hubs

XDH (STANDARD) SERIES3-3/16" ID ENCLOSURES
DOUBLE-ENDED HOUSING**Certifications**

	Class I, Groups B,C,D Class II, Groups E,F,G Class III	}
	Class I, Zone 1, AEx d IIC Ex d IIC	
	0539 @ II 2GD (Optional) Type 4X IP 66	}
	4X, 7BCD, 9EFG UL 1203 FM 3615	
	CSA C22.2 No. 30 UL 60079-0/UL 60079-1 CSA 60079-0/CSA 60079-1 ATEX Directive 94/9/EC UL 50 IEC 60529 NEMA Compliance	

PRODUCT INFORMATION

XDH housings are designed to isolate incoming power connections from instrumentation. The 3-3/16" ID provides ample clearance to accommodate a wide variety of measurement and control devices, with back-to-back chambers separated by a solid, 3/8" thick wall. Precision machined from sand-cast copper-free aluminum.

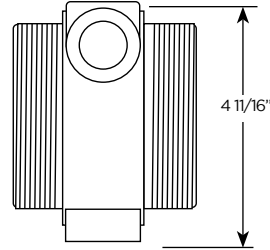
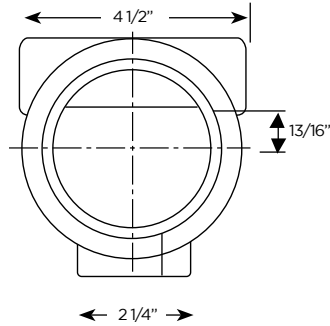
Features

- 3/4" NPT conduit feed-through hubs, offset into power side for maximum clearance and capacity
- Front boss with 3/4" NPT opening into instrument side for conduit, sensor or probe (see design options for other sizes)
- Internal and external ground screws and tamper resistant cover set screws for extra safety
- A choice of solid covers or 2-5/8" diameter tempered glass window for local read out and display
- Buna-Nitrile rubber gasket for NEMA Type 4X watertight applications
- Corrosion resistant, "safety blue" polyester powder coating (other colors available)
- Stainless steel hardware

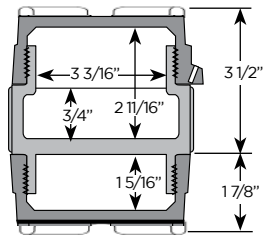
Design Options

- 2- or 4-point, power side terminal strip with sealed pass-through to instrument (add suffix "2T" or "4T" to catalog number)
- Power side (shallow side) cover options:
Flat Solid — Standard
Dome Glass — Add Suffix "A"
Flat Glass — Add Suffix "B"
Dome Solid — Add Suffix "C"
- 1/4-20 UNC holes in front boss for bracket mounting. (Consult factory for other sizes.)
- Front Boss Modifications: 1/2 NPT & various NPSM & Metric entries available in place of standard 3/4 NPT. Consult factory.
- 1/2" NPT feed-through reducers are available - add suffix "2" to catalog-number.
- High ambient silicone gasket (+70°C)

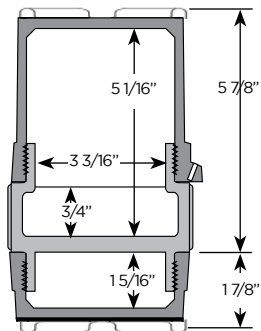
XDH (STANDARD) SERIES



Solid Cover Arrangements

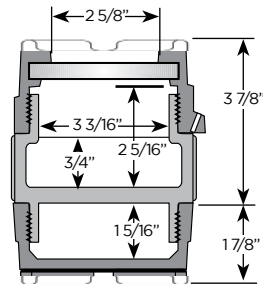


SOLID COVER	
Catalog #	Description
XDHFCX	Flat Cover, 3/4" NPT Hubs

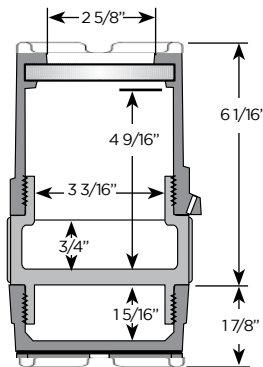


SOLID COVER	
Catalog #	Description
XDHDCX	Dome Cover, 3/4" NPT Hub

Glass Cover Arrangements



GLASS COVER	
Catalog #	Description
XDHFGCX	Flat Glass Cover, 3/4" NPT Hubs








GLASS COVER	
Catalog #	Description
XDHGDCX	Dome Glass Cover, 3/4" NPT Hubs

XIHM (MEDIUM) SERIES

3-9/16" ID ENCLOSURE (STANDARD)
 3-5/8" ID ENCLOSURE (AVAILABLE-SEE NOTE)

**Certifications**

	Class I, Groups B,C,D Class II, Groups E,F,G Class III	}
	Class I, Zone 1, AEx d IIC Ex d IIC	
	0539 @ II 2GD (Optional) Type 4X IP 66	}
	4X, 7BCD, 9EFG UL 1203 FM 3615	
	CSA C22.2 No. 30 UL 60079-0/UL 60079-1 CSA 60079-0/CSA 60079-1 ATEX Directive 94/9/EC UL 50 IEC 60529 NEMA Compliance	

PRODUCT INFORMATION

XIHM housings accommodate large diameter assemblies, multi-level circuit boards or wide angle readouts and displays. The 3-9/16" ID provides maximum clearance to facilitate instrument mounting, calibration or service. Precision machined from sandcast, copper-free aluminum.

Features

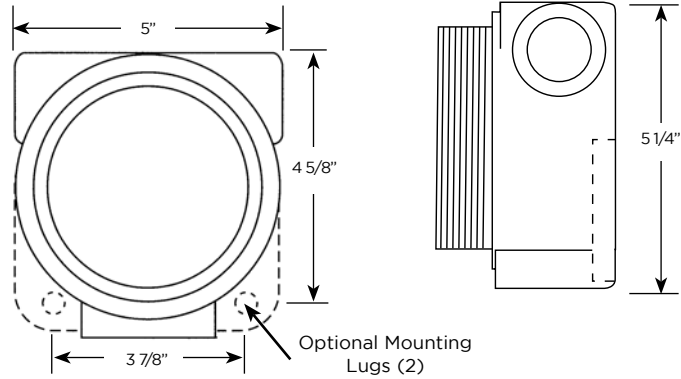
- 3/4" NPT conduit feed-through hubs offset for maximum clearance and capacity
- 7/16" thick base for blind tapped instrument mounting holes in any location
- Glass cover models have a large 2-5/8" diameter, tempered glass window for local read out
- 60° chamfer on window opening provides enhanced viewing angle
- Buna-Nitrile rubber gasket for NEMA Type 4X watertight applications
- Front boss for bracket mounting or for use as additional conduit or sensor entry
- Corrosion resistant, "safety blue" polyester powder coating (other colors available)
- Internal and external ground screws and tamper resistant cover set screw for extra safety
- Stainless steel hardware

Design Options

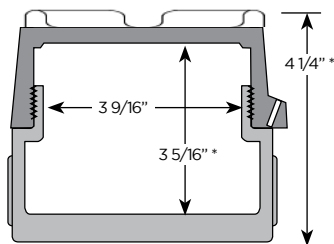
- Mounting lugs with 5/16" holes (add suffix "L" to catalog number)
- Additional small hole drilling and tapping in the backwall for mounting of instrumentation
- 1/2" NPT or 3/4" NPT opening into back wall for conduit, sensor or probe
- Front Boss Modifications: 1/2", 3/4" or 1" NPT; 1/2", 3/4" or 1" NPSM; or 20mm or 25mm for sensor, probe or conduit entry
- 1/2" NPT reducers are available - add suffix "2" to catalog-number
- 1/4-20 UNC holes in front boss for bracket mounting (Consult factory for other sizes).
- High ambient silicone gasket (+70°C)

NOTE: Throat diameter can be increased to 3 5/8" - please consult factory

XIHM (MEDIUM) SERIES

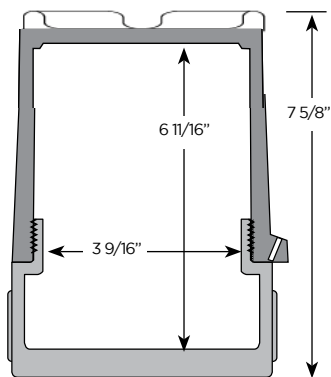


Solid Cover Arrangements



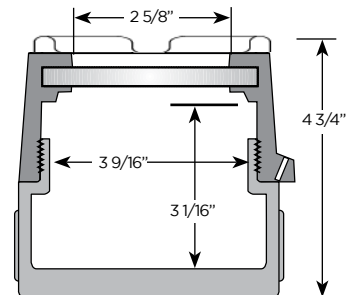
SOLID COVER	
Catalog #	Description
XIHMFCX	Flat Cover, 3/4" NPT Hubs
XIHMMCX	Mid Size Cover, 3/4" NPT Hubs

* Midsize solid cover available, add 11/16" to above dimensions

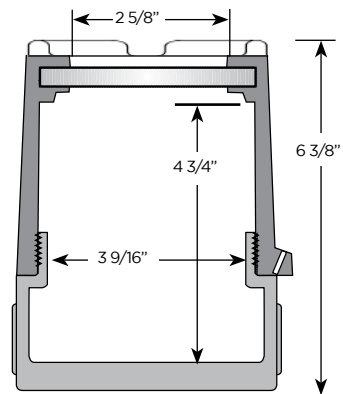


SOLID COVER	
Catalog #	Description
XIHMDCX	Dome Cover, 3/4" NPT Hubs

Glass Cover Arrangements



GLASS COVER	
Catalog #	Description
XIHMGCX	Flat Glass Cover, 3/4" NPT Hubs



GLASS COVER	
Catalog #	Description
XIHMDGCX	Dome Glass Cover, 3/4" NPT Hubs

XDHM (MEDIUM) SERIES3-5/8" ID ENCLOSURES
DOUBLE-ENDED HOUSING**Certifications**

Class I, Groups B,C,D
Class II, Groups E,F,G
Class III



Class I, Zone 1, AEx d IIC
Ex d IIC



0539 @ II 2GD (Optional)
Type 4X
IP 66



4X, 7BCD, 9EFG
UL 1203
FM 3615



CSA C22.2 No. 30
UL 60079-0/UL 60079-1
CSA 60079-0/CSA 60079-1
ATEX Directive 94/9/EC
UL 50
IEC 60529
NEMA Compliance

PRODUCT INFORMATION

XDHM housings are designed to isolate incoming power connections from instrumentation.

The 3-5/8" ID provides maximum clearance to facilitate instrument mounting, calibration or service, with back-to-back chambers separated by a solid, 1/2" thick wall. Precision machined from sand-cast, copper-free aluminum.

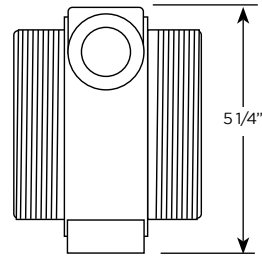
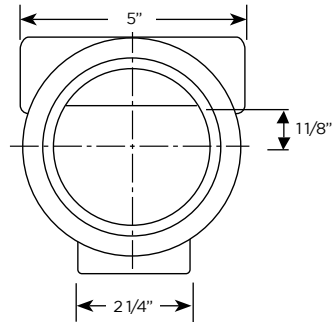
Features

- 3/4" NPT conduit feed-through hubs, offset into power side for maximum clearance and capacity
- Front boss with 3/4" NPT opening into instrument side for conduit, sensor or probe (see design options for other sizes)
- Internal and external ground screws and tamper resistant cover set screws for extra safety
- A choice of solid covers or 2-5/8" diameter tempered glass window for local read out and display
- 60° chamfer on window opening provides enhanced viewing angle
- Buna-Nitrile rubber gasket for NEMA Type 4X watertight applications
- Corrosion resistant, "safety blue" polyester powder coating (other colors available)
- Stainless steel hardware

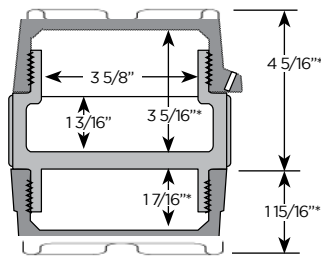
Design Options

- 2- to 8-point, power side terminal strip with sealed pass-through to instrument (add suffix "2T", "4T", "6T" or "8T" to catalog number)
- Internal wall can be modified (Drilled & Tapped) to suit design needs, or be completely removed and still maintain approvals. Please consult factory.
- Power side (shallow side) cover options:
Flat Solid — Standard
Dome Glass — Add Suffix "A"
Flat Glass — Add Suffix "B"
Dome Solid — Add Suffix "C"
Midsize Solid — Add Suffix "D"
- Front Boss Modifications: 1/2", 3/4" or 1" NPT; 1/2", 3/4" or 1" NPSM; or 20mm or 25mm opening modify for sensor, probe or conduit entry
- 1/2" NPT reducers are available - add suffix "2" to catalog-number
- 1/4-20 UNC holes in front boss for bracket mounting. (Consult factory for other sizes.)
- High ambient silicone gasket (+70°C)

XDHM (MEDIUM) SERIES

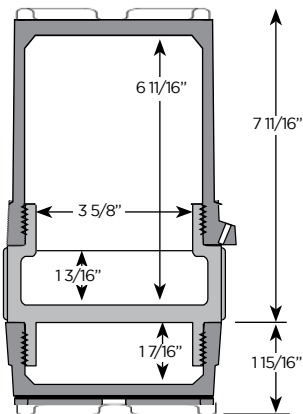


Solid Cover Arrangements



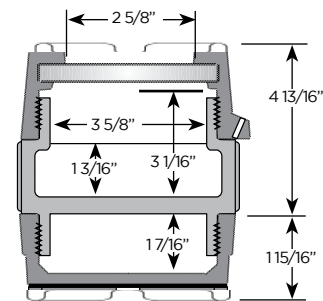
SOLID COVER	
Catalog #	Description
XDHMF CX	Flat Cover, 3/4" NPT Hubs
XDHMMCX	Mid Size Cover, 3/4" NPT Hubs

* Midsize solid cover available - add 11/16" to above dimensions.

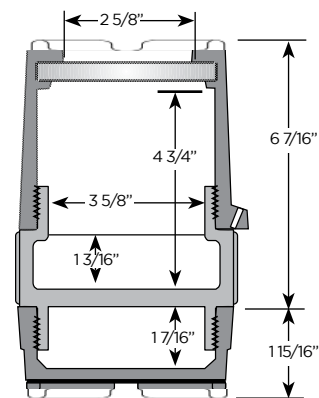


SOLID COVER	
Catalog #	Description
XDHMDCX	Dome Cover, 3/4" NPT Hubs

Glass Cover Arrangements



GLASS COVER	
Catalog #	Description
XDHMFGCX	Flat Glass Cover, 3/4" NPT Hubs



GLASS COVER	
Catalog #	Description
XDHMDGCX	Dome Glass Cover, 3/4" NPT Hubs

XIHL (LARGE) SERIES

4" ID ENCLOSURES

**Certifications**

Class I, Groups B,C,D
Class II, Groups E,F,G
Class III



Class I, Zone 1, AEx d IIC
Ex d IIC



0539 Ⓢ II 2GD (Optional)
Type 4X
IP 66



4X, 7BCD, 9EFG
UL 1203
FM 3615



CSA C22.2 No. 30
UL 60079-0/UL 60079-1
CSA 60079-0/CSA
60079-1

ATEX Directive 94/9/EC
UL 50

IEC 60529

NEMA Compliance

PRODUCT INFORMATION

XIHL housings accommodate large diameter assemblies, multi-level circuit boards or wide angle readouts and displays. The 4" ID provides maximum clearance to facilitate instrument mounting, calibration or service. Precision machined from sand-cast copper-free aluminum.

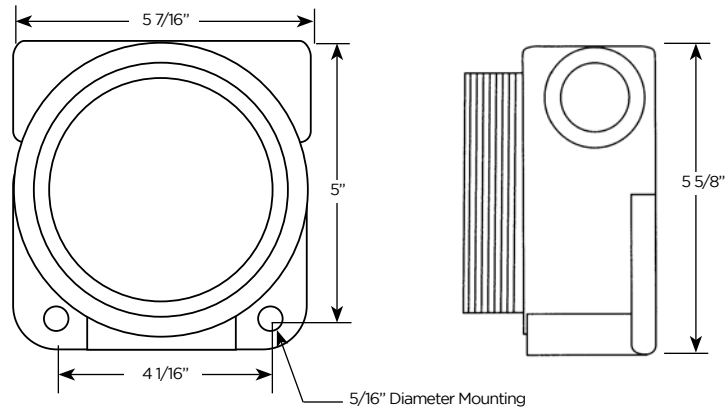
Features

- 3/4" NPT conduit feed-through hubs offset for maximum clearance and capacity
- 1/2" thick base for blind tapped instrument mounting holes in any location
- Glass cover models have a large 3-5/16" diameter, tempered glass window for local read out
- Buna-Nitrile rubber gasket for NEMA Type 4X watertight applications
- Corrosion resistant, "safety blue" polyester powder coating (other colors available)
- Internal and external ground screws and tamper resistant cover set screw for extra safety
- Stainless steel hardware

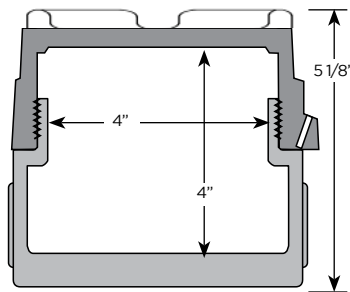
Design Options

- Four 1 4-20 UNC holes in front boss for bracket mounting
- Front Boss and Backwall Modifications: 1 2" to 1" NPT, 1 2" to 3 4" NPSM or 20 mm for sensor, probe or conduit entry. Consult factory for other sizes.
- 1 2" NPT reducers are available - add suffix "2" to catalog-number
- High ambient silicone gasket (+70°C)

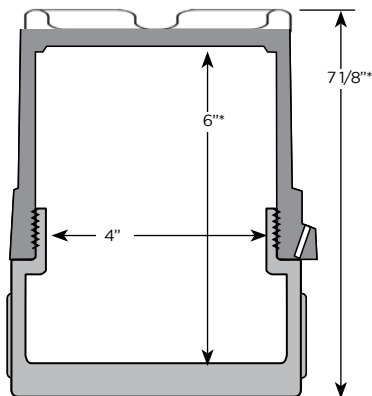
XIHL (LARGE) SERIES



Solid Cover Arrangements



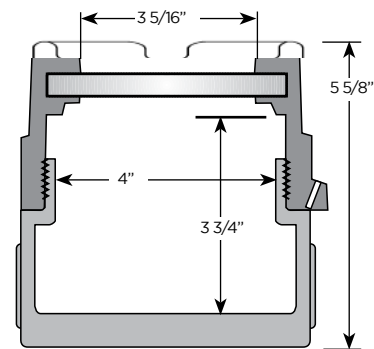
SOLID COVER	
Catalog #	Description
XIHLFCX	Flat Cover, 3/4" NPT Hubs



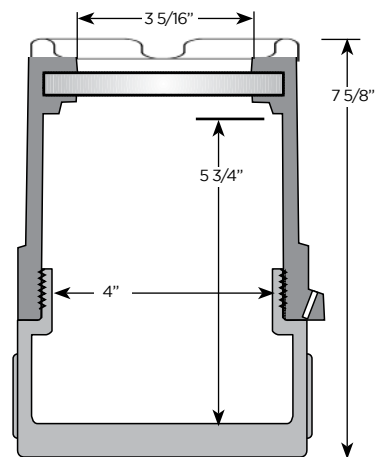
SOLID COVER	
Catalog #	Description
XIHLDCX	Dome Cover, 3/4" NPT Hubs
XIHLECX	Extended dome cover

* Extended dome height cover available, add 15/16" to dimensions

Glass Cover Arrangements








GLASS COVER	
Catalog #	Description
XIHLFGCX	Flat Glass Cover, 3/4" NPT Hubs



GLASS COVER	
Catalog #	Description
XIHLDCGX	Dome Glass Cover, 3/4" NPT Hubs

XDHL (LARGE) SERIES4" ID ENCLOSURES
DOUBLE-ENDED HOUSING**Certifications**

	Class I, Groups B,C,D	}
	Class II, Groups E,F,G	
	Class III	
	Class I, Zone 1, AEx d IIC	}
	Ex d IIC	
	0539 @ II 2GD (Optional)	}
	Type 4X	
	IP 66	
	4X, 7BCD, 9EFG	}
	UL 1203	
	FM 3615	
	CSA C22.2 No. 30	}
	UL 60079-0/UL 60079-1	
	CSA 60079-0/CSA 60079-1	
	ATEX Directive 94/9/EC	
	UL 50	
	IEC 60529	
	NEMA Compliance	

PRODUCT INFORMATION

XDHL housings are designed to isolate incoming power connections from instrumentation. The 4" ID provides maximum clearance to facilitate instrument mounting, calibration or service, with back-to-back chambers separated by a solid, 1/2" thick wall. Precision machined from sand-cast, copper-free aluminum.

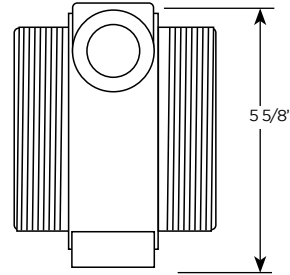
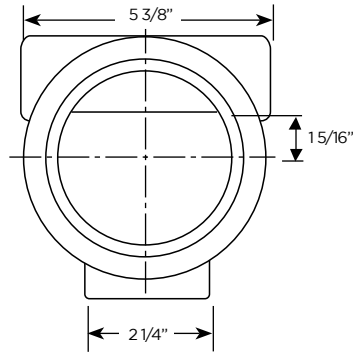
Features

- 3/4" NPT conduit feed-through hubs, offset into power side for maximum clearance and capacity
- Front boss with 3/4" NPT opening into instrument side for conduit, sensor or probe (see design options for other sizes)
- Internal and external ground screws and tamper resistant cover set screws for extra safety
- A choice of solid covers or 3-5/16" diameter tempered glass window for local read out and display
- Buna-Nitrile rubber gasket for NEMA Type 4X watertight applications
- Corrosion resistant, "safety blue" polyester powder coating (other colors available)
- Stainless steel hardware

Design Options

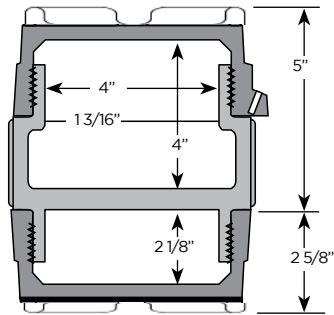
- 2- to 12-point, power side terminal strip with sealed pass-through to instrument (add suffix "2T", "4T", "6T", "8T", "10T" or "12T" to catalog number)
- Internal wall can be modified (Drilled & Tapped) to suit design needs, or be completely removed and still maintain approvals. Please consult factory.
- Power side (shallow side) cover options:
Flat Solid — Standard
Dome Glass — Add Suffix "A"
Flat Glass — Add Suffix "B"
Dome Solid — Add Suffix "C"
- Front Boss Modifications: 1/2", 3/4" or 1" NPT; 1/2", 3/4" or 1" NPSM; or 20mm, 25mm or 30mm entry for sensor, probe or conduit
- 1/2" NPT reducers are available - add suffix "2" to catalog-number
- Four 1/4-20 UNC holes in front boss for bracket mounting. (Consult factory for other sizes)
- High ambient silicone gasket (+70°C)

XDHL (LARGE) SERIES

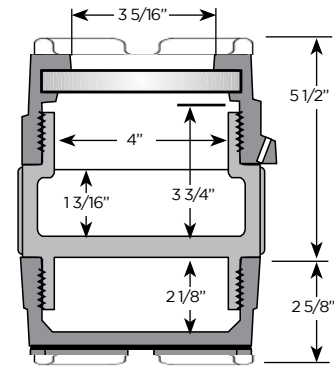


Solid Cover Arrangements

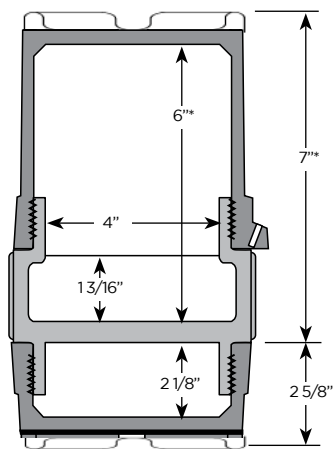
Glass Cover Arrangements



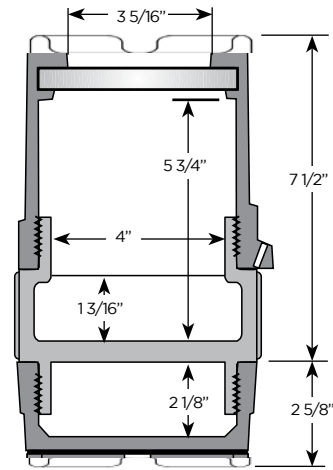
SOLID COVER	
Catalog #	Description
XDHLFCX	Flat Cover, 3/4" NPT Hubs



GLASS COVER	
Catalog #	Description
XDHLFGCX	Flat Glass Cover, 3/4" NPT Hubs



SOLID COVER	
Catalog #	Description
XDHLDCX	Dome Cover, 3/4" NPT Hubs
XDHLECX	Extended dome cover, 3/4" NPT Hubs



GLASS COVER	
Catalog #	Description
XIHLGDCX	Dome Glass Cover, 3/4" NPT Hubs












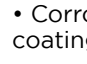






* Extended height cover available, add 15/16" to dimensions

XIHS (SMALL) SERIES

2-5/8" ID ENCLOSURES



Certifications

-  Class I, Groups B,C,D
-  Class II, Groups E,F,G
-  Class III
-  Class I, Zone 1, AEx d IIC
-  Ex d IIC
-  0539 Ⓢ II 2GD (Optional)
-  Type 4X
-  IP 66
-  4X, 7BCD, 9EFG
-  UL 1203
-  FM 3615
-  CSA C22.2 No. 30
-  UL 60079-0/UL 60079-1
-  CSA 60079-0/CSA 60079-1
-  ATEX Directive 94/9/EC
-  UL 50
-  IEC 60529
-  NEMA Compliance

PRODUCT INFORMATION

XIHS housings are designed to accommodate small instruments or devices. The 2-5/8" ID enclosure is offered in six different conduit configurations and a choice of cover arrangements. Precision machined from sand-cast, copper-free aluminum.

Features

- 1/2", 3/4" or 1" NPT conduit feed-through hubs for power
- Internal ground screw
- Interior instrument mounting bosses that accommodate blind tapped holes on a 2" bolt circle
- Glass cover arrangements with a 1-1/8" diameter tempered glass window for local read out
- Buna-Nitrile rubber gasket for NEMA Type 4X watertight applications
- Tumbled, natural aluminum finish

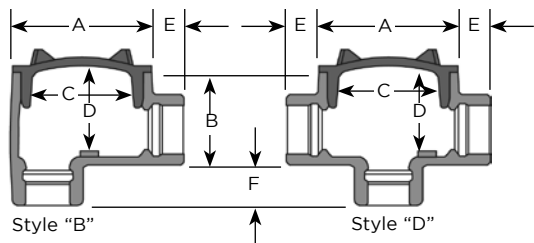
Design Options

- Corrosion resistant, "safety blue" polyester powder coating (other colors available)

XIHS (SMALL) SERIES

COVER ARRANGEMENTS						
Base Styles	Catalog #	Conduit Size	Catalog #	Conduit Size	Catalog #	Conduit Size
B	XIHSBFC2	1/2" NPT	XIHSBDC2	1/2" NPT	XIHSBDGC2	1/2" NPT
	XIHSBFC3	3/4" NPT	XIHSBDC3	3/4" NPT	XIHSBDGC3	3/4" NPT
	XIHSBFC4	1" NPT	XIHSBDC4	1" NPT	XIHSBDGC4	1" NPT
C	XIHSCFC2	1/2" NPT	XIHSCDC2	1/2" NPT	XIHSCDGC2	1/2" NPT
	XIHSCFC3	3/4" NPT	XIHSCDC3	3/4" NPT	XIHSCDGC3	3/4" NPT
	XIHSCFC4	1" NPT	XIHSCDC4	1" NPT	XIHSCDGC4	1" NPT
D	XIHSDFC3	3/4" NPT	XIHSDDC3	3/4" NPT	XIHSDDGC3	3/4" NPT
	XIHSDFC4	1" NPT	XIHSDDC4	1" NPT	XIHSDDGC4	1" NPT
L	XIHSLFC2	1/2" NPT	XIHSLDC2	1/2" NPT	XIHSLDGC2	1/2" NPT
	XIHSLFC3	3/4" NPT	XIHSLDC3	3/4" NPT	XIHSLDGC3	3/4" NPT
	XIHSLFC4	1" NPT	XIHSLDC4	1" NPT	XIHSLDGC4	1" NPT
T	XIHSTFC2	1/2" NPT	XIHSTDC2	1/2" NPT	XIHSTDGC2	1/2" NPT
	XIHSTFC3	3/4" NPT	XIHSTDC3	3/4" NPT	XIHSTDGC3	3/4" NPT
	XIHSTFC4	1" NPT	XIHSTDC4	1" NPT	XIHSTDGC4	1" NPT
X	XIHSXFC2	1/2" NPT	XIHSXDC2	1/2" NPT	XIHSXDGC2	1/2" NPT
	XIHSXFC3	3/4" NPT	XIHSXDC3	3/4" NPT	XIHSXDGC3	3/4" NPT
	XIHSXFC4	1" NPT	XIHSXDC4	1" NPT	XIHSXDGC4	1" NPT
Y	XIHSYFC23	ONE 1/2" NPT	XIHSYDC23	ONE 1/2" NPT	XIHSYDGC23	ONE 1/2" NPT
		ONE 3/4" NPT		ONE 3/4" NPT		ONE 3/4" NPT

Note: Above dimensions are for 1/2" and 3/4" NPT. For 1" NPT housings, add 5/16" to height dimensions



Conduit Size	A	B	C	D	E	F
1/2	3 1/2	2-1/16	2-5/8	1-11/16	7/8	7/8
3/4	3 1/2	2-1/16	2-5/8	1-11/16	7/8	7/8
1	3 1/2	2-3/8	2-5/8	2	1	1

XIHN SERIES

4-1/16" ID ENCLOSURES

**Certifications**

Classified
Class I, Div 1 Groups B,C,D
Class II, Div 1 Groups E,F,G



Class III
NEMA Type 4X



Class I Zone 1 AEx d IIC
Ex d IIC (Canada)
ATEX (Optional)



DEMKO 07 ATEX 0622294U (Optional)
0539 II 2 G Ex d IIC Gb (Optional)
0539 II 2 D Ex tb IIIC Db IP66 (Optional)



IECEX (Optional)
IECEX UL 08.0005U (Optional)
Ex d IIC Gb (Optional)
Ex tb IIIC Db IP66 (Optional)

Standard Ambient Temp. Range:
-34°C T_a $+100^\circ\text{C}$

Optional Ambient Temp. Range:
-50°C T_a $+100^\circ\text{C}$

Note: An extended temperature range applies to ATEX and IECEX ratings only (-50°C to +85°C ambient).

PRODUCT INFORMATION

Designed to house circuit boards, meters, and instrumentation, Adalet die-cast aluminum housings provide rugged protection for measurement and detection applications in corrosive, hazardous areas. The XIHN series die-cast aluminum instrument enclosures are ideal for housing and protecting OEM measurement and sensing devices in harsh or hazardous environments.

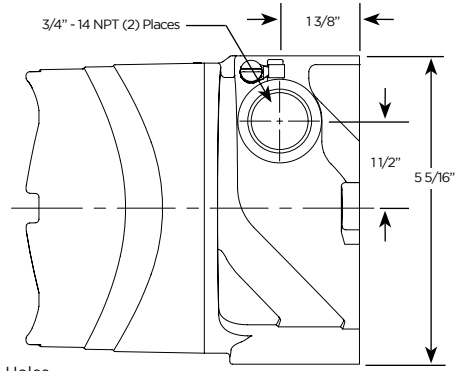
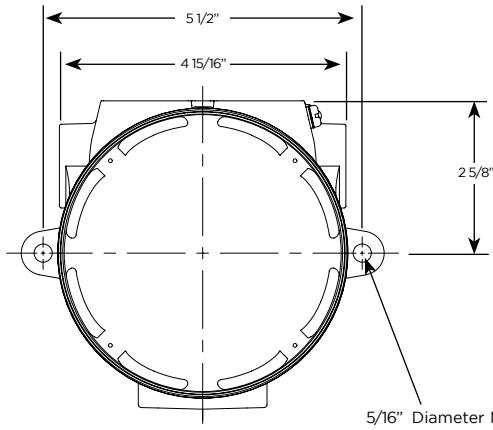
Features

- Modern contour design provides updated look for OEM instrument products
- Die-casting provides superior finish
- Removable mounting panel for convenient field drilling & tapping of mounting holes
- Up to four conduit entries / Two 1" NPT conduit entries are standard
- Two cast-on centered mounting tabs
- Generous front boss allows for optional bracket holes or larger conduit entry (up to 1" NPT)
- Glass covers feature low profile / tab free retaining ring for maximum instrument clearance
- Two solid and two glass cover choices to accommodate various depth instruments
- Bored throat opening provides superior concentricity - 4-1/16" diameter
- Glass covers feature 3-5/16" viewing window diameter
- Internal / external grounding hardware
- Global certifications: UL, cUL, ATEX, and IECEX

Design Options

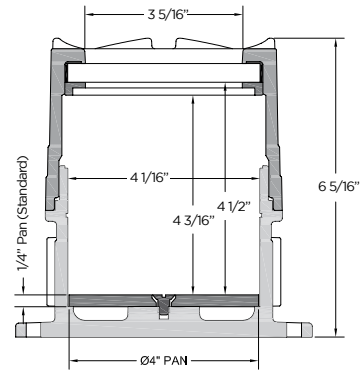
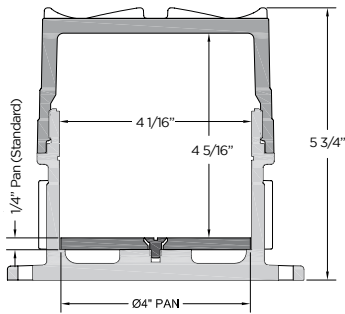
- 1/4"-20 UNC holes in front boss for bracket mounting
- Front boss modifications: 1/2", 3/4" or 1" NPT and various NPSM and metric entries
- 1/2" NPT reducers available (add suffix "2" to catalog number)
- Custom drilling & tapping in mounting pan
- Backwall NPT entry in lieu of mounting pan

XIHN SERIES



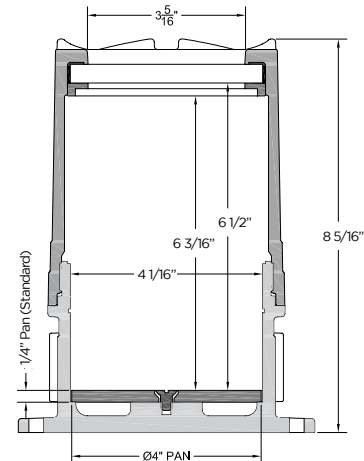
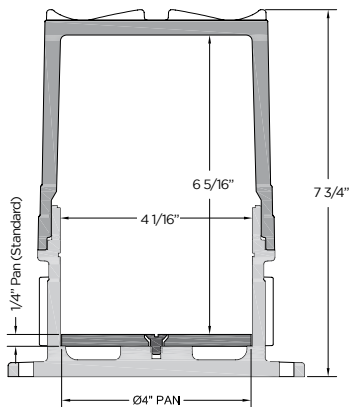
Solid Cover Arrangements

Glass Cover Arrangements



SOLID COVER	
Catalog #	Description
XIHNFCX	Flat Cover 3/4" NPT Hubs

GLASS COVER	
Catalog #	Description
XIHNFGCX	Flat Glass Cover 3/4" NPT Hubs



SOLID COVER	
Catalog #	Description
XIHNDCX	Dome Cover 3/4" NPT Hubs

GLASS COVER	
Catalog #	Description
XIHNDCGX	Dome Glass Cover 3/4" NPT Hubs

XIHNS SERIES4-1/16" ID ENCLOSURES
STAINLESS STEEL**Certifications**

Classified
Class I, Div 1 Groups B,C,D
Class II, Div 1 Groups E,F,G



Class III
NEMA Type 4X



UL 1203
CSA C22.2 No. 30
CSA C22.2 No. 25



II 2G Ex d IIC (Optional)
II 2D Ex tD A20 (Optional)



IP66 (Optional)
IECEX (Optional)
Ex d IIC (Optional)

IP66 (Optional)

EN60079-0

EN60079-1

EN61241-0

EN61241-1

EN60529

IEC60079-0

IEC60079-1

IEC60529

PRODUCT INFORMATION

The new XIHNS next generation stainless steel, explosionproof instrument enclosure features a new, updated design and various features, options and approvals. The 316L investment cast, stainless steel housing is ideal for rugged or explosionproof applications where severe corrosion exists. The modern, contour design provides an updated look for OEM applications housing sensitive instrumentation such as measurement devices, transmitters, multi-level circuit boards, or wide angle readouts and displays.

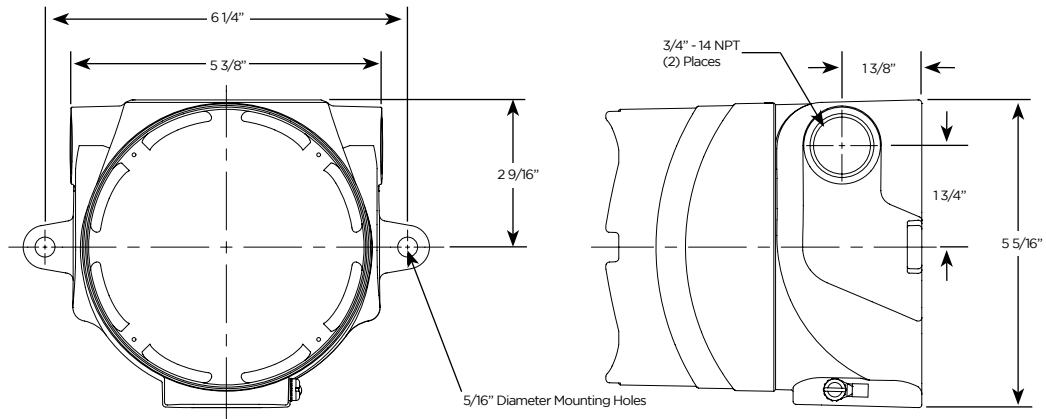
Features

- Modern contour design provides updated look for OEM instrument products
- Investment casting provides superior finish
- Removable internal mounting panel for convenient field drilling & tapping of mounting holes
- Up to five conduit entries - most on the market / Three 1/2" NPT conduit entries are standard
- Two cast-on mounting tabs, centered, with an optional 3rd tab for heavy vibration applications
- Generous front boss allows for optional bracket holes or larger conduit entry (up to 1-1/4" NPT)
- Bored throat opening provides superior concentricity - 4" diameter
- Two solid and two glass covers are available to accommodate various depth instruments.
- Glass covers feature 3.31" viewing window diameter
- Glass covers feature low profile / tab free retaining ring for maximum instrument clearance
- Internal / external grounding hardware
- Global certifications: UL, cUL, ATEX, and IECEx

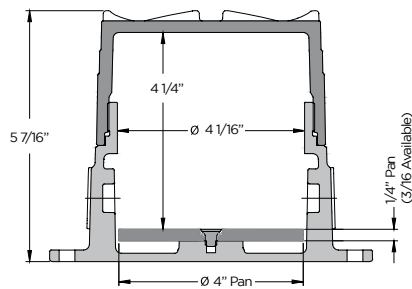
Design Options

- 1/4"-20 UNC holes in front boss for bracket mounting
- Front boss modifications: 1/2", 3/4" or 1" NPT and various NPSM & metric entries
- 1/2" NPT reducers available (add suffix "2" to catalog number)
- Custom drilling & tapping in mounting pan
- Backwall NPT entry in lieu of mounting pan

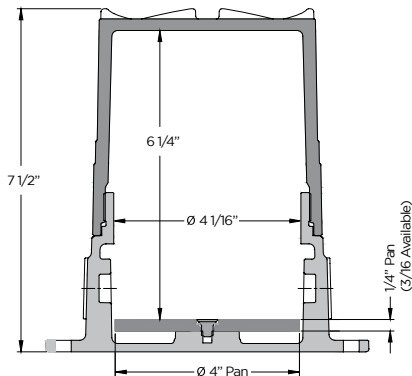
XIHNS SERIES



Solid Cover Arrangements

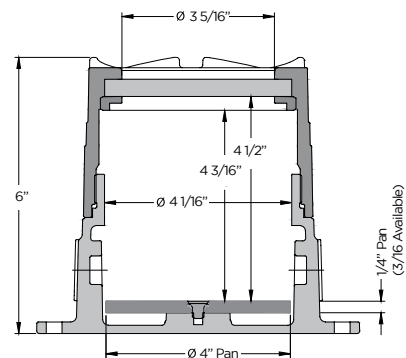


SOLID COVER	
Catalog #	Description
XIHNSFCX	Flat Cover 3/4" NPT Hubs

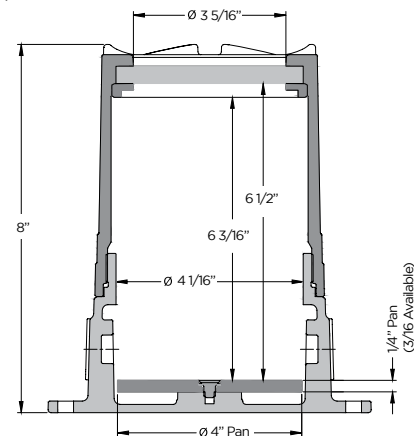


SOLID COVER	
Catalog #	Description
XIHNSDCX	Dome Cover 3/4" NPT Hubs

Glass Cover Arrangements



GLASS COVER	
Catalog #	Description
XIHNSFGCX	Flat Glass Cover 3/4" NPT Hubs



GLASS COVER	
Catalog #	Description
XIHNSDGCX	Dome Glass Cover 3/4" NPT Hubs