

BALL VALVE

AL 35-77

Description

AL 35-77 is a three-piece ball valve in stainless steel with full bore and mounting plate according to ISO 5211. Manual operation with hand lever and spring-loaded stem washer or optional with direct mounted actuator. Unique triple-sealing stem seal for long and reliable operation.

Applications: Shut-off valve for industrial applications with neutral to aggressive liquids and gases.

Marking: The valve is marked AL 35-77.
Connection: Thread
 Weld
 Extended butt weld integrated
 Extended butt weld welded pipe mm or ISO
Pressure class: PN 63 - DN 10-50
 PN 40 - DN 65-100
Pressure: 40-63 bar
Temperature: -20°+180°C (see pressure/temperature diagramme)

Approvals

- CE/PED 97/23/EC Category III, Module H (not required below DN 32)
- ATEX 94/9/CE

Installation

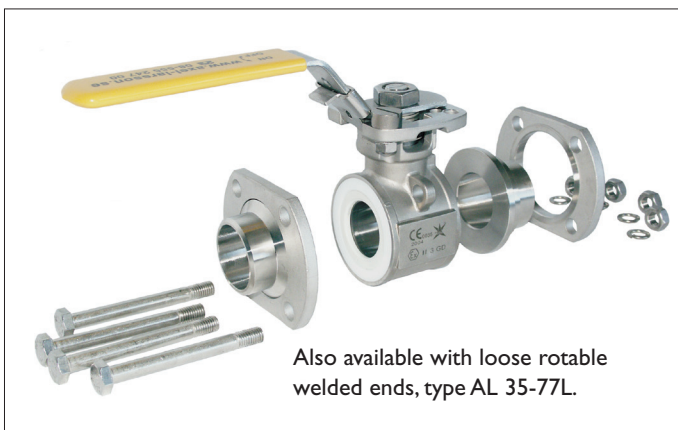
The valve can be installed in horizontal and vertical lines. The valve is maintenance free but should be operated at regular intervals depending on the installation.

Welding with short ends: - open valve - spot weld - remove the valve body - finish weld - cool - reassemble. See separate manual for more detailed instructions.

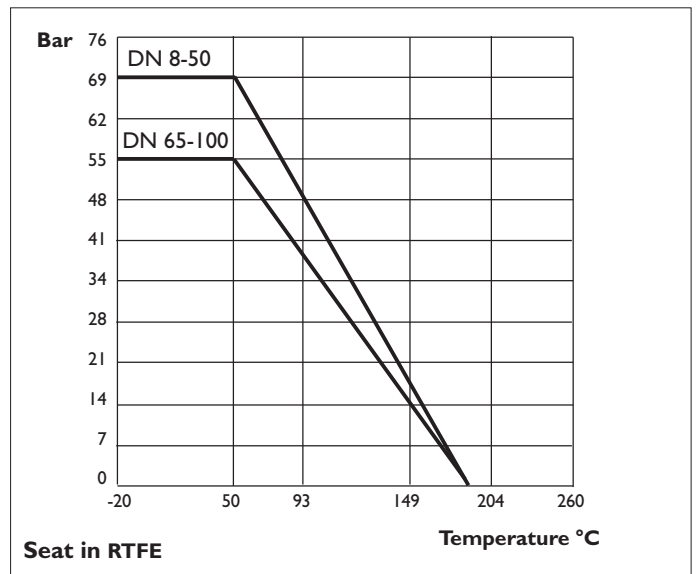
Optional

- Extended butt weld - see separate leaflet
- Rotable welded ends - see separate leaflet
- NPT thread
- Limit switch
- Spring return hand lever
- Elektric actuator
- Pneumatic actuator

Rotable welded ends - AL 35-77L



Pressure / Temperature



Actuator sizing

Media clean water 20°C and 16 bar, safety factor 30%. Supply air 6 bar.

Valve DN	Torque Nm	AL 77		AL 78	AL 79	
		DA	SR	Electr.	DA	SR
8	7	210-DA	210-SR	003	045U-DA	101U-SR
10	7	210-DA	210-SR	003	045U-DA	101U-SR
15	7	210-DA	210-SR	003	045U-DA	101U-SR
20	8	210-DA	210-SR	003	045U-DA	101U-SR
25	14	210-DA	210-SR	003	051U-DA	101U-SR
32	20	210-DA	220-SR	003	101U-DA	201U-SR
40	29	210-DA	220-SR	005	101U-DA	201U-SR
50	39	220-DA	230-SR	005	101U-DA	251U-SR
65	71	230-DA	240-SR	009	251U-DA	301U-SR
80	127	230-DA	250-SR	015	301U-DA	451U-SR
100	174	240-DA	250-SR	019	351U-DA	451U-SR

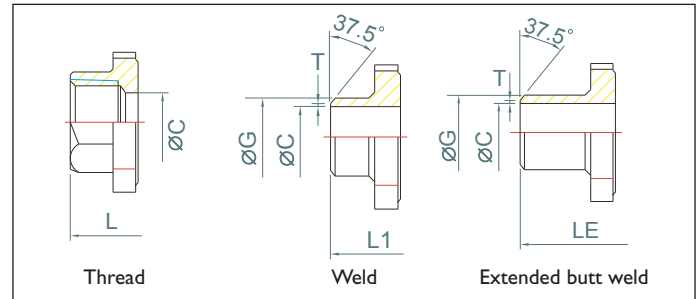
BALL VALVE

AL 35-77

Material specification / Dimensions

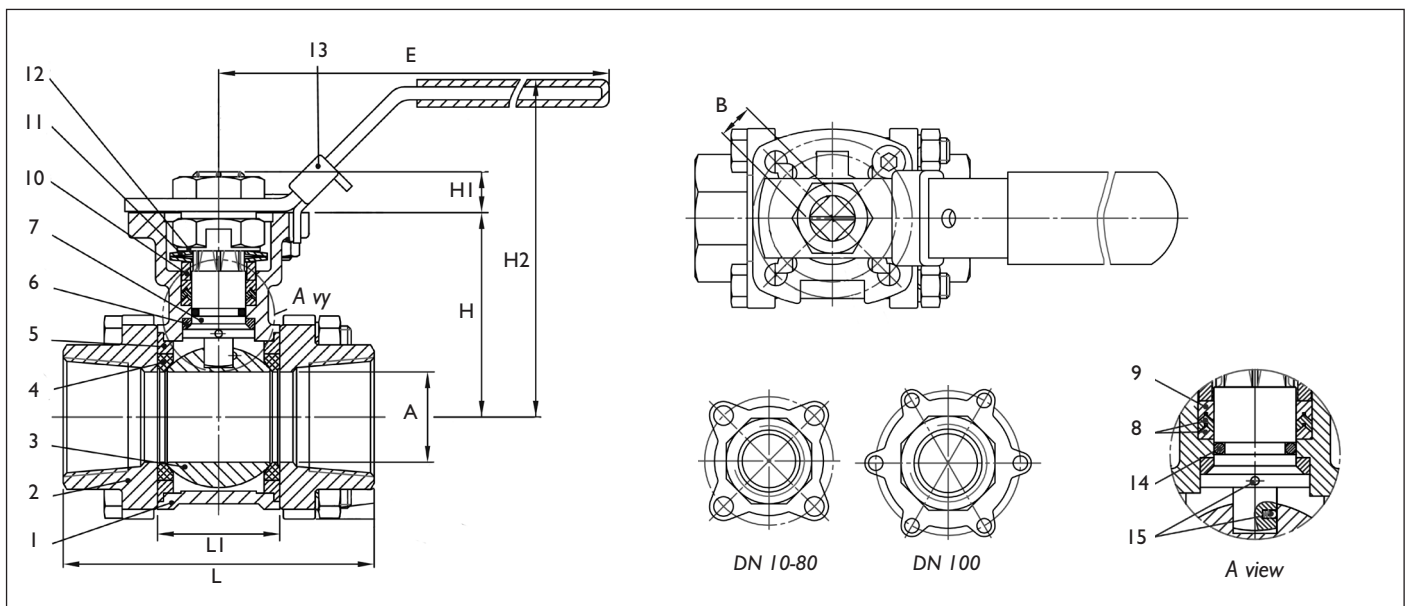
Pos	Part	Material
1	Body	Stainless steel CF8M
2	End cap	Stainless steel CF8M (weld CF3M)
3	Ball	Stainless steel 316
4	Seat	RTFE
5	Joint gasket	PTFE
6	Stem seal lower	RTFE
7	Stem	Stainless steel 316
8	Stem seal V-shaped	PTFE
9	Stem seal upper	RTFE
10	Gland	Stainless steel 304
11	Belleville washer	Stainless steel 301
12	Stop washer	Stainless steel 304
13	Lockable hand lever*	Stainless steel 304
14	Stem seal O-ring	Viton
15	Antistatic device	Stainless steel 316

* Lockable with padlock



DN	ØC	ØG	T	L	LI	LE		LI
						Integrated	Welded*	(AL 35-77L) Rotable weld ends*
10	12,7	17,5	1,6	64	64	-	264	70
15	15	22,7	1,6	66	66	225	266	70
20	20	27,5	1,6	76	76	225	276	85
25	25	34	1,6	86	86	245	286	100
32	32	42,7	1,6	103	103	255	303	110
40	38	48,6	1,6	119	119	260	319	125
50	50	60,5	1,6	131	131	275	331	150
65	65	76,3	2,0	-	164	334	364	-
80	80	90	2,0	-	183	354	383	-
100	100	116	3,5	-	236	365	436	-

* Pipe dimension according to request.



DN	A	L	LI	H	HI	H2	E	B	ISO 5211	Kv	Weight, kg
10	12,7	64	23,6	42	6,1	77	139	9	F03/F04	8	0,6
15	15	66	23,6	42	6,1	77	139	9	F03/F04	15	0,6
20	20	76	28	48	6,6	83	139	9	F03/F04	34	0,8
25	25	86	33,9	57	10,9	96	165	11	F04/F05	56	1,1
32	32	103	42,5	61	10,9	100	165	11	F04/F05	85	1,8
40	38	119	53,2	77	13,9	127	215	14	F05/F07	125	2,7
50	50	131	64,6	85	13,9	134	215	14	F05/F07	250	3,7
65	65	164	87	109	16,8	168	263	17	F07/F10	320	7,4
80	80	183	99	118	17,8	176	313	17	F07/F10	580	10,7
100	100	236	127	133	17,8	191	344	17	F07/F10	1020	20,1

AXEL LARSSON

Telephone +46 10 455 97 00 • sales@axel-larsson.se • www.axel-larsson.se

STOCKHOLM | GÖTEBORG | MOTALA | KARLSTAD | FALUN | SKELLEFTÅ

Head Office: Truckvägen 12, P.O. Box 805, SE-194 28 Upplands Väsby (Stockholm), Sweden.