

BE1-11 DIGITAL PROTECTION SYSTEM: ONE POWERFUL AND INTUITIVE PRODUCT FOR MANY APPLICATIONS

**KEEP CONTROL
OF YOUR SYSTEM
WITH BE1-11
EASY SETTINGS**

The BE1-11 digital protection system is designed with many features to address reliability issues that can arise from programming complexity.

Correctly setting a protection system has never been easier than with the BE1-11. With BESTspace™ files, multiple BESTlogic™ Plus preprogrammed logic schemes and associated application notes, you can be confident your protection is configured correctly.

Visit www.basler.com for technical resources



	FEEDER	GENERATOR	INTERTIE	MOTOR	TRANSFORMER
	BE1-11f	BE1-11g	BE1-11i	BE1-11m	BE1-11t
	Distribution feeder protection, control, monitoring, and metering, plus directional and nondirectional overcurrent, feeder management, load-shedding, and reclosing functions for industrial and utility feeders and bus applications. Enhanced feeder option available.	Generator protection, control, monitoring, and metering for applications including power plants, backup generation, portable power, and distributed generation. Differential and synchronizer options available.	Intertie protection, control, monitoring, and metering for the point of common coupling (PCC) between non-utility distributed generation and the electric utility. Meets IEEE 1547-2003 Intertie Protection Standard.	Complete motor protection, control, monitoring, and metering for induction and synchronous motors. Provides functions needed to monitor and control normal and emergency start operation. Differential and RTD options available.	Protection, control, monitoring, and metering for two-winding transformers. Differential and extensive frequency protection for generation step-up and distribution feeder step-down intertie and network transformers included. Enhanced transformer option available.
Communications options shared by each application					
IEC 61850 Modbus™ DNP3 Ethernet					
Elements shared by each application					
BESTCOMSPlus® 27 43 46 47 49 RTD 50 51 59 60 62 81 86 101 BF Analog I/O SEF					
	BE1-11f specific elements	BE1-11g specific elements	BE1-11i specific elements	BE1-11m specific elements	BE1-11t specific elements
	21 24 25 32 67 79	21 24 25 25A 32 40 64G 67 78OOS 78V 87* 87N*	24 25 32 67 79 78V	32 37 48 49TC 55 66 87	21 24 25 51TF 67 79 87 87N
		<small>*Options only available in J-case.</small>		<small>Only available in J-case.</small>	<small>Only available in J-case.</small>

00 Standard feature 00 Optional feature

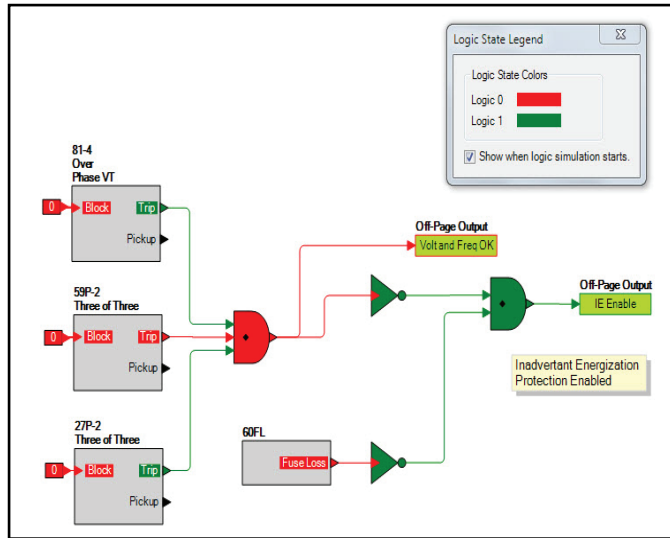
Worldwide Headquarters
Highland, Illinois USA
Tel.: +1 618 654 2341
info@basler.com

Basler Electric®
www.basler.com

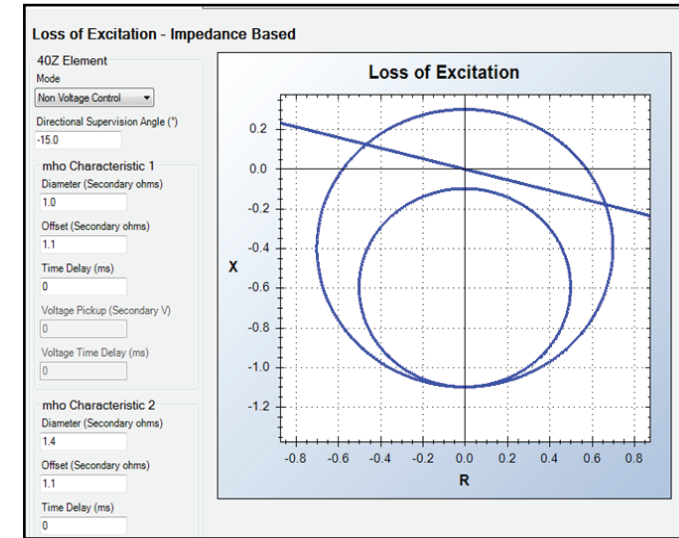
Suzhou, P.R. China
Tel.: +86 512 8227 2888
chinainfo@basler.com

Singapore
Tel.: +65 68 44 6445
singaporeinfo@basler.com

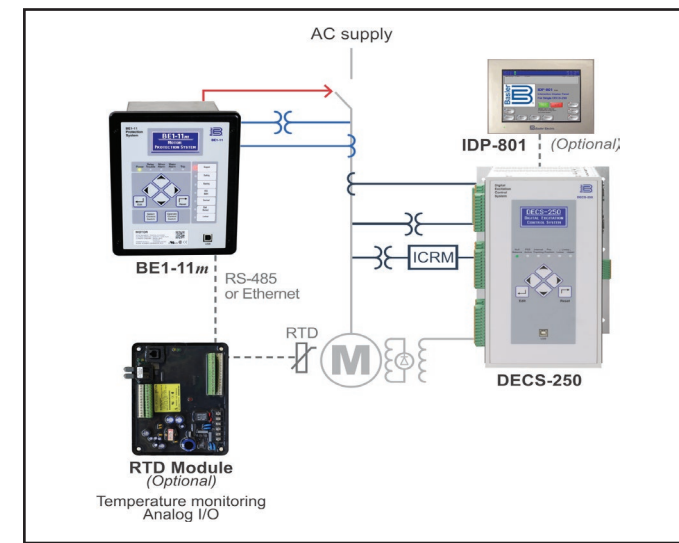
POWERFUL AND INTUITIVE BESTCOMSPlus® MAKES PROTECTION DESIGN AND METERING EASY



- Intuitive, graphical settings with error checking and summary screens make it easy to set the relay with confidence.
- Drag and drop logic with user-defined labels and user notes makes logic easy to set up and understand.
- Offline simulator reduces costly errors and delays at commissioning, allowing logic to be fully evaluated before installing it in the relay.



- Full metering features include phasor diagrams, harmonic content and status data to provide complete status information of protected system.
- Full reports include distance to fault, sequence of events and load profile information for system analysis.



For more information about the BE1-11 system, please visit our download section: www.basler.com

Worldwide Headquarters
Highland, Illinois USA
Tel.: +1 618 654 2341
info@basler.com

 **Basler Electric**®
www.basler.com

Suzhou, P.R. China
Tel.: +86 512 8227 2888
chinainfo@basler.com

Singapore
Tel.: +65 68 44 6445
singaporeinfo@basler.com