



Original Line® Hole Punch

Your configured part number: **D-11999-A**

Engineering Specifications

Pressure Rating: 250 PSI

Temperature Range:

Buna N seals: -20° F (29° C) to 200° F (90° C)

Fluoroelastomer seals for high temperatures (up to 400° F) available

Materials:

Rod: Ground and polished carbon steel

Body: 304 stainless steel

Rod Guide: Nickel plated steel

Rear Head: Aluminum

Features and Benefits

• **Maintenance Free Performance:**

- Lubed for life w/proprietary synthetic blend grease
- Blue and Improved design doubles previous cylinder life

• **Low Breakaway:**

- Inflatable, wear compensating, U-cup rod and piston seals
- Breakaway slots on each end cap for fast seal inflation

• **Long Life:**

- Designed to punch millions of holes in plastic or other sheet materials 2 to 3 mils thick
- Hardened steel cutter with razor sharp edges integral to the cylinder
- Small air jet ejects slugs from cutter, preventing build up

Service and Design Capabilities

• **Catalog models available in 4 days or less**

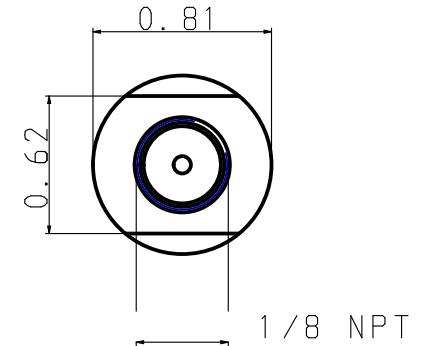
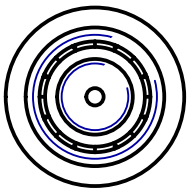
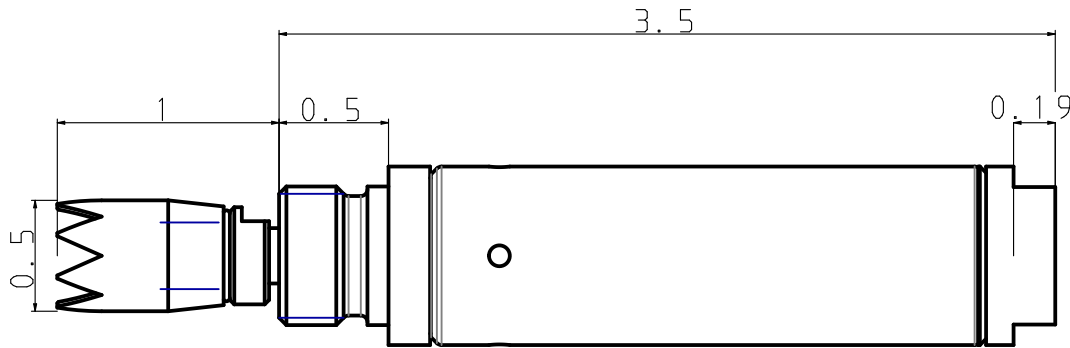
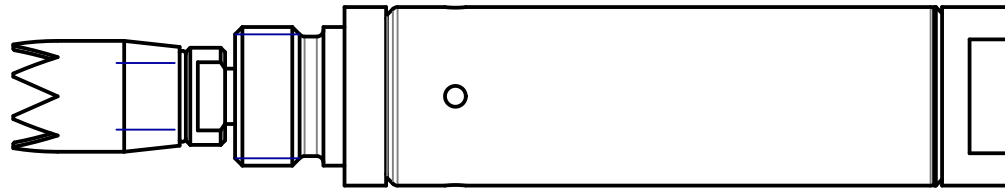
• **Custom design capabilities for your needs**

• **Common modifications include:**

- Customer logo/part# on cylinder body
- Anodized or nickel plated end caps

Bimba Manufacturing Company
Monee, IL 60449-0068
Telephone: 708.534.8544
Toll Free: 800-44-BIMBA
Email: cs@bimba.com
www.bimba.com

Leaders in Actuation.



D-11999-A

THIS DRAWING CONTAINS PROPRIETARY DESIGNS AND/OR INFORMATION OF BIMBA MFG. CO. OR ITS SUBSIDIARIES AND IS NOT TO BE TRANSMITTED, REPRODUCED, USED OR DISCLOSED WITHOUT WRITTEN PERMISSION OF BIMBA MFG. CO. OR ITS SUBSIDIARIES. DESIGN REFLECTS OUR BEST ENGINEERING OPINION BASED ON WRITTEN APPLICATION SPECIFICATIONS RECEIVED. SUITABILITY OF A DESIGN FOR AN APPLICATION REQUIRES ANALYSIS AND/OR TESTS IN YOUR SPECIFIC SYSTEM.

Bimba is part of
IMI Precision
Engineering



Bimba Manufacturing Co.

Monee, IL. 60449
(800) 442-4622 www.bimba.com

PROPRIETARY DRAWING - Reference Only