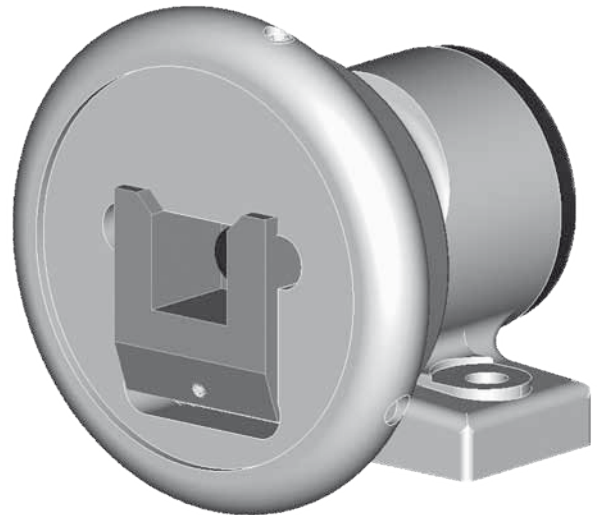
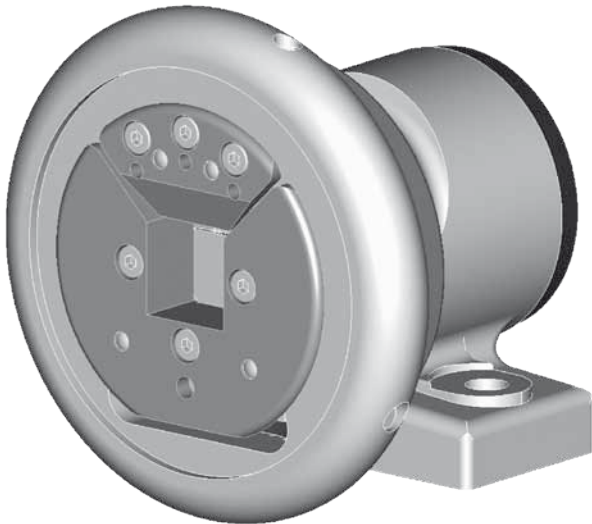



- 22-30 STO** *Boschert* foot mounted chuck without shaft end
22-30 STW *Boschert* foot mounted chuck with shaft end
22-30 FLO *Boschert* flange mounted chuck without shaft end
22-30 FLW *Boschert* flange mounted chuck with shaft end



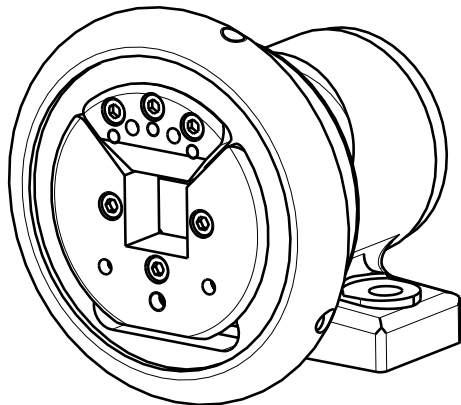
- Square bar:** □ 22 mm - 30 mm (0.8661" - 1.1811")
Standard square bar: □ 30 mm (1.1811")
max. beam weight:  800 kg (1760 lbs)
max. torque: ↻ 180 Nm (132.8 ft/lb)
max. rpm: 1350 min⁻¹

		Info
Type:	VT	2.55
	C	2.54
Journal shaft type VT:	VT1 / VT2 / VT6 / VT7	2.23
Shaft end:	standard	2.23
Handwheel lock:	HRV I (left/right)	2.23
Special models:	90° mounting	8.01
Add. parts:	brakes	6.00
	clutches	7.00

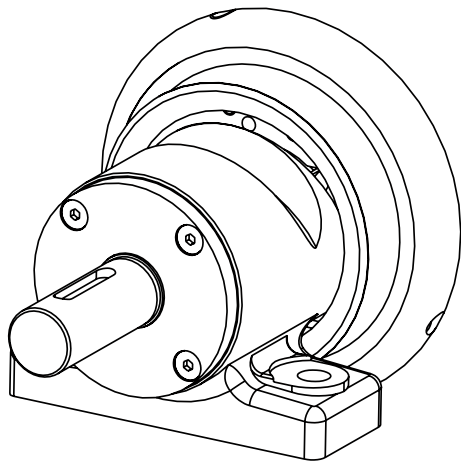
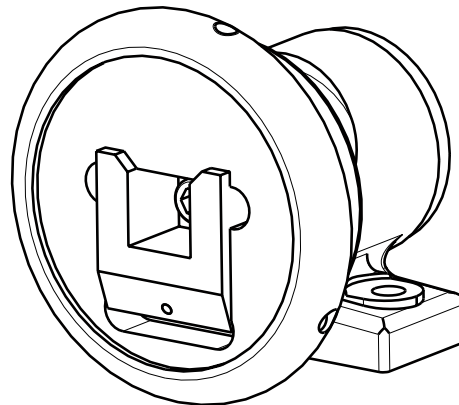
Boschert-Chuck 22-30 foot mounted



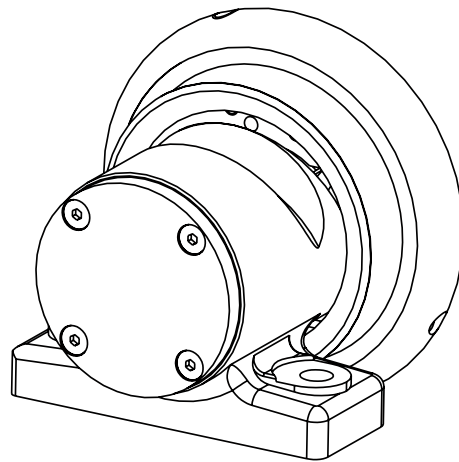
Boschert-Chuck 22-30 type VT



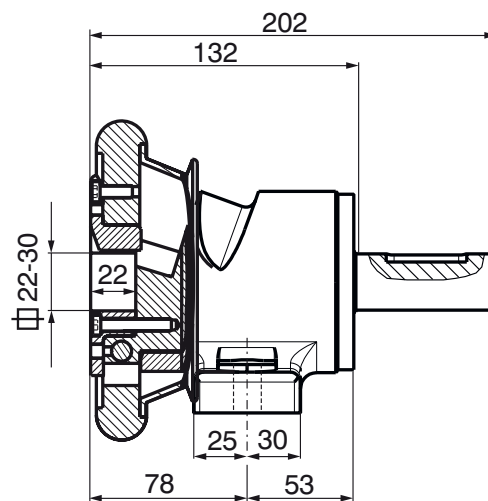
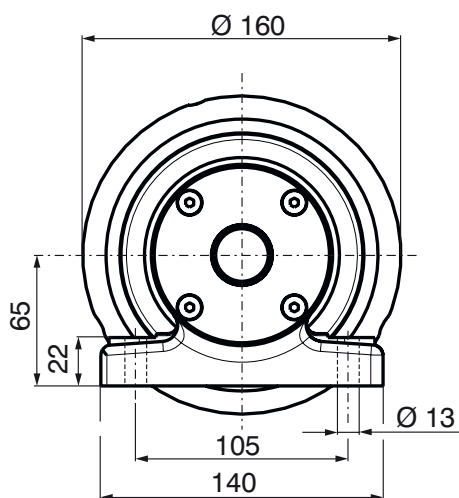
Boschert-Chuck 22-30 type C



STW 22-30
chuck with shaft end



STO 22-30
chuck without shaft end

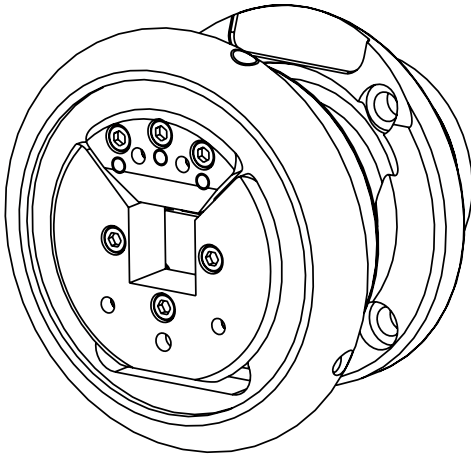


Shaft end details page 2.23

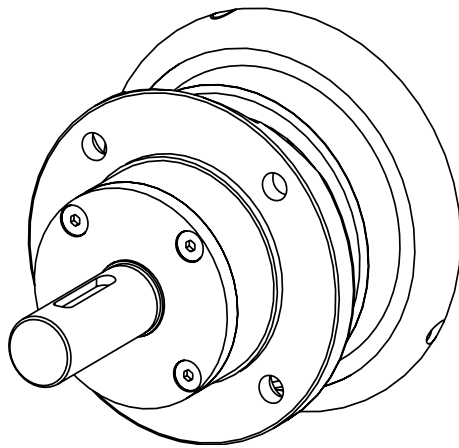
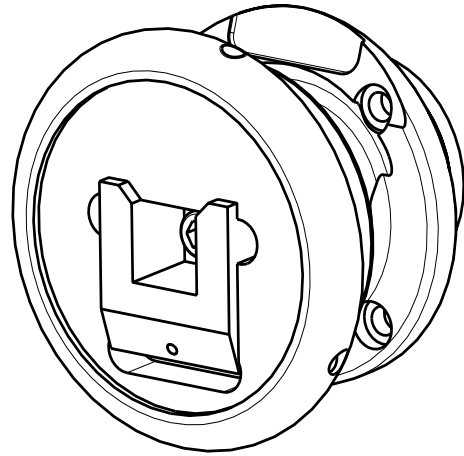
Boschert-Chuck 22-30 flange mounted



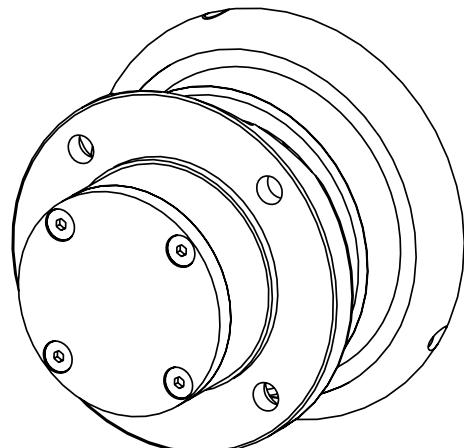
Boschert-Chuck 22-30 type VT



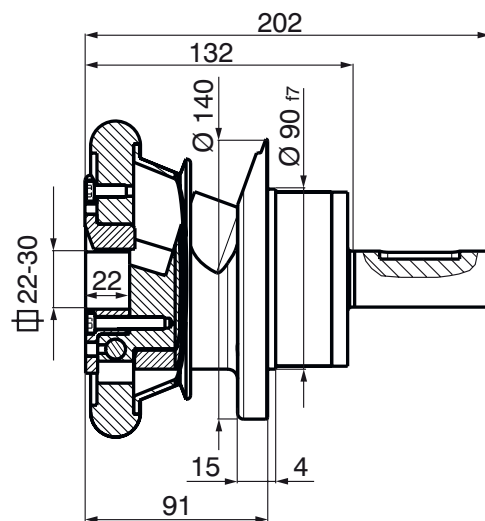
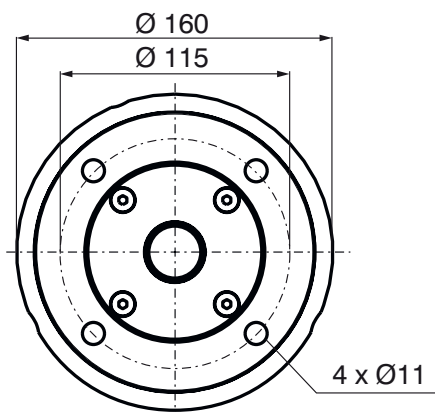
Boschert-Chuck 22-30 type C



FLW 22-30
chuck with shaft end



FLO 22-30
chuck without shaft end

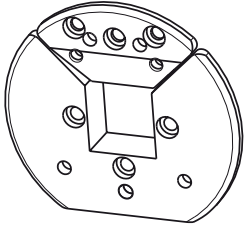


Shaft end details page 2.23

Boschert-Chuck 22-30 options

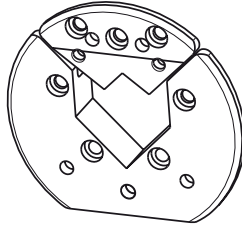


Journal shaft type



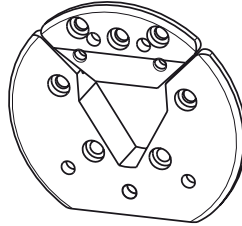
VT 1

Info: 11.10



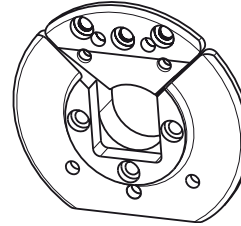
VT 2

Info: 11.10



VT 6

Info: 11.11



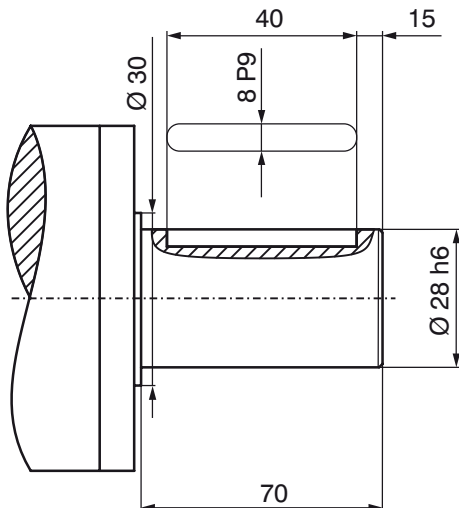
VT 7

Info: 11.12

Note at VT2 and VT7 Chucks:
 max. weight = 0.8 x catalogue value
 max. torque = 0.7 x catalogue value

Info
11.20

Shaft end

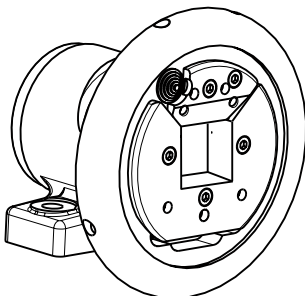


Standard shaft end

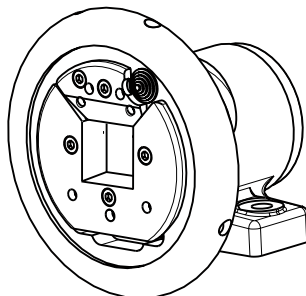
Special shaft ends per customer request

Max. shaft-dia.: Ø 35 mm
 (special shaft without stop)

Handwheel lock



HRV I left



HRV I right

Info
8.30

Info
8.31

Due to safety reasons we recommend handwheel locks on applications in turret winders.