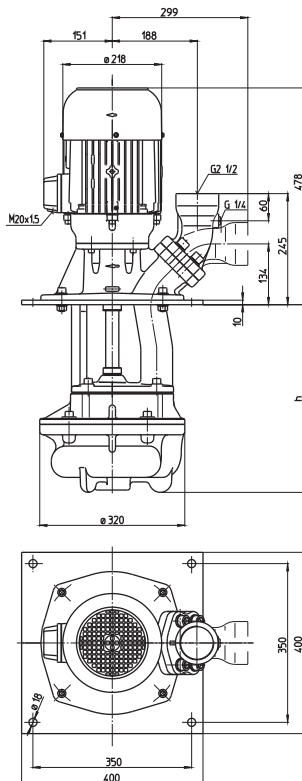


Free flow-immersion pumps

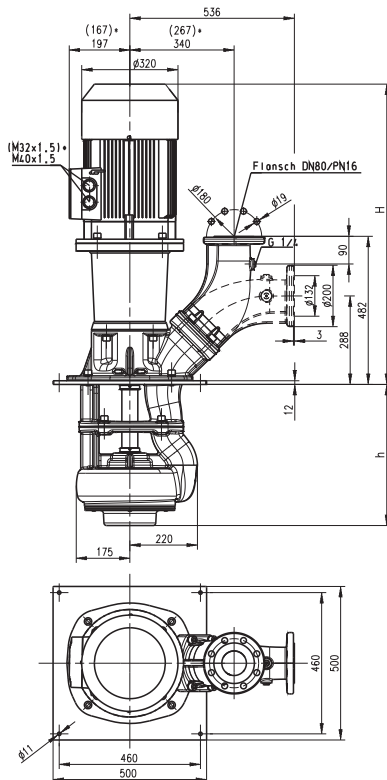
Semi-open impellers

SFT1554-3554

SFT1554-C



SFT2254...3554



*) Dimensions for SFT2254

Type	Vol. del. at manom. del. head l/min / m	Height H mm	Depth of immersion h mm	Weight kg	Power (4-pole) kW	Voltage 3 ~ V	Fre- quency Hz	Rated current A	Speed 1/min
SFT1554/360-C	600/10	478	363	109	3.0	400	50	6.3	1450
490-C			493	113	460	60	6.3	1750	
SFT2254/460	1100/12	701	460	203	7.5	400	50	14.5	1455
660			660	213	460	60	12.8	1760	
860			860	223					
1210			1210	278					
1610			1610	298					
SFT3054/460	1600/12	938	460	224	11.0	400	50	21.0	1460
660			660	234	460	60	18.2	1765	
860			860	244					
1210			1210	299					
1610			1610	319					
SFT3554/460	2100/12	978	460	250	15.0	400	50	28.0	1460
660			660	260	460	60	24.5	1765	
860			860	270					
1210			1210	325					
1610			1610	345					



Free flow-immersion pumps

Semi-open impellers

SFT1554-3554

Free Flow-Immersion Pumps

series SFT are designed to lift coolant for filtering. Coarse shreds can be transported together with liquids.

Half speed.

The SFT serie offers a flange with pressure gauge connection port.

The flange can be rotated for either horizontal or vertical pipe connections.

Applications

Types of fluid
coolants

Max. chip to coolant ratio by weight:
1.5 %

Chip material:
Aluminium, steel, coloured steels

Chip geometry:
Flow chips up until 80 mm long
The max. ball diameter is 45 mm

Kinematic viscosity
...12 mm²/s (12 cSt)

Pumping temperature
0...60° C

Construction

Pump body	cast iron
Cover	cast iron
Impeller	cast steel
Shaft	steel
Optional: Impeller	CrMo-steel

