

VALVES AND SOLENOID VALVES

SERIES D VA VERSION

3/2; 2x3/2; 5/2; 5/3-way
With outlets on the body - For individual or manifold assembly
Size 10,5 - 16 - 25 mm



- Can be used individually or in parallel groups
- Pneumatic and electric version
- Flow up to 2000 Nl/min
- Aluminium body and technopolymer end caps
- Installation in narrow spaces
- Electric connection also with M8 connector

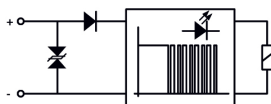
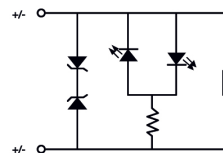
Camozzi has developed a new series of valves for applications with limited installation space where it is necessary to have the control elements as close to the actuator as possible. Valves with threads on the body can be used individually or assembled on manifold. The sub-base version allows a better cleaning of the application. Thanks to the extreme robust aluminium body, the Series D valves guarantee maximum reliability even under difficult operating conditions.

General Data

Valve construction	Spool-type
Valve functions	3/2 NC/NO; 2x3/2 NC/NO/NC+NO; 5/2; 5/3 CC/CO/CP
Materials	Body, spool, bases = AL; end caps = technopolymer; seals = HNBR
Ports	M7 - G1/4 - G3/8
Environmental temperature	0°C min. + 50°C max
Medium	Compressed, filtered and non-lubricated air in class [7:4:4] according to ISO 8573-1:2010. In case lubrication should be necessary, only use oils with a maximum viscosity of 32 Cst and the version with external servo pilot. The air quality for the servo pilot should be of class [7:4:4] according to ISO 8573-1:2010.
Voltage	24VDC
Voltage tolerance	± 10%
Power consumption	1W
Class of insulation	Class F
Protection class	IP65 with EN 175301 C connector ("3" actuation. Ex DIN 43650)* IP65 with M8 connector ("C" actuation)* IP40 with micro connector ("E" actuation)*

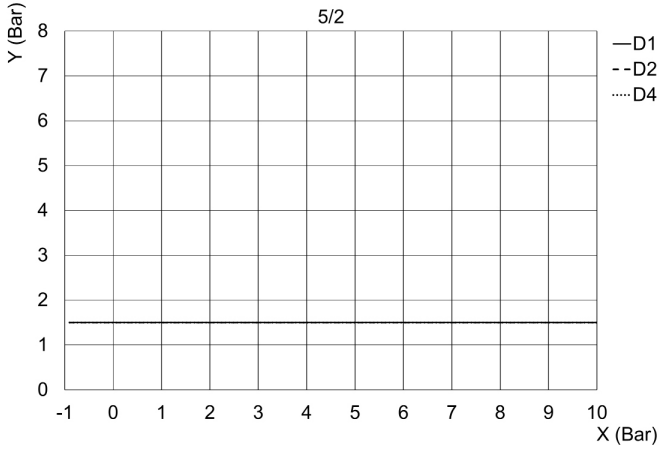
VALVES AND SOLENOID VALVES
SERIES D VA VERSION - CODING EXAMPLES
Coding Example

D	1	E	VA	-	B	P	-	BS
D	SERIES							
1	SIZE 1 = 10,5 mm 2 = 16 mm 4 = 25 mm							
E	ACTUATION E = Electric (D1 and D2) 3 = Electric 15 mm (D2 and D4) C = Electric with M8 connections (D1 and D2) P = Pneumatic							
VA	COMPONENT VA = Valve with threaded body							
B	TYPE OF SOLENOID VALVE M = 5/2 Monostabile B = 5/2 Bistabile P = 3/2 NC Q = 3/2 NO C = 2 x 3/2 NC A = 2 x 3/2 NO G = 2 x 3/2 (NC+NO) D = 2 x 2/2 NC (Only for D1 e D2) H = 2 x 2/2 NO (Only for D1 e D2) R = 1 x 2/2 NC + 1 x 2/2 NO (Only for D1 e D2) N = 5/3 CP V = 5/3 CC K = 5/3 CO				SOLENOID VALVE WITH EXTERNAL SERVO-PILOT SUPPLY MZ = 5/2 Monostabile BZ = 5/2 Bistabile PZ = 3/2 NC QZ = 3/2 NO CZ = 2 x 3/2 NC AZ = 2 x 3/2 NO GZ = 2 x 3/2 (NC+NO) DZ = 2 x 2/2 NC (Only for D1 e D2) HZ = 2 x 2/2 NO (Only for D1 e D2) RZ = 1 x 2/2 NC + 1 x 2/2 NO (Only for D1 e D2) NZ = 5/3 CP VZ = 5/3 CC KZ = 5/3 CO			
P	TYPE OF MANUAL OVERRIDE P = Push button (not for D4) R = With push and turn device 0 = For P actuation							
BS	CONNECTIONS T = Thread A = Ø4 (D1) fittings 6512 4-M7-M B = Ø6 (D1) fittings 6512 6-M7-M, Ø6 (D2) S6510 6-1/4 C = Ø8 (D2) fittings S6510 8-1/4 D = Ø10 (D4) fittings 6512 10-1/4-M, Ø10 (D4) S6510 10-3/8 E = Ø12 (D4) fittings 6510 12-3/8 F = Ø14 (D4) fittings 6510 14-3/8				AS = Ø4 (D1) fittings 6512 4-M7-M + silencers 2931 M7 BS = Ø6 (D1) fittings 6512 6-M7-M + silencers 2931 M7, Ø6 (D2) S6510 6-1/4 + 2921 1/4 CS = Ø8 (D2) fittings S6510 8-1/4-M + silencers 2921 1/4 DS = Ø10 (D2) fittings 6512 10-1/4-M + silencers 2921 1/4, Ø10 S6510 10-3/8 + 2921 3/8 ES = Ø12 (D4) fittings S6510 12-3/8 + silencers 2931 3/8 FS = Ø14 (D4) fittings S6510 14-3/8 + silencers 2931 3/8			
	The pneumatically operated solenoid valves with external servo-pilot supply with connections from A to F are already equipped with fittings on the pilot ports Ø4 (D1 and D2) 6512 4 - M5 Ø6 (D4) 6512 6 - M5							
	VERSION 3, through the connector with rectifier bridge 125-571-3, can be used for AC applications (see the connectors at the end of the section)							

Solenoid valve model DxEVA is equipped with a reverse polarity protection circuit

Solenoid valve model DxCVA can also operate in the event of reverse polarity

The power consumption is 1W (with 50% power reduction after 150 ms)

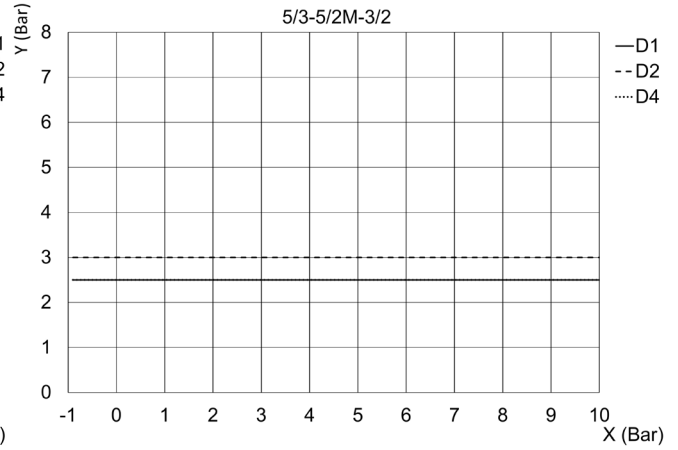
Pilot pressure graphs

Valve model



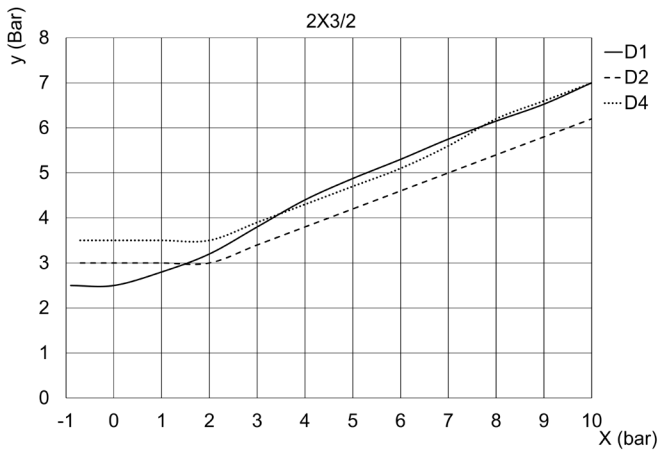
x = Inlet pressure
 y = Pilot pressure

Valve model

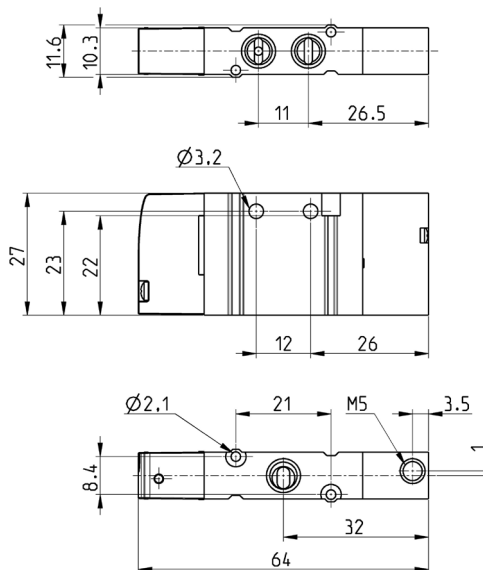
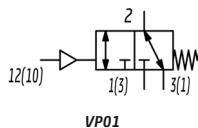


x = Inlet pressure
 y = Pilot pressure

Valve model



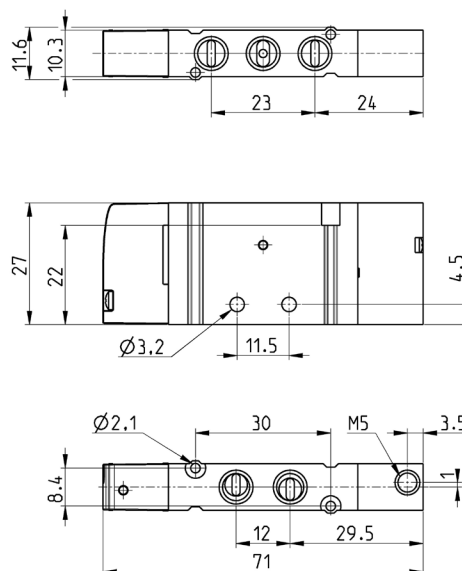
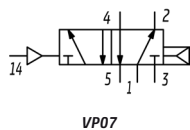
x = Inlet pressure
 y = Pilot pressure

VALVES AND SOLENOID VALVES
SERIES D VA VERSION - DIMENSIONS
3/2-way pneumatically operated valve, monostable - size 10,5


Mod.	Function	Ports	Pilot supply	Pilot supply pressure [bar]	Operating pressure [bar]	Flow [Nl/min]	Symbol
D1PVA-PO-T	NC	M7	M5	2,5 ÷ 10	-0,9 ÷ 10	200	VP01
D1PVA-Q0-T	NO	M7	M5	2,5 ÷ 10	-0,9 ÷ 10	200	VP01

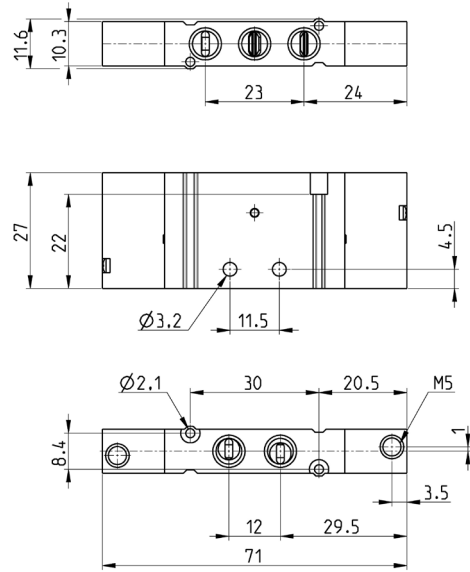
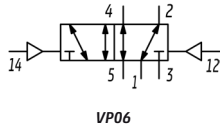
5/2-way pneumatically operated valve, monostable - size 10,5

N.B. the pilot pressure should never be lower than the operating pressure.



Mod.	Ports	Pilot supply	Pilot supply pressure [bar]	Operating pressure [bar]	Flow [Nl/min]
D1PVA-M0-T	M7	M5	2,5 ÷ 10	-0,9 ÷ 10	270

5/2-way operated actuated valve, bistable - size 10,5



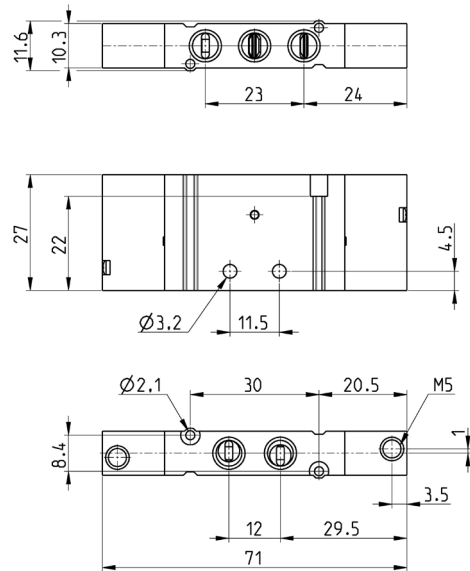
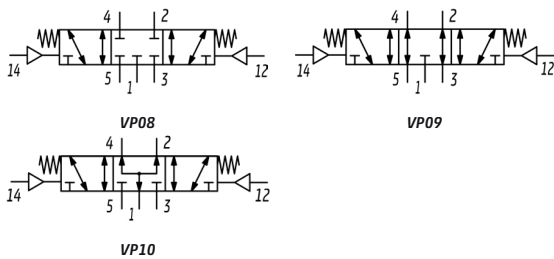
Mod.	Ports	Pilot supply	Pilot supply pressure [bar]	Operating pressure [bar]	Flow [Nl/min]
D1PVA-B0-T	M7	M5	1,5 ÷ 10	-0,9 ÷ 10	270

VALVES AND SOLENOID VALVES

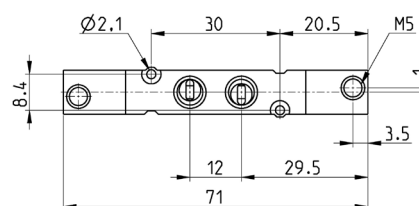
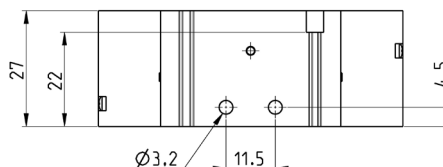
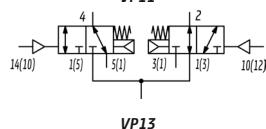
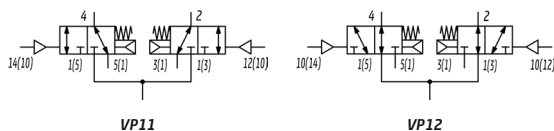
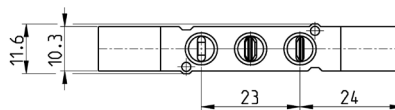
6

5/3-way pneumatically operated valve - size 10,5

CC = Centres Closed
 CO = Centres Open
 CP = Centres Pressurized



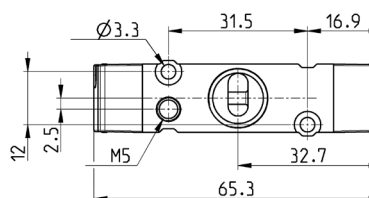
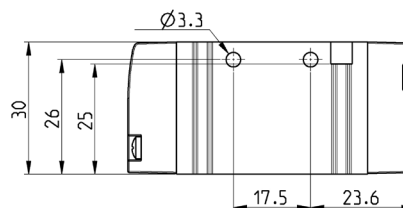
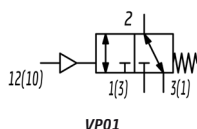
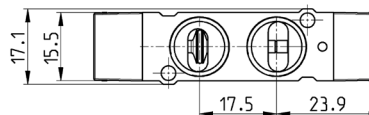
Mod.	Function	Ports	Pilot supply	Pilot supply pressure [bar]	Operating pressure [bar]	Flow [Nl/min]	Symbol
D1PVA-V0-T	CC	M7	M5	2,5 ÷ 10	-0,9 ÷ 10	250	VP08
D1PVA-K0-T	CO	M7	M5	2,5 ÷ 10	-0,9 ÷ 10	220	VP09
D1PVA-N0-T	CP	M7	M5	2,5 ÷ 10	-0,9 ÷ 10	220	VP10

VALVES AND SOLENOID VALVES
SERIES D VA VERSION - DIMENSIONS
2X3/2 -way pneumatically operated valve - size 10,5


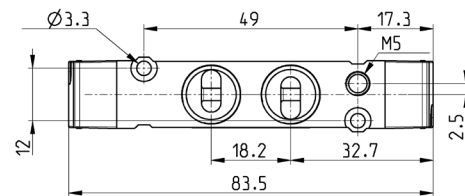
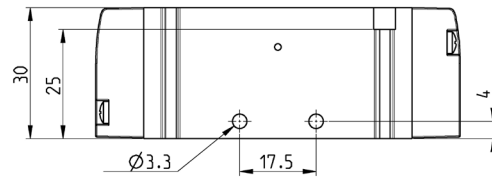
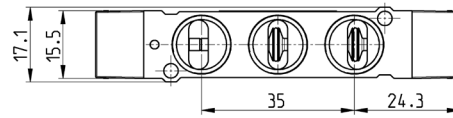
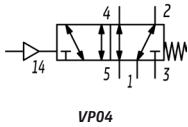
VALVES AND SOLENOID VALVES

6

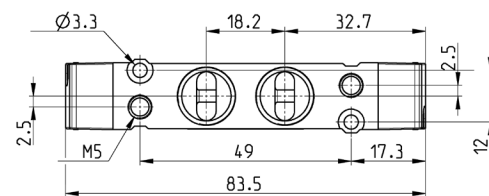
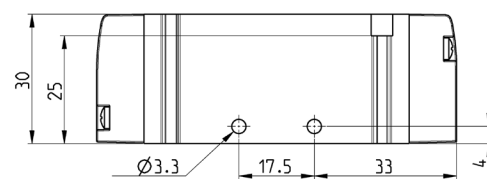
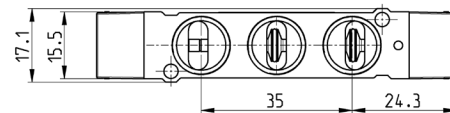
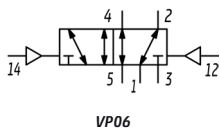
Mod.	Function	Ports	Pilot supply	Pilot supply pressure [bar]	Operating pressure [bar]	Flow [Nl/min]	Symbol
D1PVA-CO-T	NC	M7	M5	2,5 ÷ 10	-0,9 ÷ 10	250	VP11
D1PVA-AO-T	NO	M7	M5	2,5 ÷ 10	-0,9 ÷ 10	220	VP12
D1PVA-GO-T	NC+NO	M7	M5	2,5 ÷ 10	-0,9 ÷ 10	220	VP13

3/2-way pneumatically operated valve, monostable - size 16


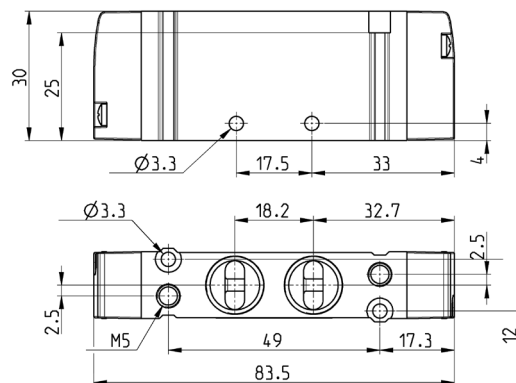
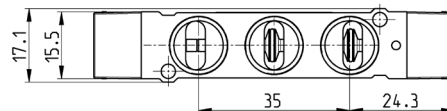
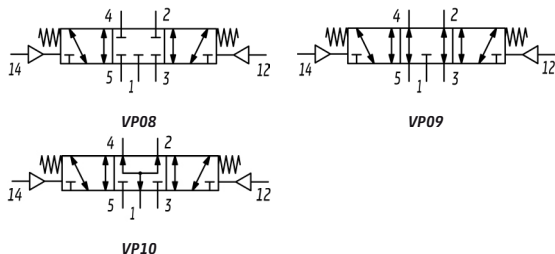
Mod.	Function	Ports	Pilot supply	Pilot supply pressure [bar]	Operating pressure [bar]	Flow [Nl/min]	Symbol
D2PVA-P0-T	NC	G1/4	M5	2,5 ÷ 10	-0,9 ÷ 10	950	VP01
D2PVA-Q0-T	NO	G1/4	M5	2,5 ÷ 10	-0,9 ÷ 10	950	VP01

5/2-way pneumatically operated valve, monostable - size 16


Mod.	Ports	Pilot supply	Operating pressure [bar]	Flow [NL/min]
D2PVA-M0-T	G1/4	M5	3 ÷ 10	950

5/2-way pneumatically operated valve, bistable - size 16


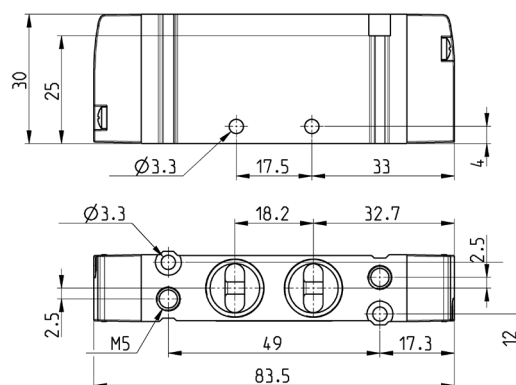
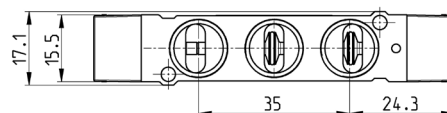
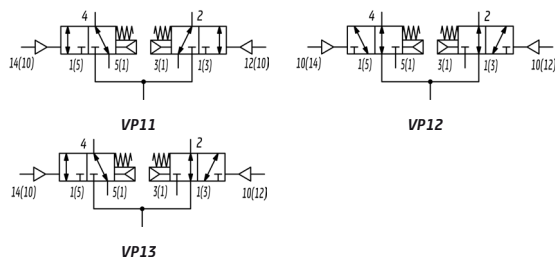
Mod.	Ports	Pilot supply	Pilot pressure [bar]	Operating pressure [bar]	Flow [NL/min]
D2PVA-B0-T	G1/4	M5	2,5 ÷ 10	-0,9 ÷ 10	950

VALVES AND SOLENOID VALVES
SERIES D VA VERSION - DIMENSIONS
5/3-way pneumatically operated valve - size 16


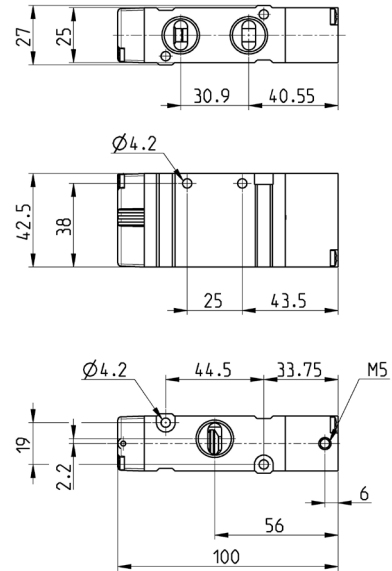
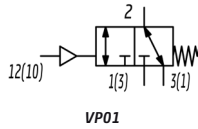
Mod.	Function	Ports	Pilot supply	Pilot supply pressure [bar]	Operating pressure [bar]	Flow [NL/min]	Symbol
D2PVA-V0-T	CC	G1/4	M5	1,5 ÷ 10	-0,9 ÷ 10	950	VP08
D2PVA-K0-T	CO	G1/4	M5	1,5 ÷ 10	-0,9 ÷ 10	950	VP09
D2PVA-N0-T	CP	G1/4	M5	1,5 ÷ 10	-0,9 ÷ 10	950	VP10

VALVES AND SOLENOID VALVES

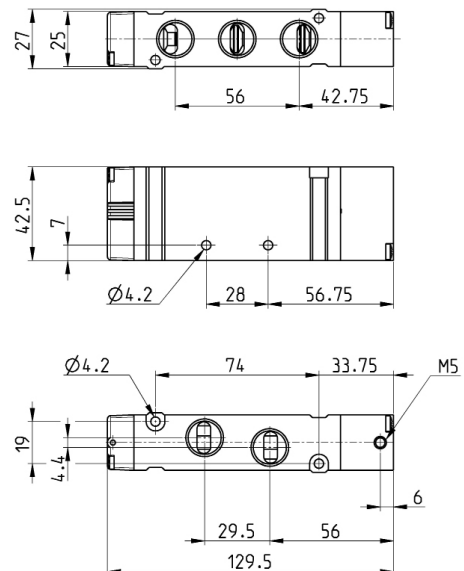
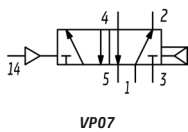
6

2X3/2 -way pneumatically operated valve - size 16


Mod.	Function	Ports	Pilot supply	Pilot supply pressure [bar]	Operating pressure [bar]	Flow [NL/min]	Symbol
D2PVA-C0-T	NC	G1/4	M5	2,5 ÷ 10	-0,9 ÷ 10	950	VP11
D2PVA-A0-T	NO	G1/4	M5	2,5 ÷ 10	-0,9 ÷ 10	950	VP12
D2PVA-G0-T	NC+NO	G1/4	M5	2,5 ÷ 10	-0,9 ÷ 10	950	VP13

3/2-way pneumatically operated valve, monostable - size 25


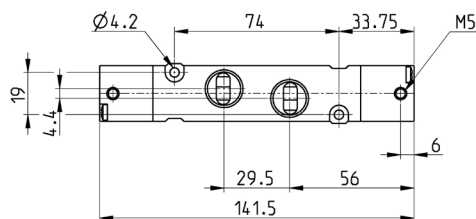
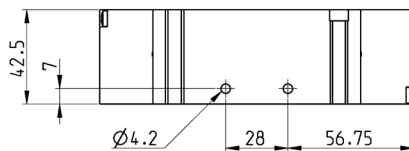
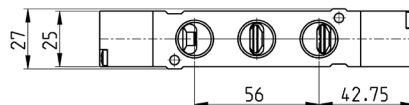
Mod.	Function	Ports	Pilot supply	Pilot supply pressure [bar]	Operating pressure [bar]	Flow [Nl/min]	Symbol
D4PVA-PO-T	NC	G3/8	M5	2,5 ÷ 10	-0,9 ÷ 10	1800	VP01
D4PVA-QO-T	NO	G3/8	M5	2,5 ÷ 10	-0,9 ÷ 10	1800	VP01

5/2-way pneumatically operated valve, monostable - size 25


Mod.	Ports	Pilot supply	Pilot supply pressure [bar]	Operating pressure [bar]	Flow [Nl/min]
D4PVA-MO-T	G3/8	M5	2,5 ÷ 10	-0,9 ÷ 10	2000

VALVES AND SOLENOID VALVES
SERIES D VA VERSION - DIMENSIONS
5/2-way pneumatically operated valve, bistable - size 25

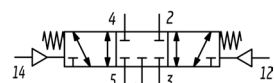

VP06



Mod.	Ports	Pilot supply	Pilot supply pressure [bar]	Operating pressure [bar]	Flow [Nl/min]
D4PVA-B0-T	G3/8	M5	1,5 ÷ 10	-0,9 ÷ 10	2000

VALVES AND SOLENOID VALVES

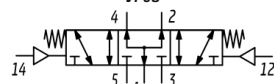
6

5/3-way pneumatically operated valve - size 25


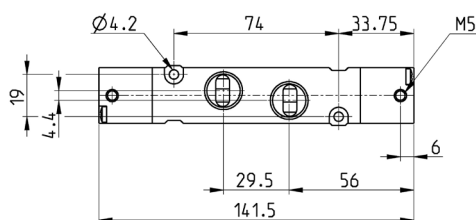
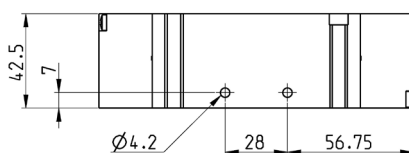
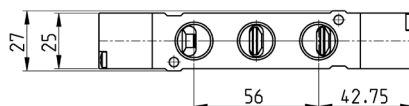
VP08



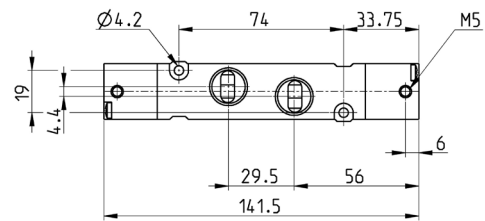
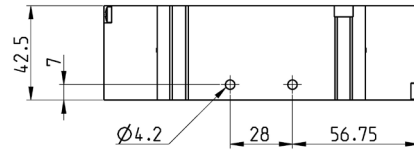
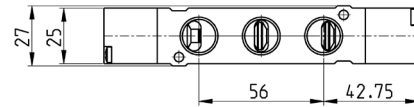
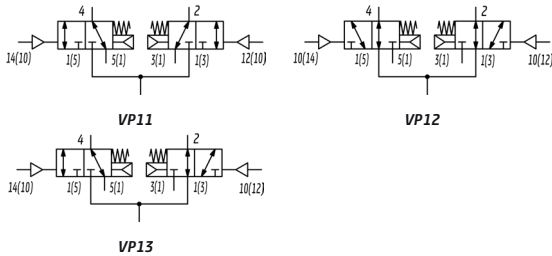
VP09



VP10



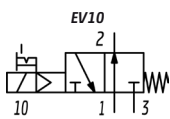
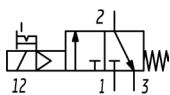
Mod.	Function	Ports	Pilot supply	Pilot supply pressure [bar]	Operating pressure [bar]	Flow [Nl/min]	Symbol
D4PVA-V0-T	CC	G3/8	M5	2,5 ÷ 10	-0,9 ÷ 10	1800	VP08
D4PVA-K0-T	CO	G3/8	M5	2,5 ÷ 10	-0,9 ÷ 10	1800	VP09
D4PVA-N0-T	CP	G3/8	M5	2,5 ÷ 10	-0,9 ÷ 10	1800	VP10

2X3/2-way pneumatically operated valve - size 25


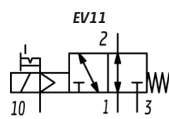
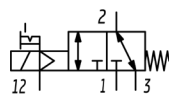
Mod.	Function	Ports	Pilot supply	Pilot supply pressure [bar]	Operating pressure [bar]	Flow [Nl/min]	Symbol
D4PVA-CO-T	NC	G3/8	M5	3 ÷ 10	-0,7 ÷ 10	1800	VP11
D4PVA-AO-T	NO	G3/8	M5	3 ÷ 10	-0,7 ÷ 10	1800	VP12
D4PVA-GO-T	NO+NC	G3/8	M5	3 ÷ 10	-0,7 ÷ 10	1800	VP13

3/2-way solenoid valve, monostable - size 10,5

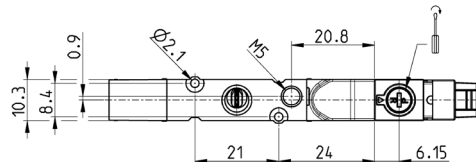
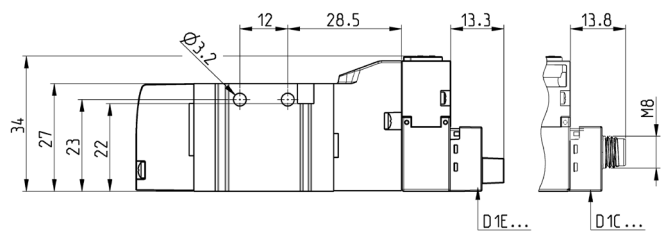
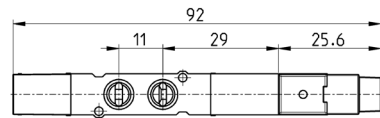
The indications given are valid for the versions D1EVA and D1CVA. The symbols of the versions with manual override type P are shown in the Appendix.



EV12

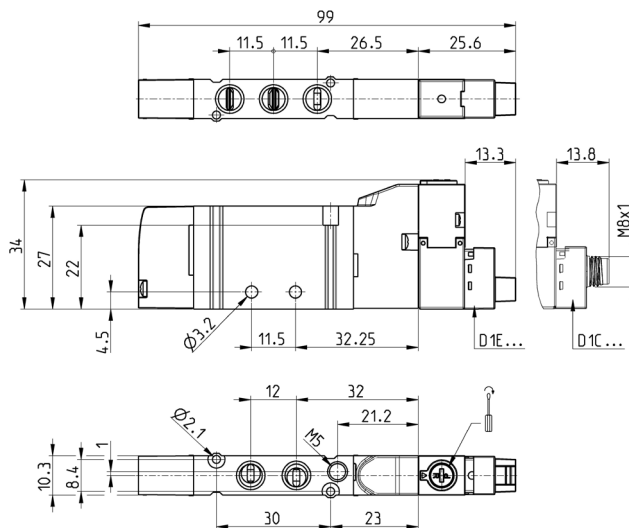


EV13



Connectors at the end of this section

Mod.	Function	Ports	Pilot supply	Pilot supply pressure [bar]	Operating pressure [bar]	Flow [Nl/min]	Symbol
D1EVA-PR-T / D1CVA-PR-T	NC	M7	-	-	2,5 ÷ 7	200	EV10
D1EVA-PZR-T / D1CVA-PZR-T	NC	M7	M5	2,5 ÷ 7	-0,9 ÷ 10	200	EV11
D1EVA-QR-T / D1CVA-QR-T	NO	M7	-	-	2,5 ÷ 7	200	EV12
D1EVA-QZR-T / D1CVA-QZR-T	NO	M7	M5	2,5 ÷ 7	-0,9 ÷ 10	200	EV13

VALVES AND SOLENOID VALVES
SERIES D VA VERSION - DIMENSIONS
5/2-way solenoid valve, monostable - size 10,5


Connectors at the end of this section

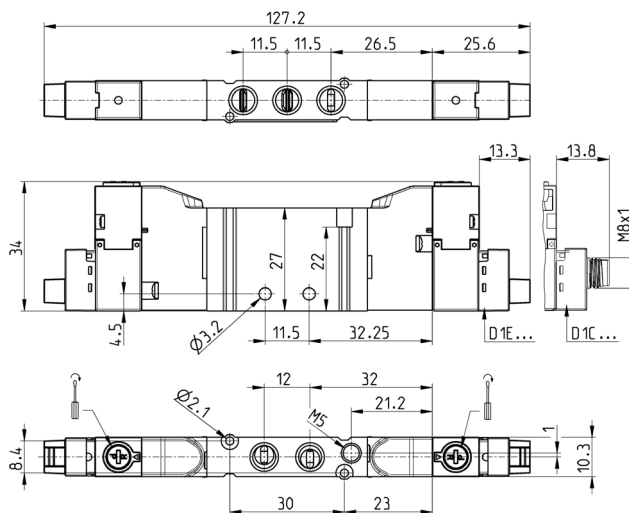
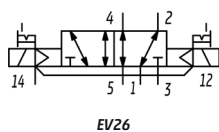
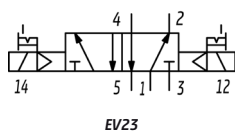
Mod.	Ports	Pilot supply	Pilot supply pressure [bar]	Operating pressure [bar]	Flow [NL/min]	Symbol
D1EVA-MR-T / D1CVA-MR-T	M7	-	-	2,5 ÷ 7	270	EV21
D1EVA-MZR-T / D1CVA-MZR-T	M7	M5	2,5 ÷ 7	-0,9 ÷ 10	270	EV22

VALVES AND SOLENOID VALVES

6

5/2-way solenoid valve, bistable - size 10,5

The indications given are valid for the versions D1EVA and D1CVA. The symbols of the versions with manual override type P are shown in the Appendix.



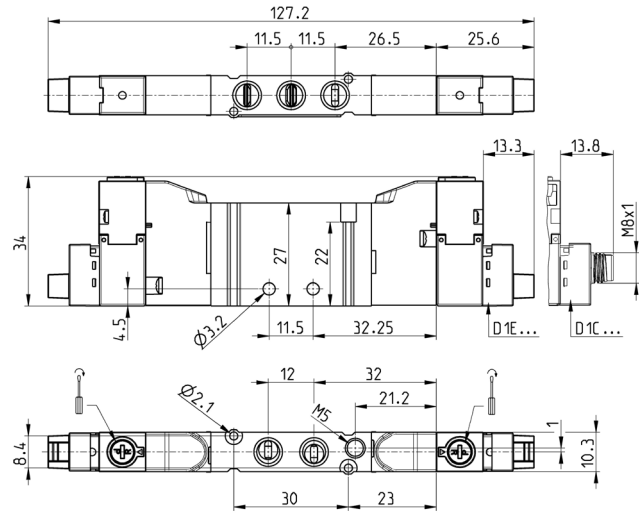
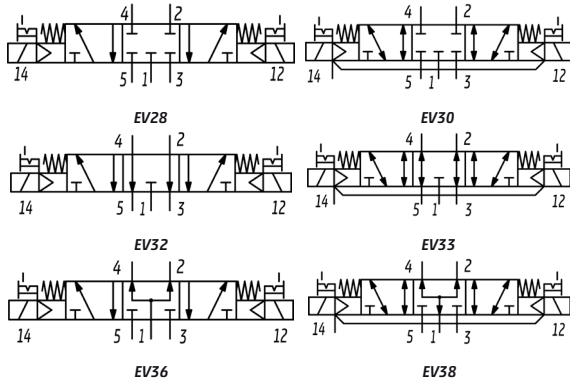
Connectors at the end of this section

Mod.	Ports	Pilot supply	Pilot supply pressure [bar]	Operating pressure [bar]	Flow [NL/min]	Symbol
D1EVA-BR-T / D1CVA-BR-T	M7	-	-	1,5 ÷ 7	270	EV23
D1EVA-BZR-T / D1CVA-BZR-T	M7	M5	1,5 ÷ 7	-0,9 ÷ 10	270	EV26

5/3 - way solenoid valve - size 10,5

CC = Centres Closed
 CO = Centres Open
 CP = Centres Pressurized

The indications given are valid for the versions D1EVA and D1CVA. The symbols of the versions with manual override type P are shown in the Appendix.



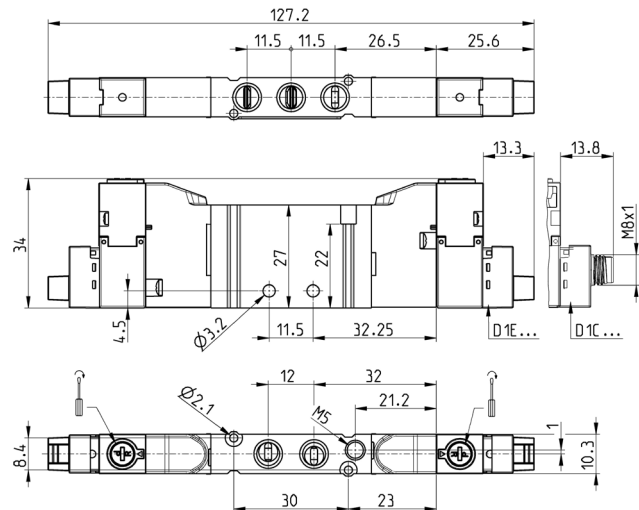
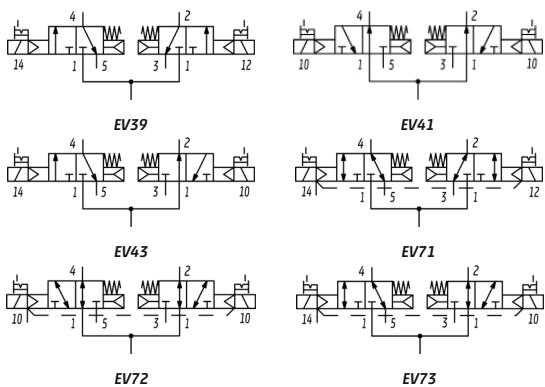
Connectors at the end of this section

Mod.	Function	Ports	Pilot supply	Pilot supply pressure [bar]	Operating pressure [bar]	Flow [Nl/min]	Symbol
D1EVA-VR-T / D1CVA-VR-T	CC	M7	-	-	2,5 ÷ 7	250	EV28
D1EVA-VZR-T / D1CVA-VZR-T	CC	M7	M5	2,5 ÷ 7	-0,9 ÷ 10	250	EV30
D1EVA-KR-T / D1CVA-KR-T	CO	M7	-	-	2,5 ÷ 7	220	EV32
D1EVA-KZR-T / D1CVA-KZR-T	CO	M7	M5	2,5 ÷ 7	-0,9 ÷ 10	220	EV33
D1EVA-NR-T / D1CVA-NR-T	CP	M7	-	-	2,5 ÷ 7	220	EV36
D1EVA-NZR-T / D1CVA-NZR-T	CP	M7	M5	2,5 ÷ 7	-0,9 ÷ 10	220	EV38

2x3/2-way solenoid valve - size 10,5

These solenoid valves integrate two independent 3/2-way functions in the same body.

The indications given are valid for the versions D1EVA and D1CVA. The symbols of the versions with manual override type P are shown in the Appendix.



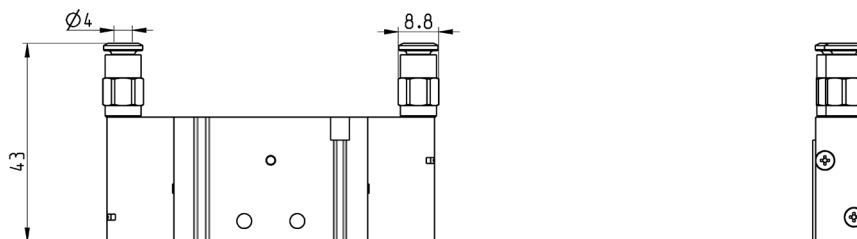
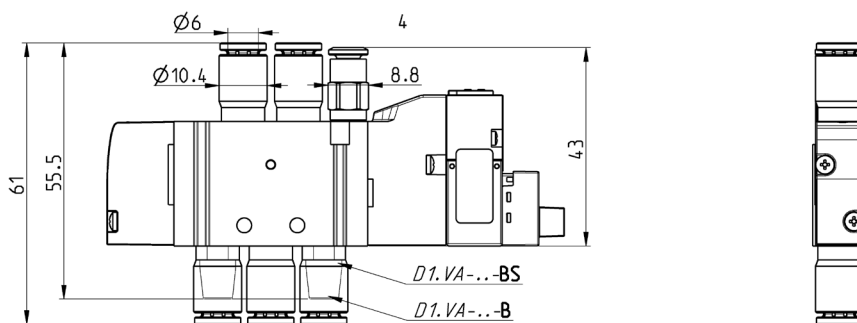
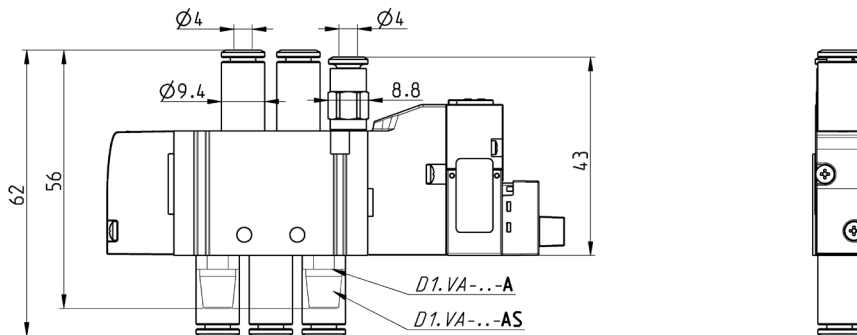
Connectors at the end of this section

Mod.	Function	Ports	Pilot supply	Pilot supply pressure [bar]	Operating pressure [bar]	Flow [Nl/min]	Symbol
D1EVA-CR-T / D1CVA-CR-T	2x3/2 NC	M7	-	-	2,5 - 7	250	EV39
D1EVA-CZR-T / D1CVA-CZR-T	2x3/2 NC	M7	M5	2,5 - 7	-0,9 ÷ 10	250	EV71
D1EVA-AR-T / D1CVA-AR-T	2x3/2 NO	M7	-	-	2,5 - 7	220	EV41
D1EVA-AZR-T / D1CVA-AZR-T	2x3/2 NO	M7	M5	2,5 - 7	-0,9 ÷ 10	220	EV72
D1EVA-GR-T / D1CVA-GR-T	1x3/2 NC + 1x3/2 NO	M7	-	-	2,5 - 7	220	EV43
D1EVA-GZR-T / D1CVA-GZR-T	1x3/2 NC + 1x3/2 NO	M7	M5	2,5 - 7	-0,9 ÷ 10	220	EV73

VALVES AND SOLENOID VALVES
SERIES D VA VERSION - DIMENSIONS

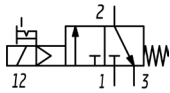
Dimensions of the different versions with fittings / fitt. + silencer – size 10,5

See coding at the beginning of this section.
The dimensions are also valid for pneumatically operated versions.

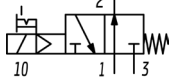


3/2-way solenoid valve, monostable - size 16

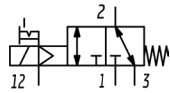
The indications given are valid for the versions D2EVA and D2CVA.
The symbols of the versions with manual override type P are shown in the Appendix.



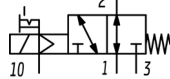
EV10



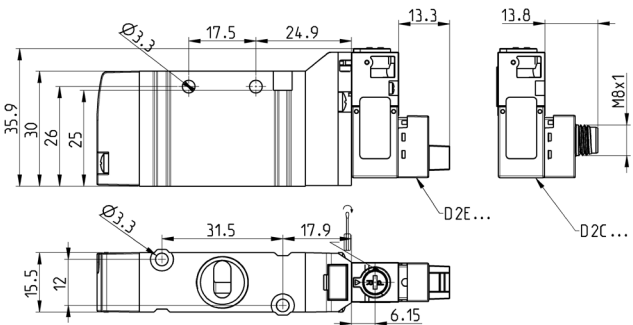
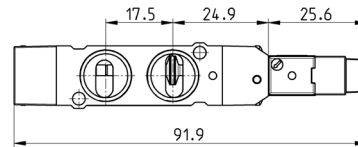
EV12



EV11



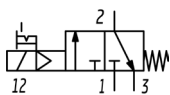
EV13



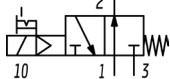
Connectors at the end of this section

Mod.	Function	Ports	Pilot supply	Pilot supply pressure [bar]	Operating pressure [bar]	Flow [Nl/min]	Symbol
D2EVA-PR-T / D2CVA-PR-T	NC	G1/4	-	-	3 ÷ 7	950	EV10
D2EVA-PZR-T / D2CVA-PZR-T	NC	G1/4	M5	3 ÷ 7	-0,9 ÷ 10	950	EV11
D2EVA-QR-T / D2CVA-PR-T	NO	G1/4	-	-	3 ÷ 7	950	EV12
D2EVA-QZR-T / D2CVA-PZR-T	NO	G1/4	M5	3 ÷ 7	-0,9 ÷ 10	950	EV13

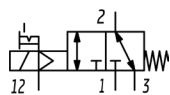
3/2-way solenoid valve, monostable - size 16



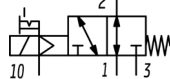
EV10



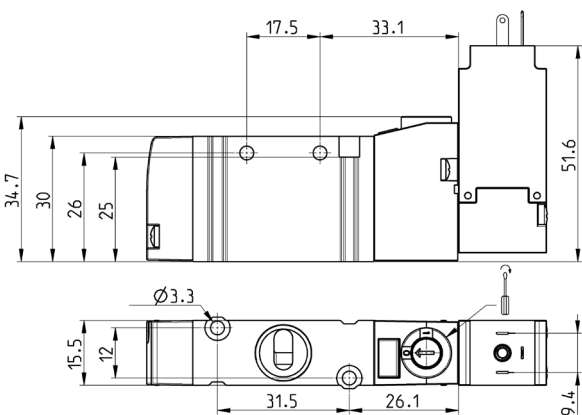
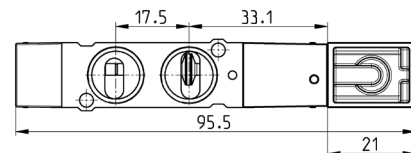
EV12



EV11



EV13

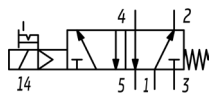


Connectors at the end of this section

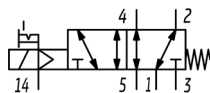
Mod.	Function	Ports	Pilot supply	Pilot supply pressure [bar]	Operating pressure [bar]	Flow [Nl/min]	Symbol
D23VA-PR-T	NC	G1/4	-	-	3 ÷ 10	950	EV10
D23VA-PZR-T	NC	G1/4	M5	3 ÷ 10	-0,9 ÷ 10	950	EV11
D23VA-QR-T	NO	G1/4	-	-	3 ÷ 10	950	EV12
D23VA-QZR-T	NO	G1/4	M5	3 ÷ 10	-0,9 ÷ 10	950	EV13

VALVES AND SOLENOID VALVES
SERIES D VA VERSION - DIMENSIONS
5/2-way solenoid valve, monostable - size 16

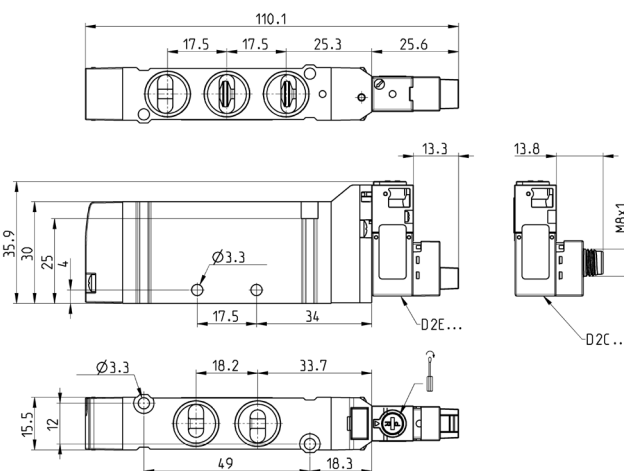
The indications given are valid for the versions D2EVA and D2CVA. The symbols of the versions with manual override type P are shown in the Appendix.



EV18

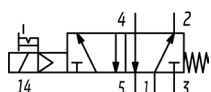


EV19

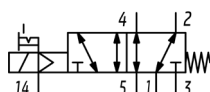


Connectors at the end of this section

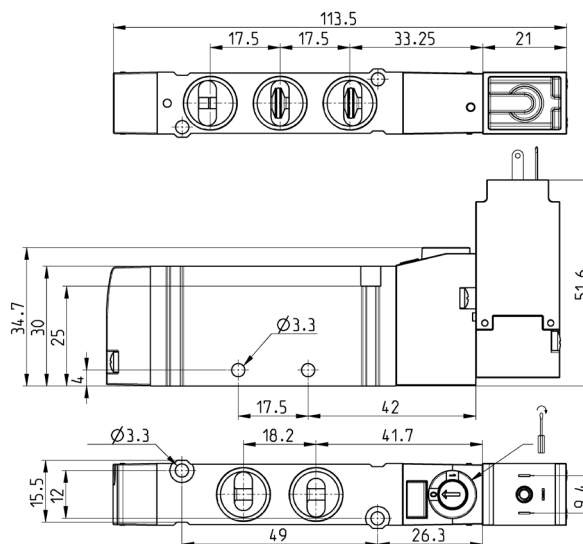
Mod.	Ports	Pilot supply	Pilot supply pressure [bar]	Operating pressure [bar]	Flow [l/min]	Symbol
D2EVA-MR-T / D2CVA-MR-T	G1/4	-	-	3 ÷ 7	950	EV18
D2EVA-MZR-T / D2CVA-MZR-T	G1/4	M5	3 ÷ 7	-0,9 ÷ 10	950	EV19

5/2-way solenoid valve, monostable with 15 mm coil - size 16


EV18



EV19

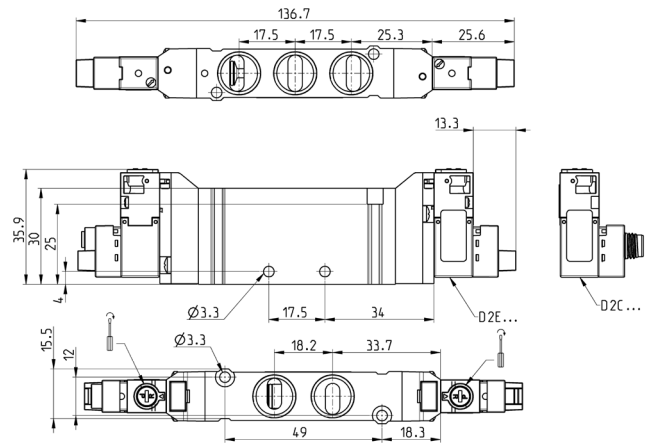
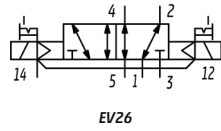
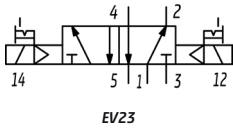


Connectors at the end of this section

Mod.	Ports	Pilot supply	Pilot supply pressure [bar]	Operating pressure [bar]	Flow [l/min]	Symbol
D23VA-MR-T	G1/4	-	-	3 ÷ 10	950	EV18
D23VA-MZR-T	G1/4	M5	3 ÷ 10	-0,9 ÷ 10	950	EV19

5/2-way solenoid valve, bistable - size 16

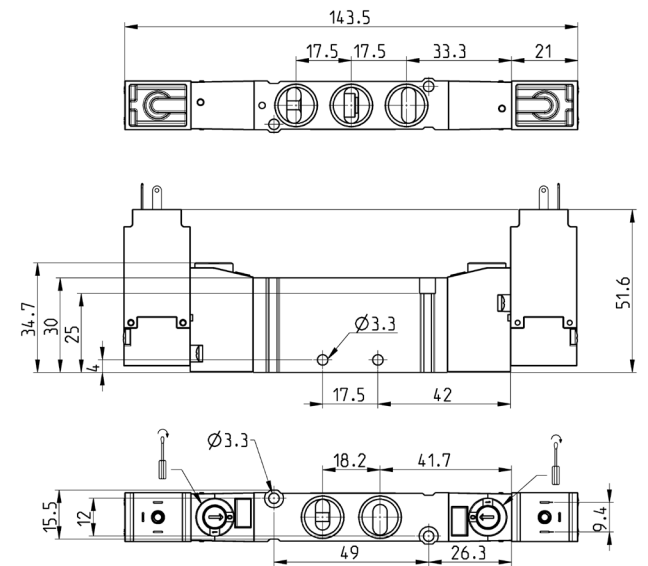
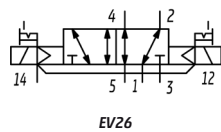
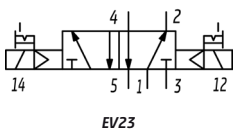
The indications given are valid for the versions D2EVA and D2CVA.
 The symbols of the versions with manual override type P are shown in the Appendix.



Connectors at the end of this section

Mod.	Ports	Pilot supply	Pilot supply pressure [bar]	Operating pressure [bar]	Flow [l/min]	Symbol
D2EVA-BR-T / D2CVA-BR-T	G1/4	-	-	1,5 ÷ 7	950	EV23
D2EVA-BZR-T / D2CVA-BZR-T	G1/4	M5	1,5 ÷ 7	-0,9 ÷ 10	950	EV26

5/2-way solenoid valve, bistable with 15 mm coil - size 16



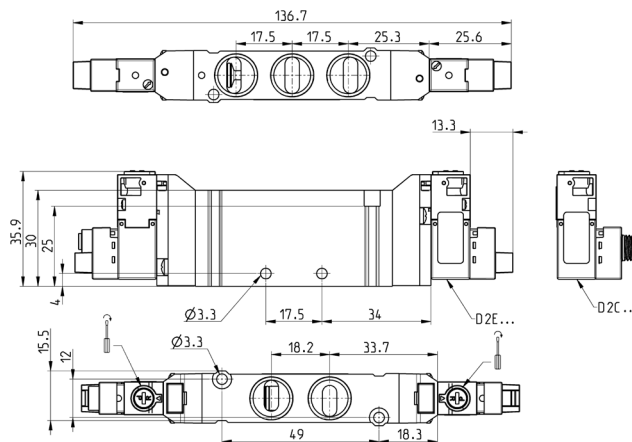
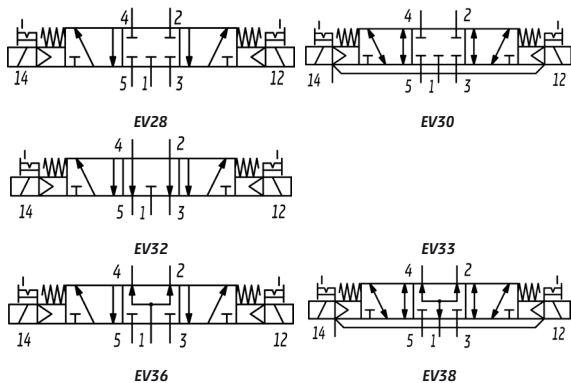
Connectors at the end of this section

Mod.	Ports	Pilot supply	Pilot supply pressure [bar]	Operating pressure [bar]	Flow [l/min]	Symbol
D23VA-BR-T	G1/4	-	-	1,5 ÷ 10	950	EV23
D23VA-BZR-T	G1/4	M5	1,5 ÷ 10	-0,9 ÷ 10	950	EV26

VALVES AND SOLENOID VALVES
SERIES D VA VERSION - DIMENSIONS
5/3 - way solenoid valve - size 16

CC = Centres Closed
 CO = Centres Open
 CP = Centres Pressurized

The indications given are valid for the versions D2EVA and D2CVA. The symbols of the versions with manual override type P are shown in the Appendix.

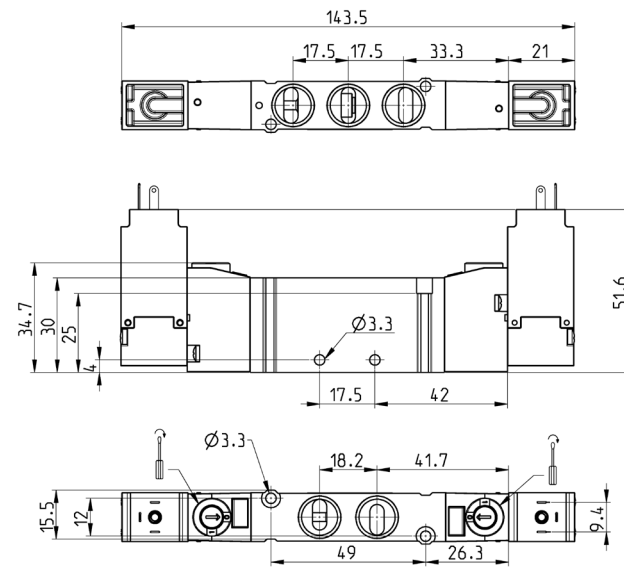
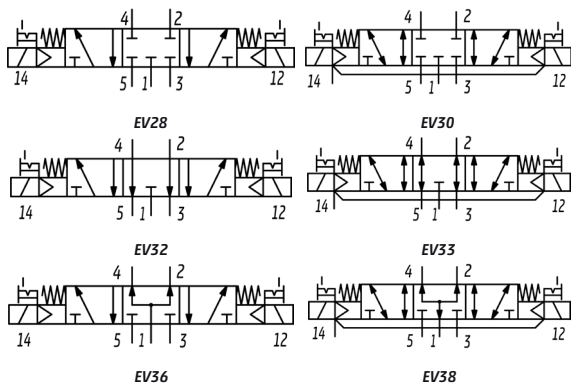


Connectors at the end of this section

Mod.	Function	Ports	Pilot supply	Pilot supply pressure [bar]	Operating pressure [bar]	Flow [Nl/min]	Symbol
D2EVA-VR-T / D2CVA-VR-T	CC	G1/4	-	-	3 ÷ 7	950	EV28
D2EVA-VZR-T / D2CVA-VZR-T	CC	G1/4	M5	3 ÷ 7	-0,9 ÷ 10	950	EV30
D2EVA-KR-T / D2CVA-KR-T	CO	G1/4	-	-	3 ÷ 7	950	EV32
D2EVA-KZR-T / D2CVA-KZR-T	CO	G1/4	M5	3 ÷ 7	-0,9 ÷ 10	950	EV33
D2EVA-NR-T / D2CVA-NR-T	CP	G1/4	-	-	3 ÷ 7	950	EV36
D2EVA-NZR-T / D2CVA-NZR-T	CP	G1/4	M5	3 ÷ 7	-0,9 ÷ 10	950	EV38

5/3 - way solenoid valve with 15 mm coil - size 16

CC = Centres Closed
 CO = Centres Open
 CP = Centres Pressurized



Connectors at the end of this section

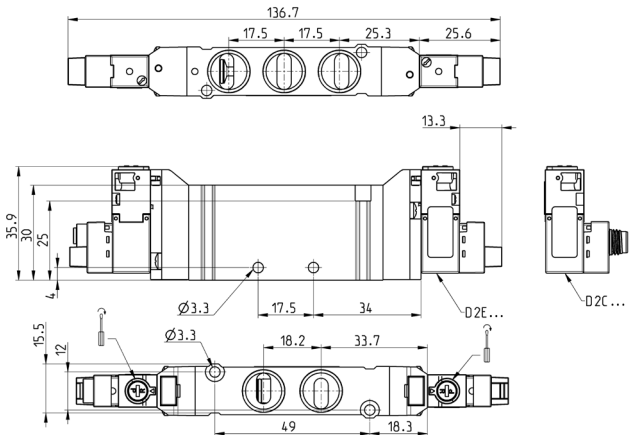
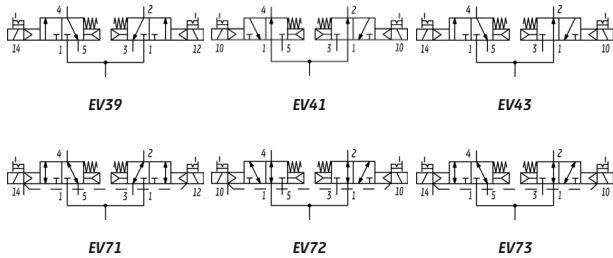
Mod.	Function	Ports	Pilot supply	Pilot supply pressure [bar]	Operating pressure [bar]	Flow [Nl/min]	Symbol
D23VA-VR-T	CC	G1/4	-	-	3 ÷ 10	950	EV28
D23VA-VZR-T	CC	G1/4	M5	3 ÷ 10	-0,9 ÷ 10	950	EV30
D23VA-KR-T	CO	G1/4	-	-	3 ÷ 10	950	EV32
D23VA-KZR-T	CO	G1/4	M5	3 ÷ 10	-0,9 ÷ 10	950	EV33
D23VA-NR-T	CP	G1/4	-	-	3 ÷ 10	950	EV36
D23VA-NZR-T	CP	G1/4	M5	3 ÷ 10	-0,9 ÷ 10	950	EV38

2x3/2-way solenoid valve - size 16



These solenoid valves integrate two independent 3/2-way functions in the same body.

The indications given are valid for the versions D2EVA and D2CVA. The symbols of the versions with manual override type P are shown in the Appendix.



Connectors at the end of this section

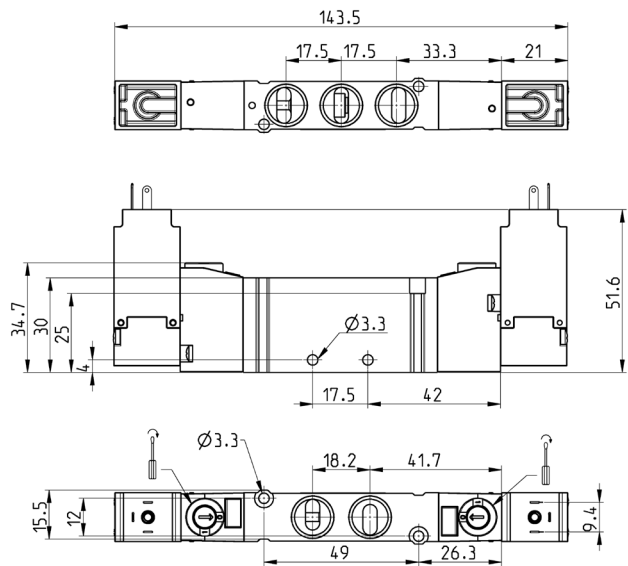
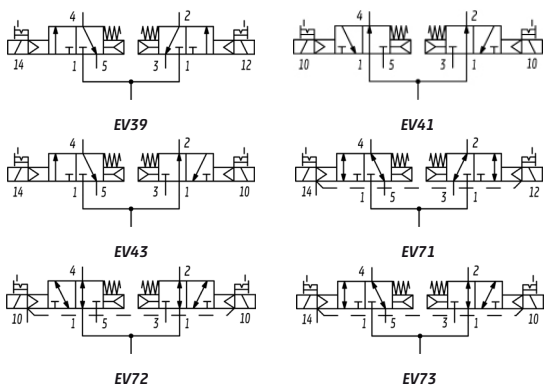
Mod.	Function	Ports	Pilot supply	Pilot supply pressure [bar]	Operating pressure [bar]	Flow [NL/min]	Symbol
D2EVA-CR-T / D2CVA-CR-T	2x3/2 NC	G1/4	-	-	3 ÷ 7	950	EV39
D2EVA-CZR-T / D2CVA-CZR-T	2x3/2 NC	G1/4	M5	3 ÷ 7	-0,9 ÷ 10	950	EV71
D2EVA-AR-T / D2CVA-AR-T	2x3/2 NO	G1/4	-	-	3 ÷ 7	950	EV41
D2EVA-AZR-T / D2CVA-AZR-T	2x3/2 NO	G1/4	M5	3 ÷ 7	-0,9 ÷ 10	950	EV72
D2EVA-GR-T / D2CVA-GR-T	1x3/2 NC + 1x3/2 NO	G1/4	-	-	3 ÷ 7	950	EV43
D2EVA-GZR-T / D2CVA-GZR-T	1x3/2 NC + 1x3/2 NO	G1/4	M5	3 - 7	-0,9 ÷ 10	950	EV73

2x3/2-way solenoid valve with 15 mm coil - size 16



These solenoid valves integrate two independent 3/2-way functions in the same body.

The symbols of the versions with manual override type P are shown in the Appendix.



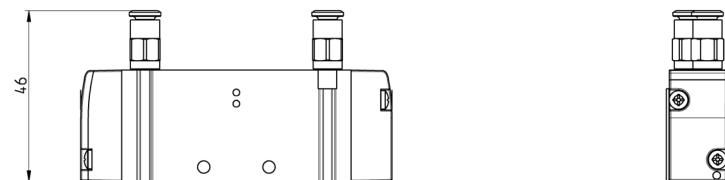
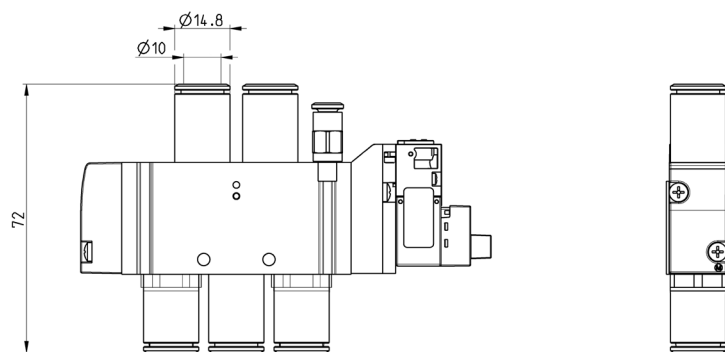
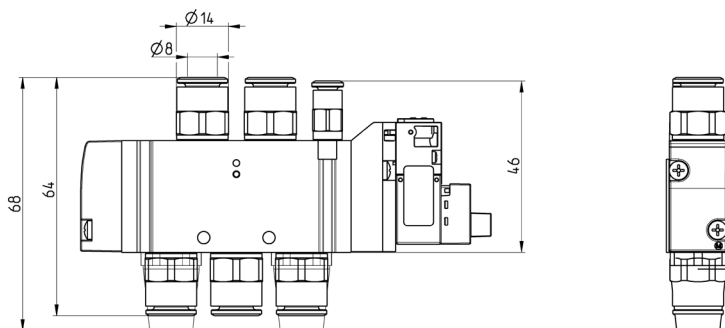
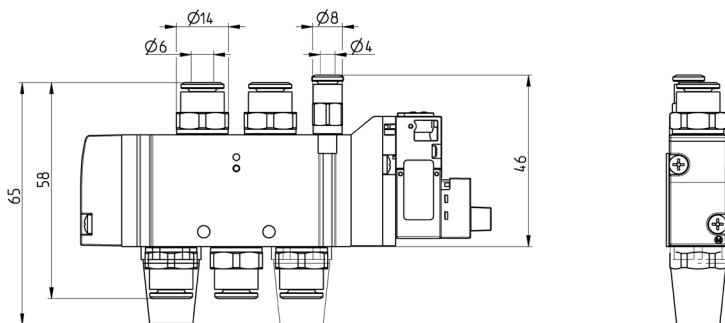
Connectors at the end of this section

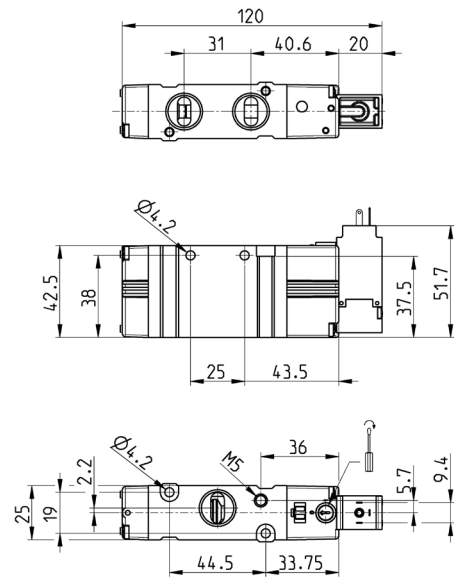
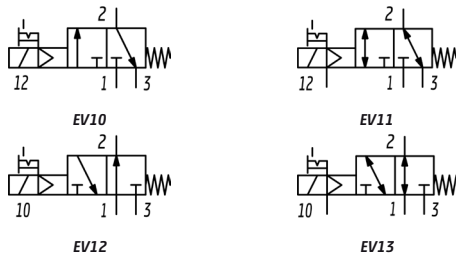
Mod.	Function	Ports	Pilot supply	Pilot supply pressure [bar]	Operating pressure [bar]	Flow [NL/min]	Symbol
D23VA-CR-T	2x3/2 NC	G1/4	-	-	3 ÷ 10	950	EV39
D23VA-CZR-T	2x3/2 NC	G1/4	M5	3 ÷ 10	-0,9 ÷ 10	950	EV71
D23VA-AR-T	2x3/2 NO	G1/4	-	-	3 ÷ 10	950	EV41
D23VA-AZR-T	2x3/2 NO	G1/4	M5	3 ÷ 10	-0,9 ÷ 10	950	EV72
D23VA-GR-T	1x3/2 NC + 1x3/2 NO	G1/4	-	-	3 ÷ 10	950	EV43
D23VA-GZR-T	1x3/2 NC + 1x3/2 NO	G1/4	M5	3 ÷ 10	-0,9 ÷ 10	950	EV73

VALVES AND SOLENOID VALVES
SERIES D VA VERSION - DIMENSIONS

Dimensions of the different versions with fittings / fitt. + silencer – size 16

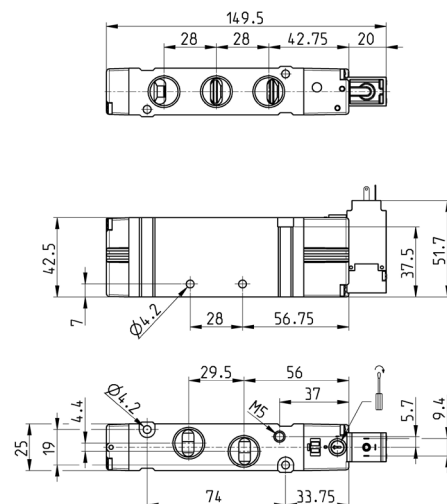
See coding table at the beginning of this section.
 The dimensions are also valid for pneumatically operated versions.



3/2-way solenoid valve, monostable - size 25


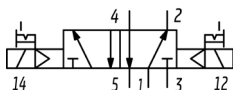
Connectors at the end of this section

Mod.	Function	Ports	Pilot supply	Pilot supply pressure [bar]	Operating pressure [bar]	Flow [NL/min]	Symbol
D43VA-PR-T	NC	G3/8	-	-	2,5 ÷ 10	1800	EV10
D43VA-PZR-T	NC	G3/8	M5	2,5 ÷ 10	-0,9 ÷ 10	1800	EV11
D43VA-QR-T	NO	G3/8	-	-	2,5 ÷ 10	1800	EV12
D43VA-QZR-T	NO	G3/8	M5	2,5 ÷ 10	-0,9 ÷ 10	1800	EV13

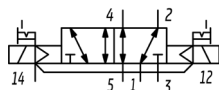
5/2-way solenoid valve, monostable - size 25


Connectors at the end of this section

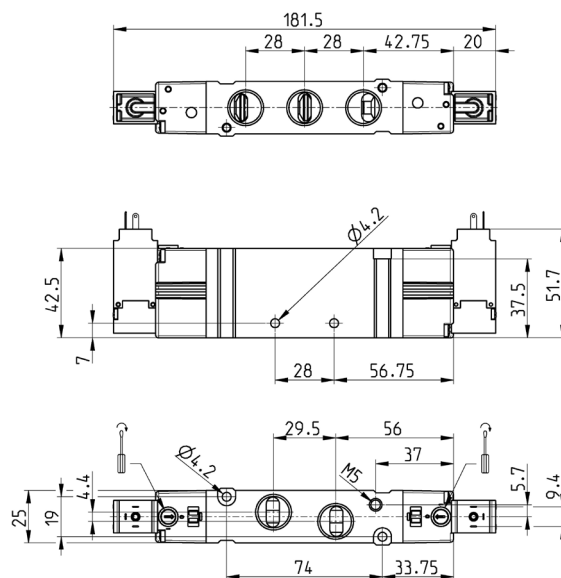
Mod.	Ports	Pilot supply	Pilot supply pressure [bar]	Operating pressure [bar]	Flow [NL/min]	Symbol
D43VA-MR-T	G3/8	-	-	2,5 ÷ 10	2000	EV21
D43VA-MZR-T	G3/8	M5	2,5 ÷ 10	-0,9 ÷ 10	2000	EV22

VALVES AND SOLENOID VALVES
SERIES D VA VERSION - DIMENSIONS
5/2-way solenoid valve, bistable - size 25


EV23



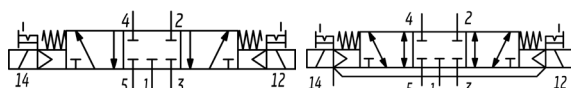
EV26



Connectors at the end of this section

Mod.	Ports	Pilot supply	Pilot supply pressure [bar]	Operating pressure [bar]	Flow [NI/min]	Symbol
D43VA-BR-T	G3/8	-	-	1,5 ÷ 10	2000	EV23
D43VA-BZR-T	G3/8	M5	1,5 ÷ 10	-0,9 ÷ 10	2000	EV26

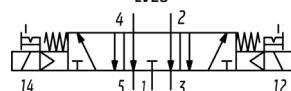
5/3-way solenoid valve - size 25

 CC = Centres Closed
 CO = Centres Open
 CP = Centres Pressurized


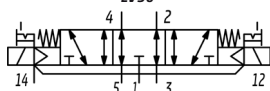
EV28



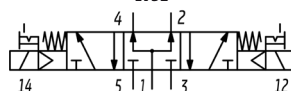
EV30



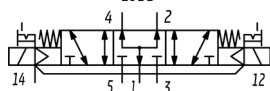
EV32



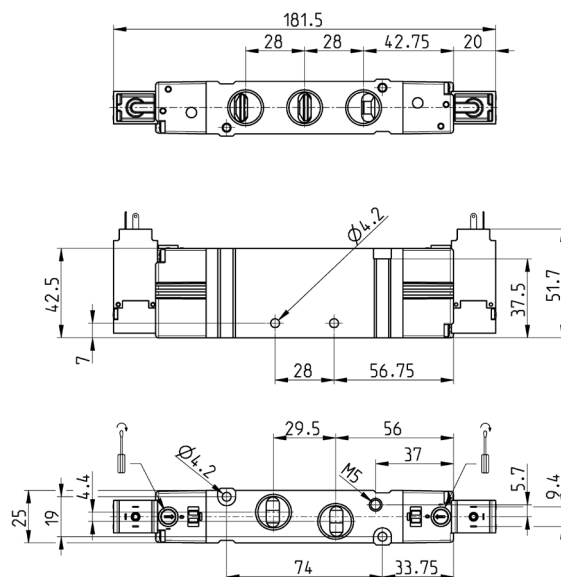
EV33



EV36



EV38

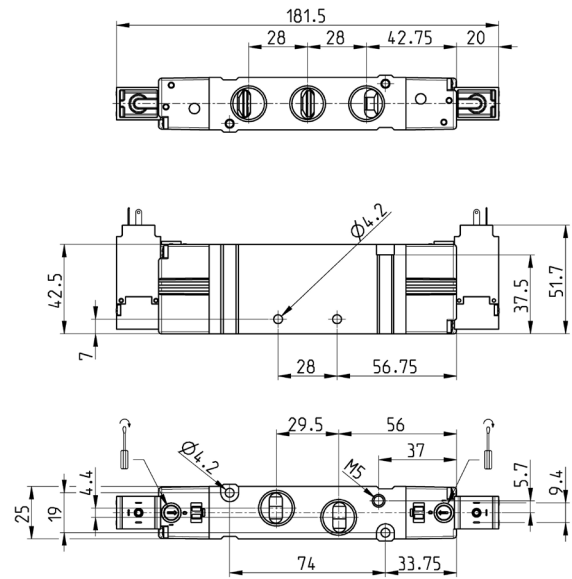
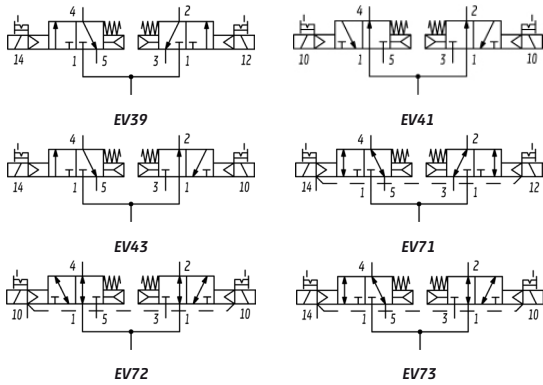


Connectors at the end of this section

Mod.	Function	Ports	Pilot supply	Pilot supply pressure [bar]	Operating pressure [bar]	Flow [NI/min]	Symbol
D43VA-VR-T	CC	G3/8	-	-	2,5 ÷ 10	1800	EV28
D43VA-VZR-T	CC	G3/8	M5	2,5 ÷ 10	-0,9 ÷ 10	1800	EV30
D43VA-KR-T	CO	G3/8	-	-	2,5 ÷ 10	1800	EV32
D43VA-KZR-T	CO	G3/8	M5	2,5 ÷ 10	-0,9 ÷ 10	1800	EV33
D43VA-NR-T	CP	G3/8	-	-	2,5 ÷ 10	1800	EV36
D43VA-NZR-T	CP	G3/8	M5	2,5 ÷ 10	-0,9 ÷ 10	1800	EV38

2x3/2-way solenoid valve - size 25

These solenoid valves integrate two independent 3/2-way functions in the same body.

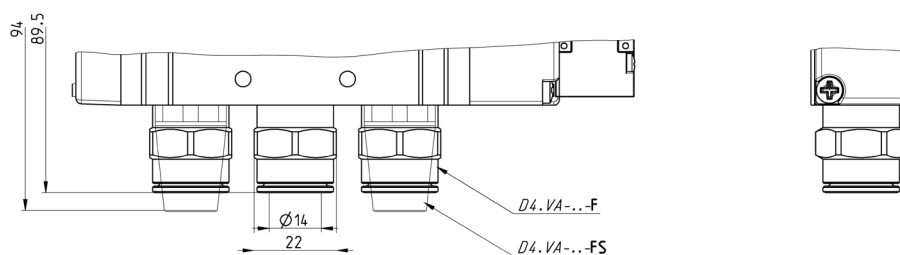
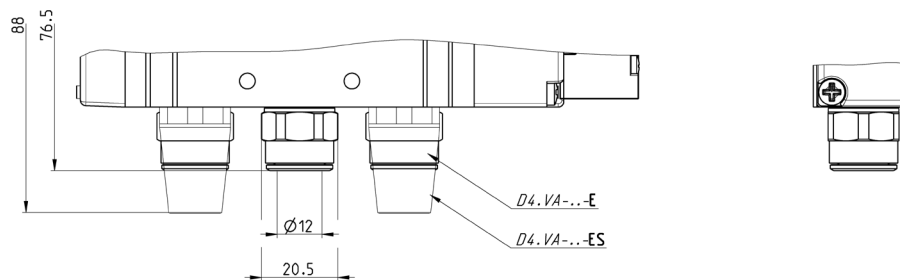
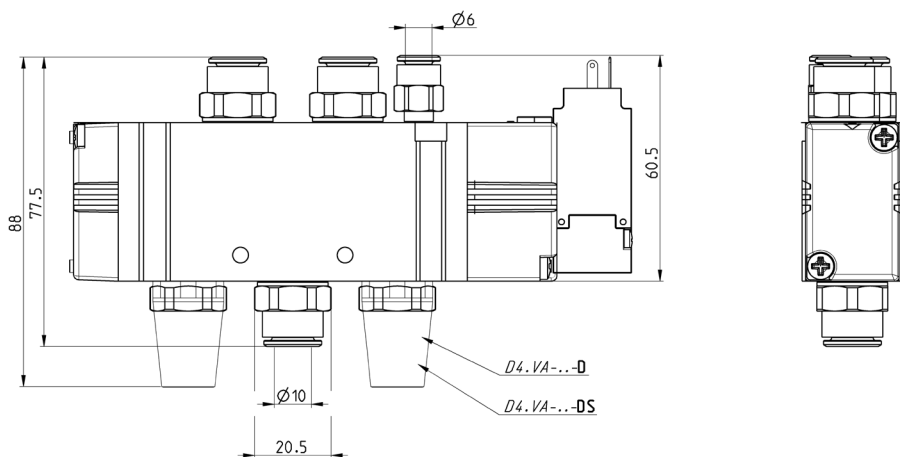


Connectors at the end of this section

Mod.	Function	Ports	Pilot supply	Pilot supply pressure [bar]	Operating pressure [bar]	Flow [l/min]	Symbol
D43VA-CR-T	2x3/2 NC	G3/8	-	-	3,5 ÷ 10	1800	EV39
D43VA-CZR-T	2x3/2 NC	G3/8	M5	3,5 ÷ 10	-0,7 ÷ 10	1800	EV71
D43VA-AR-T	2x3/2 NO	G3/8	-	-	3,5 ÷ 10	1800	EV41
D43VA-AZR-T	2x3/2 NO	G3/8	M5	3,5 ÷ 10	-0,7 ÷ 10	1800	EV72
D43VA-GR-T	1x3/2 NC + 1x3/2 NO	G3/8	-	-	3,5 ÷ 10	1800	EV43
D43VA-GZR-T	1x3/2 NC + 1x3/2 NO	G3/8	M5	3,5 ÷ 10	-0,7 ÷ 10	1800	EV73

VALVES AND SOLENOID VALVES
SERIES D VA VERSION - DIMENSIONS
Dimensions of the different versions with fittings / fitt. + silencer - size 25

See coding table at the beginning of this section.
 The dimensions are also valid for pneumatically operated versions.

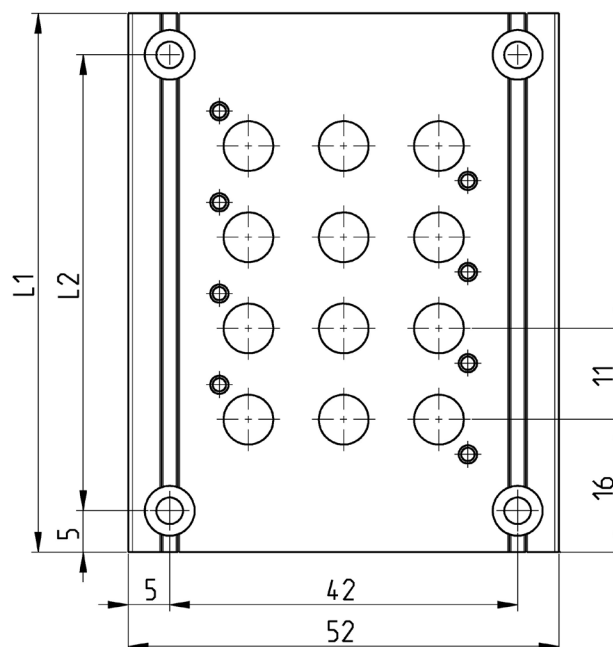
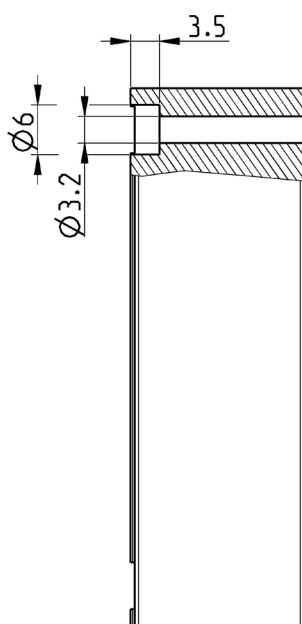
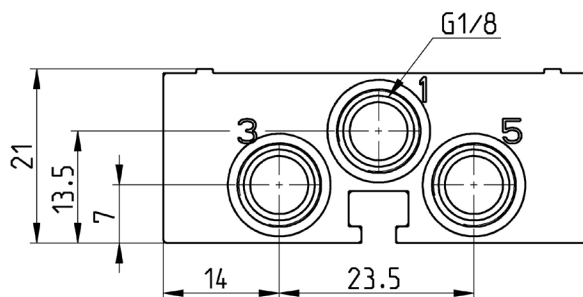


Coding Example

DC	A	1	0	-	12
DC	SERIES				
A	MANIFOLD A = For type VA valves				
1	SIZE 1 = 10,5 mm 2 = 16 mm 4 = 25 mm				
0	BODY TYPE 0 = Body for subbase assembly				
12	N° OF POSITIONS 2 3 4 ... 16 17 (no D4) 18 (no D4) 19 (no D4)				

Manifolds for valves model VA, size 10,5

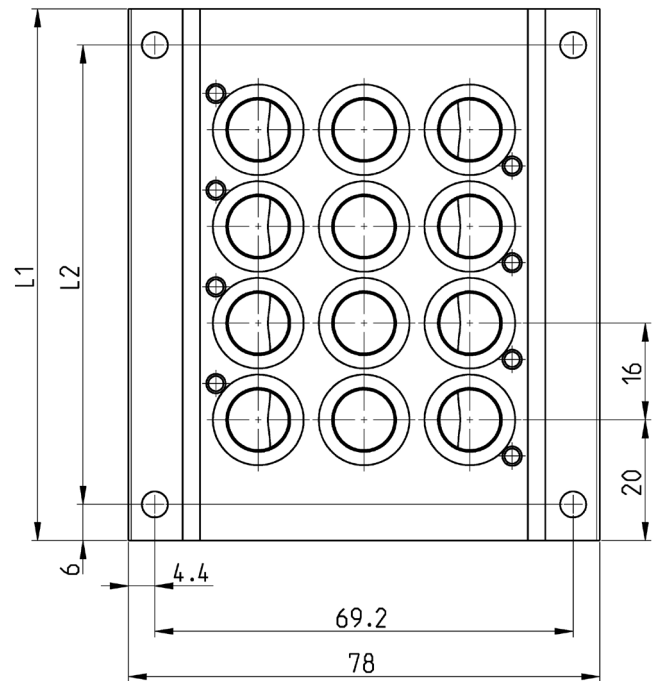
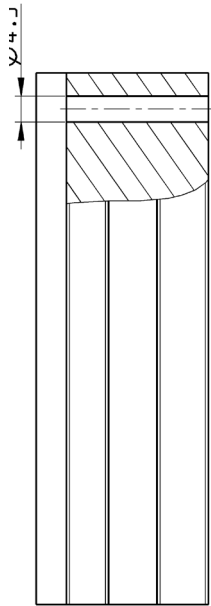
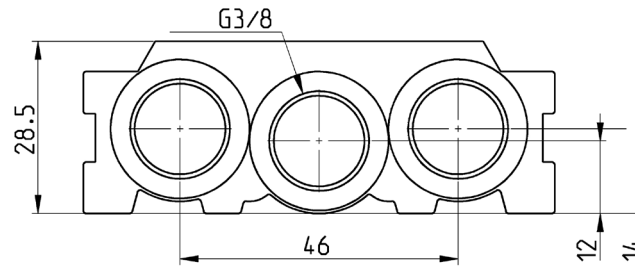
Note: the manifolds are supplied with seals and valves fixing screws.



Mod.	Nr positions	L1	L2
DCA10-2	2	43	33
DCA10-3	3	54	44
DCA10-4	4	65	55
DCA10-5	5	76	66
DCA10-6	6	87	77
DCA10-7	7	98	88
DCA10-8	8	109	99
DCA10-9	9	120	110
DCA10-10	10	131	121
DCA10-11	11	142	132
DCA10-12	12	153	143
DCA10-13	13	164	154
DCA10-14	14	175	165
DCA10-15	15	186	176
DCA10-16	16	197	187
DCA10-17	17	208	198
DCA10-18	18	219	209
DCA10-19	19	230	220

Manifolds for valves model VA, size 16

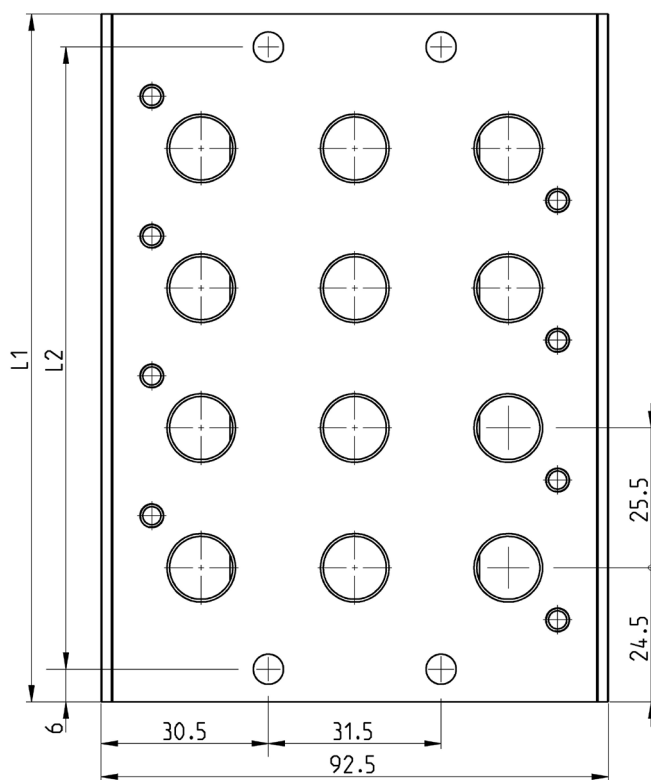
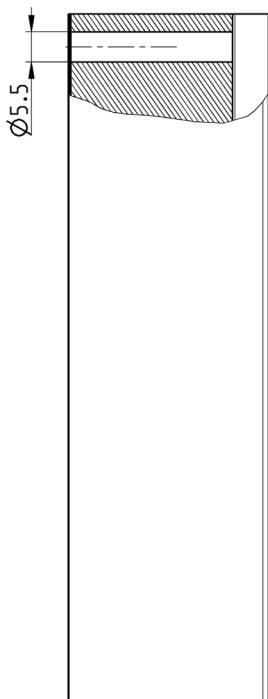
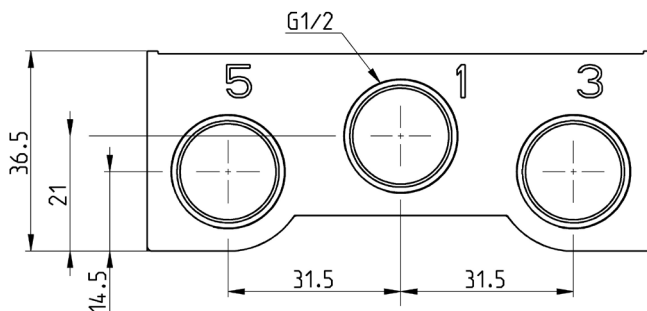
Note: the manifolds are supplied with seals and valves fixing screws.



Mod.	Nr positions	L1	L2
DCA20-2	2	56	44
DCA20-3	3	72	60
DCA20-4	4	88	76
DCA20-5	5	104	92
DCA20-6	6	120	108
DCA20-7	7	136	124
DCA20-8	8	152	140
DCA20-9	9	168	156
DCA20-10	10	184	172
DCA20-11	11	200	188
DCA20-12	12	216	204
DCA20-13	13	232	220
DCA20-14	14	248	236
DCA20-15	15	264	252
DCA20-16	16	280	268
DCA20-17	17	296	284
DCA20-18	18	312	300
DCA20-19	19	328	316

Manifolds for valves model VA, size 25

Note: the manifolds are supplied with seals and valves fixing screws.



Mod.	Nr positions	L1	L2
DCA40-2	2	745	49
DCA40-3	3	100	745
DCA40-4	4	1255	100
DCA40-5	5	151	1255
DCA40-6	6	1765	151
DCA40-7	7	202	1765
DCA40-8	8	2275	202
DCA40-9	9	253	2275
DCA40-10	10	278	253
DCA40-11	11	304	278
DCA40-12	12	3295	304
DCA40-13	13	355	3295
DCA40-14	14	3805	355
DCA40-15	15	406	3805
DCA40-16	16	4315	406

Series KLD solenoid valve - 3/2-way - M8 connector



Supplied with:
 1x interface seal
 2x Ø1,6x16 screws for mounting on plastic

Mod.	Function	Orifice Ø [mm]	Kv [l/min]	Min ÷ max pressure [bar]	Power [W]	Manual override
KLD140-A61AB-M3P	3/2	0,6	0,12	3-7	1	Push and turn
KLD140-A61AY-M3P	3/2	0,6	0,12	3-7	1	Push

Series KLD solenoid valve - 3/2-way - 90° connector



Supplied with:
 1x interface seal
 2x Ø1,6x16 screws for mounting on plastic

Mod.	Function	Orifice Ø [mm]	Kv [l/min]	Min ÷ max pressure [bar]	Power [W]	Manual override
KLD140-A61AB-13P	3/2	0,6	0,12	3-7	1	Push and turn
KLD140-A61AY-13P	3/2	0,6	0,12	3-7	1	Push

VALVES AND SOLENOID VALVES
SERIES D VA VERSION - TECHNICAL DATA
Kit containing seal + valve fixing screws


DCA10-K1



DCA40-K1

Kit to be purchased in case of replacing L-X-Y with valve.

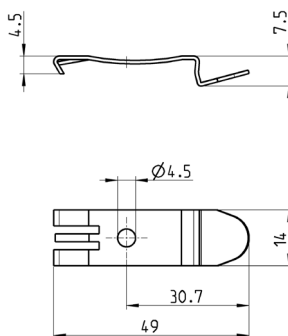
Mounting brackets for DIN rail

VALVES AND SOLENOID VALVES

6


DIN EN 50022 (7,5mm x 35mm - width 1)
 Suitable for all manifolds.

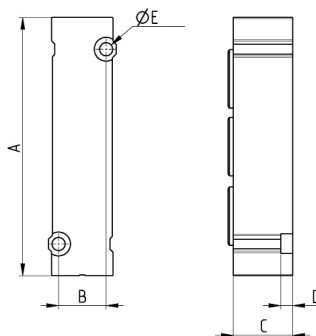
Supplied with:
 2x plates
 2x screws M4x6 UNI 5931
 2x nuts



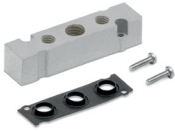
Mod.	
PCF-E531	(Only for D1)

Blanking plate for manifolds - free position L

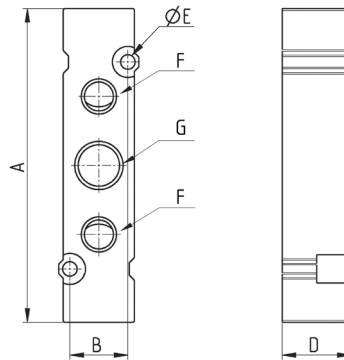

Supplied with:
 1x plate
 2x screws
 1x seal



Mod.	Pitch	A	B	D	E	C
D1AVA-L	10,5	45,5	8,4	5	2,1	10
D2AVA-L	16	65	12	3	3,3	15
D4AVA-L	25	92,5	19	5	4,2	20

Module X for additional supply and exhaust for size 10,5


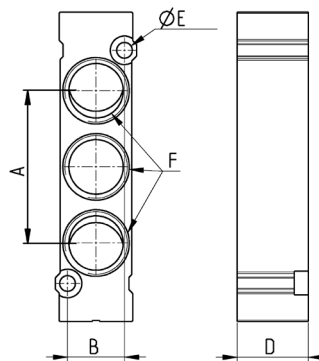
Supplied with:
 1x plate
 2x screws
 1x seal



Mod.	Pitch	A	B	D	E	F	G
D1AVA-X	10,5	45,5	8,4	10	2,1	M5	1/8

Module X for additional supply and exhaust for size 16

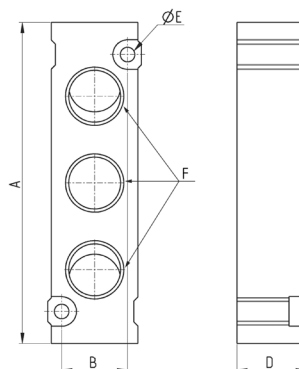

Supplied with:
 1x plate
 2x screws
 1x seal



Mod.	Pitch	A	B	D	E	F
D2AVA-X	16	65	12	15	3,3	G1/4

Module X for additional supply and exhaust for size 25

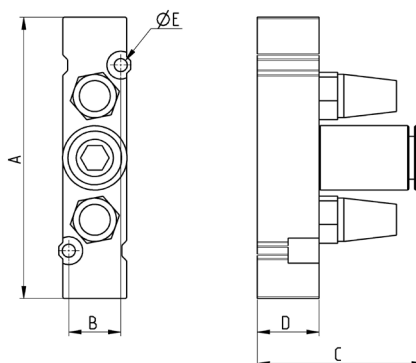

Supplied with:
 1x plate
 2x screws
 1x seal



Mod.	Pitch	A	B	D	E	F
D4AVA-X	25	92,5	19	20	4,2	G3/8

VALVES AND SOLENOID VALVES
SERIES D VA VERSION - ACCESSORIES
Module Y for additional supply and exhaust with silencer for size 10,5


Supplied with:
 1x plate
 2x screws
 1x seal.
 2x silencers 2931 M5
 1x fitting 6512 6-M7



Mod.	Pitch	A	B	C	D	E
D1AVA-Y	10,5	45,5	8,4	27	10	2,1

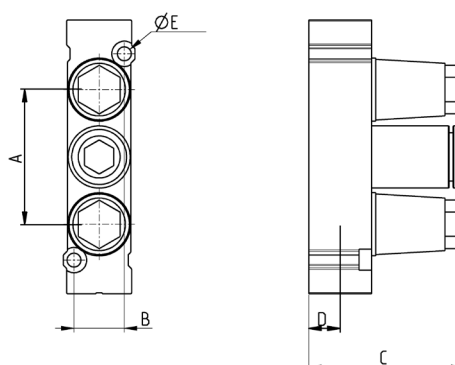
Module Y for additional supply and exhaust with silencer for size 16

VALVES AND SOLENOID VALVES

6



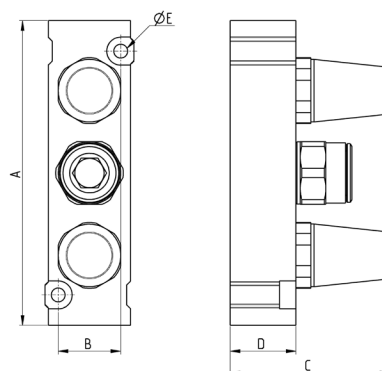
Supplied with:
 1x plate
 2x screws
 1x seal.
 2x silencers 2931 M5
 1x fitting 6512 6-M7



Mod.	Pitch	A	B	C	D	E
D2AVA-Y	16	65	12	37	15	3,3

Module Y for additional supply and exhaust with silencer for size 25

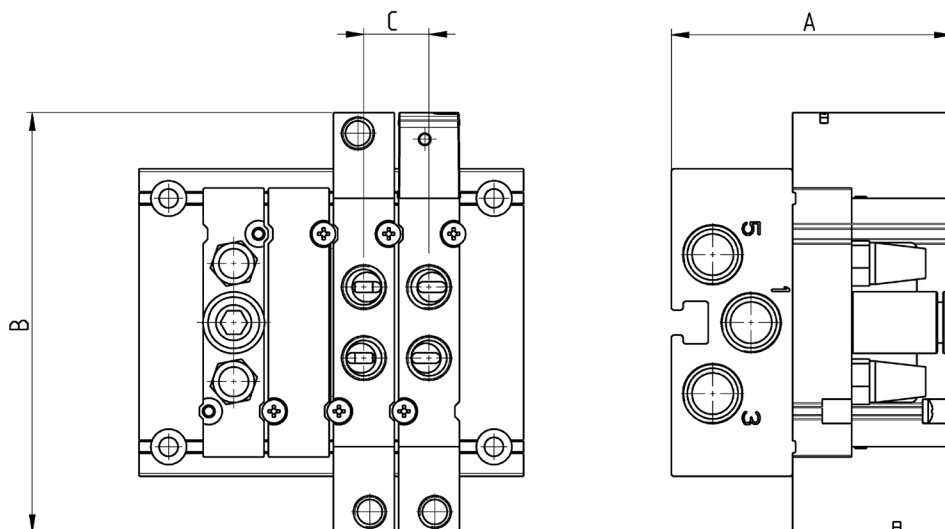

Supplied with:
 1x plate
 2x screws
 1x seal.
 2x silencers 2931 3/8
 1x fitting 6512 12-3/8



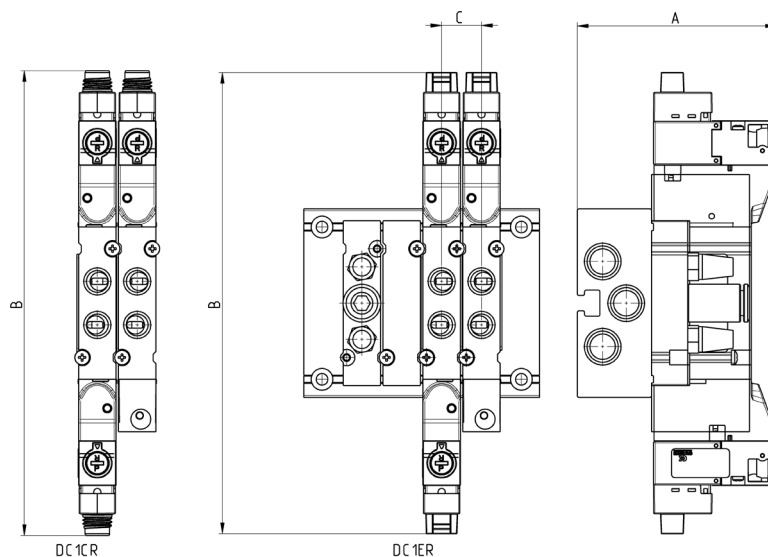
Mod.	Pitch	A	B	C	D	E
D4AVA-Y	25	92,5	19	48,5	20	4,2

Coding Example Manifold with valves and fittings

DC	A	1	E	P	-	MBMXCVB	-	3BX2AB	-	CSL	-	R
DC	SERIES											
A	MANIFOLD WITH VALVES A = For type VA valve											
1	SIZE 1 = 10,5 mm 2 = 16 mm 4 = 25 mm											
E	ACTUATION E = Electric (D1 and D2) 3 = Electric with solenoid 15 mm (D2 and D4) C = Electric with M8 connector (D1 and D2) P = Pneumatic											
P	TYPE OF MANUAL OVERRIDE P = Push button (not for "3" actuation) R = With push and turn device 0 = Without manual override (for "P" actuation)											
MBMXCVB	TYPE OF VALVE / SOLENOID VALVE M = 5/2 Monostable B = 5/2 Bistable C = 2 x 3/2 NC A = 2 x 3/2 NO G = 2 x 3/2 (NC + NO) V = 5/3 CC K = 5/3 CO N = 5/3 CP L = Free position X = Additional supply and exhaust Y = Additional supply and exhaust with silencer						SOLENOID VALVE WITH EXTERNAL SERVO-PILOT SUPPLY MZ = 5/2 Monostable BZ = 5/2 Bistable CZ = 2 x 3/2 NC AZ = 2 x 3/2 NO GZ = 2 x 3/2 (NC + NO) VZ = 5/3 CC KZ = 5/3 CO NZ = 5/3 CP					
3BX2AB	CONNECTIONS ON VALVE POSITIONS T = Thread A = Ø4 (D1) Fittings 6512 4-M7-M B = Ø6 (D1) Fittings 6512 6-M7-M C = Ø8 (D2) Fittings S6510 8-1/4 (D2) S6510 6-1/4 D = Ø10 (D2) Fittings 6512 10-1/4-M E = Ø12 (D4) Fittings S6510 12-3/8 (D4) S6510 10-3/8 F = Ø14 (D4) Fittings S6510 14-3/8 L = Free position X = Threaded plate Y = See code D1AVA-Y / D2AVA-Y / D4AVA-Y									The pneumatically operated solenoid valves with external servo-pilot supply with connections from A to F are already equipped with fittings on the pilot ports Ø4 (D1 and D2) 6512 4 - M5 Ø6 (D4) 6512 6 - M5		
CSL	MANIFOLD CONNECTIONS T = Thread (on both sides) C = Fittings on connections 1;3;5 CS = Fittings Ø8 - Silencer 2931 1/8 on supply + silencers on exhausts D = Fittings Ø10 on connections 1;3;5 DS = Fittings Ø10 on supply + silencers on exhausts E = Fittings Ø12 on connections 1;3;5 ES = Fittings Ø12 on supply + silencers on exhausts F = Fittings Ø14 on connections 1;3;5 FS = Fittings Ø14 on supply + silencers on exhausts G = Fittings Ø16 (D4), S6510 16-1/2 GS = Fittings Ø16 on supply + silencers on exhausts						(D1) 6512 8-1/8-M (D1) 6512 8-1/8-M + 2921 1/8 (D2) S6510 10-3/8 (D2) S6510 10-3/8 + 2921 3/8 (D2) S6510 12 3/8 (D2) S6510 12 3/8 + 2921 3/8 (D4) S6510 14-1/2 (D4) S6510 14-1/2 + 2921 1/2 (D4) S6510 16-1/2 (D4) S6510 16-1/2 + 2921 1/2					
	CONNECTION SIDE = Both L = Fittings on the Left (right side covered) R = Fittings on the Right (left side covered)											
R	FIXING = Direct R = Port for DIN rail (only for D1)											
In case of the same consecutive codes, group them and indicate the total quantity, for example: DCA1EP-MMMYCCVG-BBBYBAAA-CSL-R DCA1EP-3MY2CVG-3BYB3A-CSL-R. VERSION 3, through the connector with rectifier bridge, can be used for AC applications. (see the connectors at the end of the section).												

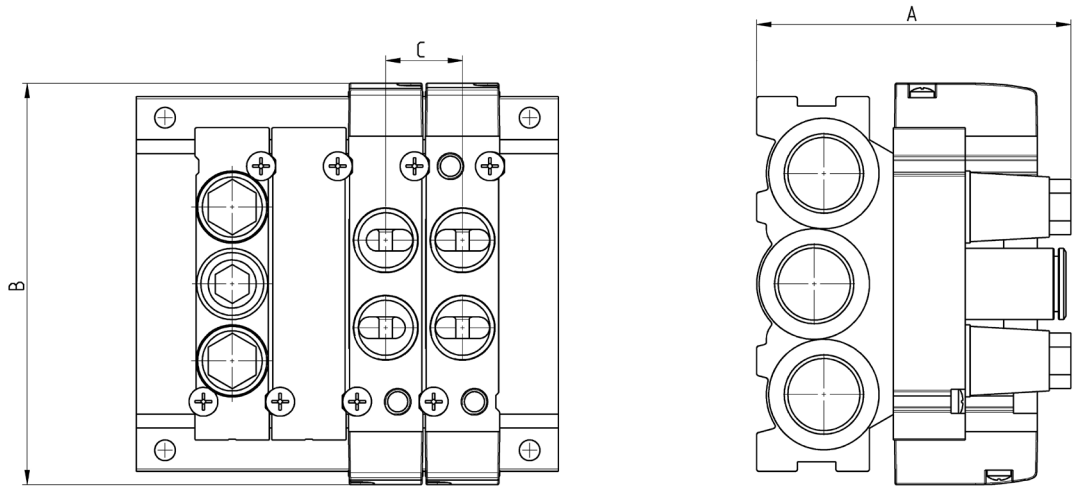
VALVES AND SOLENOID VALVES
SERIES D VA VERSION - DIMENSIONS
Manifold with valves, outlets on the body - size 10,5


Mod.	A	B	C
DCA1P0-	47,5	71	11

Manifold with solenoid valves, outlets on the body - size 10,5


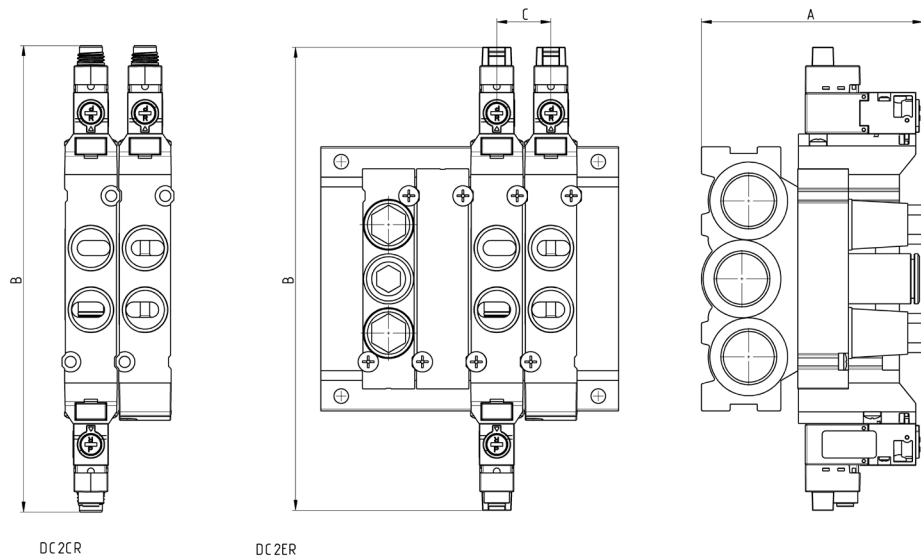
Mod.	A	B	C
DCA1ER-	55	127,2	11
DCA1CR-	55	128,2	11

Manifold with valves, outlets on the body - size 16



Mod.	A	B	C
DCA2P0-	65,5	83,5	16

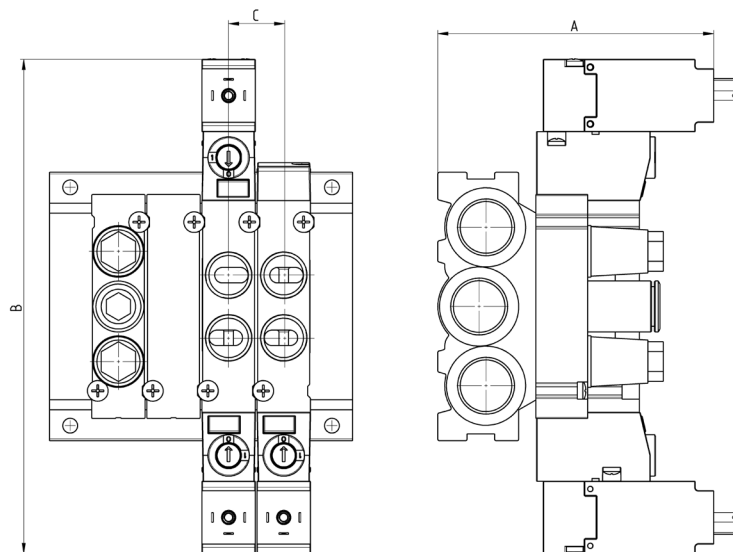
Manifold with solenoid valves, outlets on the body - size 16



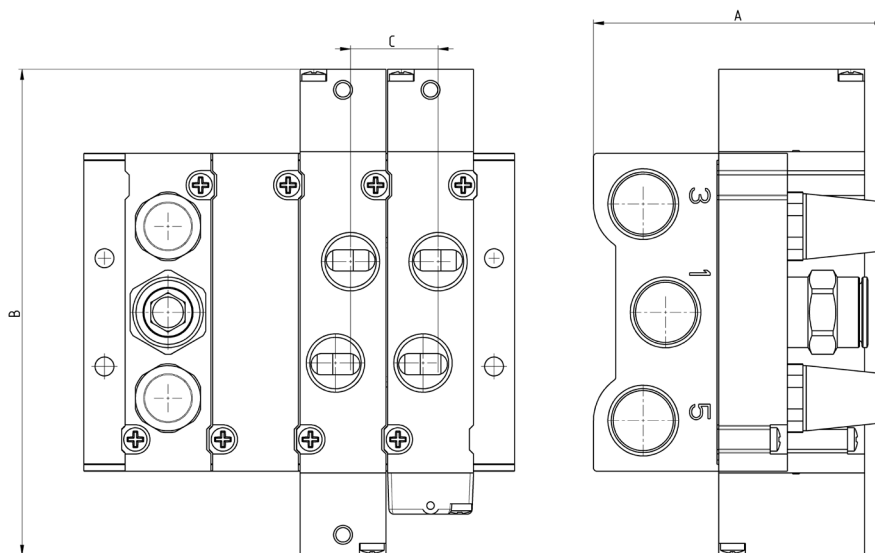
DC2CR

DC2ER

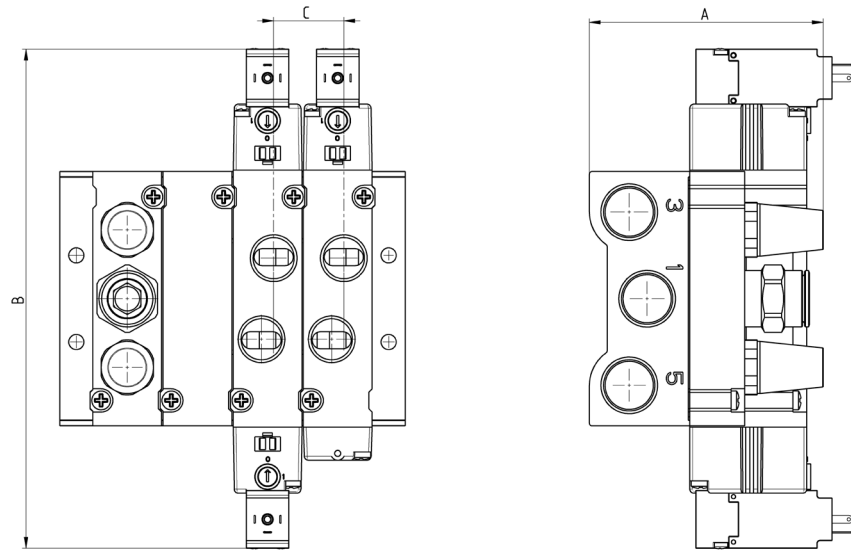
Mod.	A	B	C
DCA2ER-	65,5	136,7	16
DCA2CR-	65,5	137,7	16

VALVES AND SOLENOID VALVES
SERIES D VA VERSION - DIMENSIONS
Manifold with solenoid valves, outlets on the body - size 16


Mod.	A	B	C
DCA23R-	80,2	143,5	16

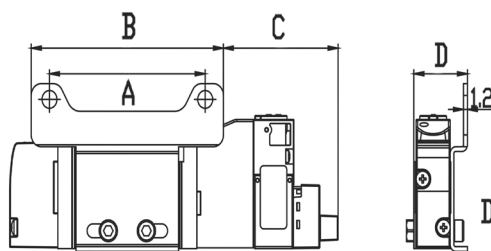
Manifold with valves, outlets on the body - size 25


Mod.	A	B	C
DCA4P0-	85	141,5	25,5

Manifold with solenoid valves, outlets on the body - size 25


Mod.	A	B	C
DCA43R-	85	181,5	25,5

Horizontal mounting foot PCV-62-KEN

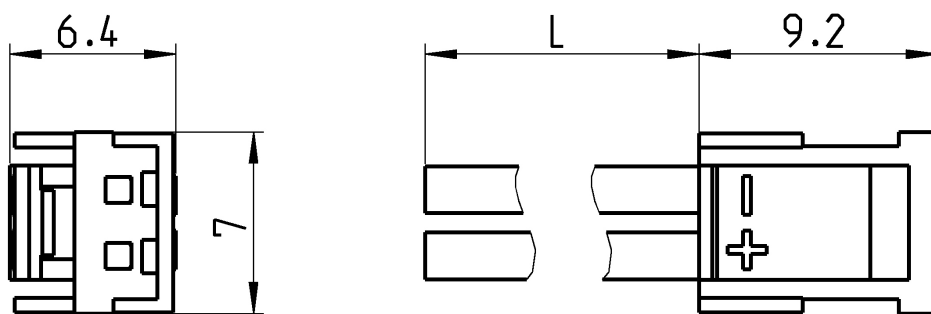
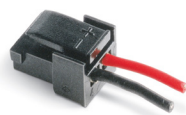


Size	A	B	C	D
1	47	56	34,6	16,2
2	47	56	39,4	21,3

VALVES AND SOLENOID VALVES

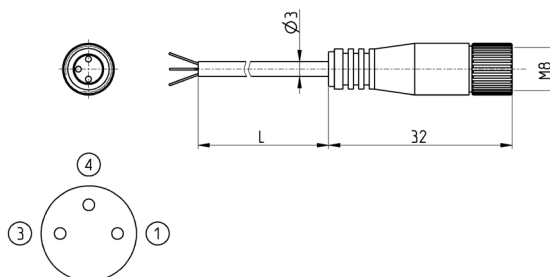
Connector Mod. 121-8.. for "E" actuation

6



Mod.	Description	Colour	Cable length [mm]	Cable holding
121-803	Crimped cable	Black	300	Crimping
121-806	Crimped cable	Black	600	Crimping
121-810	Crimped cable	Black	1000	Crimping
121-830	Crimped cable	Black	3000	Crimping

3-wire extension with M8 3-pin female connector for "C" actuation

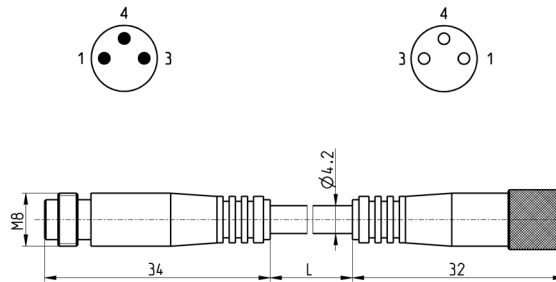


Mod.	Cable length [mm]
CS-2	2
CS-5	5
CS-10	10

Extension with M8 connector, 3 pin male/female

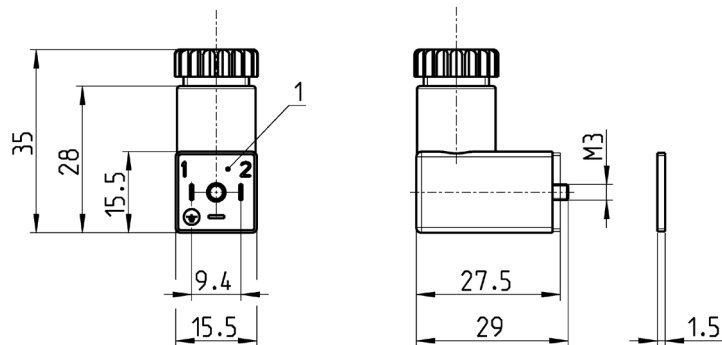


Non shielded
 General Purpose Input/
 Output (GPIO)



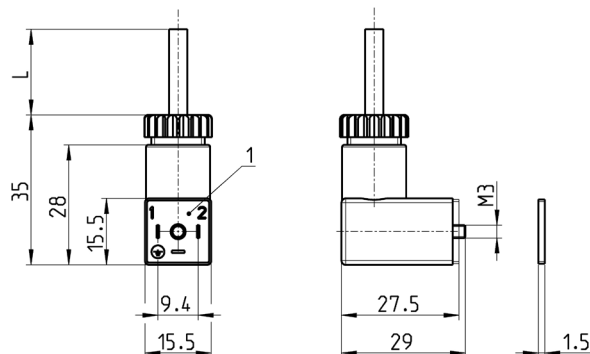
Mod.	Description	Type of connector	Connection	L (cable length) [m]
CS-DW03HB-C250	Moulded cable	Straight	M8 3 pin male / female	2,5
CS-DW03HB-C500	Moulded cable	Straight	M8 3 pin male / female	5

Connector Mod. 125-... for "3" actuation

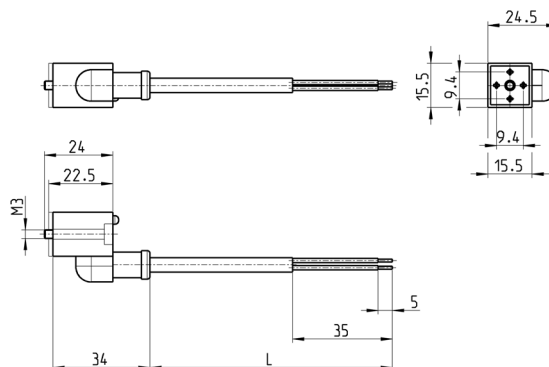


Mod.	Description	Colour	Working voltage	Cable gland	Tightening torque
125-601	Connector, diode + Led	Transparent	10/50 V DC	PG7	0,3 Nm
125-701	Connector, varistor + Led	Transparent	24 V AC/DC	PG7	0,3 Nm
125-800	Connector, without electronics	Black	-	PG7	0,3 Nm

Connector Mod. 125-... pitch 9,4 mm with cable for "C" actuation



Mod.	Description	Colour	Working voltage	Cable length [L]	Cable gland	Tightening torque
125-501-2	Moulded cable with diode + Led	Black	10/50 V DC	2000 mm	-	0,3 Nm
125-550-1	Moulded cable, without electronics	Black	-	1000 mm	-	0,3 Nm

VALVES AND SOLENOID VALVES
SERIES D VA VERSION - ACCESSORIES
In-line connectors with cable for "3" actuation


Mod.	Description	Colour	Working voltage	Cable length (L)	Cable gland	Tightening torque
125-503-2	In-line moulded cable, with diode + Led	Black	24 V DC	2000 mm	-	0,3 Nm
125-503-5	In-line moulded cable, with diode + Led	Black	24 V DC	5000 mm	-	0,3 Nm
125-553-2	In-line moulded cable, without electronics	Black	-	2000 mm	-	0,3 Nm
125-553-5	In-line moulded cable, without electronics	Black	-	5000 mm	-	0,3 Nm