

INTEGRATED
EQUIPMENT

TD-2



Monitoring and protection System



The TD-2 dual-channel monitoring system is designed for control, continuous monitoring and protection of any rotating machines. TD-2 can read any type of vibration sensors, Piezo IEPE or ICP, Electrodynamic Velocimeters or Proximitors. It manages all the CEMB sensors and can be configured for each range of sensor of any manufacturer.

- TD-2 interfaces with a supervision system either through 4-20 mA outputs or with connectivity MODBUS TCP-IP
- TD-2 is designed to be connected to an ETHERNET network with others TD-2 or by the TDSP multi-channel system and export the data for remote vibration analysis and machine status

Functions

- **VIBRATION + KEY PHASOR**
- **AXIAL DISPLACEMENT**
- **ROTATION SPEED:**
 - Zero Speed
 - Overspeed
 - Reverse rotation
- **ECCENTRICITY**
- **BALANCING 1,2 PLANES**

Technical Specification

- **Power supply:**
24 Vdc / 400 mA max
- **Installation:**
DIN rail or or IP65 die-cast aluminum case
- **Dimension:**
247x58.5x105.3 mm
- **Weight:** 800 g
- **Ambient conditions:**
-20°C ÷ +70°C
- **Humidity:** 95% non-condensing

NEW

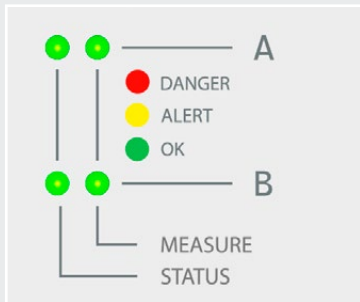


CEMB

BALANCING MACHINES

TD-2 INTEGRATED EQUIPMENT

LED INDICATORS FOR STATUS OF CHANNELS



- Threshold and alarms
- Diagnostic

PORTABLE INSTRUMENTS



N130 - N330



N600

Input signals replicated on the BNCs for analysis with portable systems

ETHERNET PORT FOR COMMUNICATION

- System Conguration
- Data Export & Analysis
- Balancing



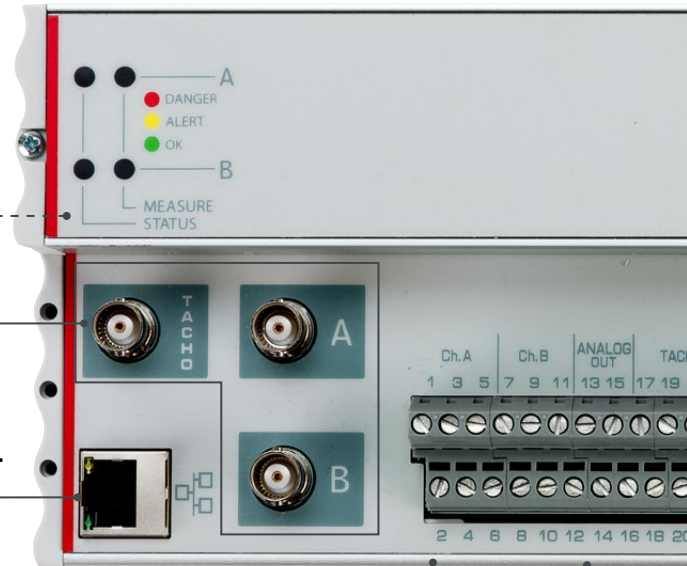
TCP/IP
MODBUS



LED

BNC

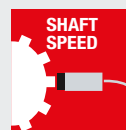
ETHERNET



ChA

ChB

CHA - CHB



FUNCTIONS

VIBRATION
PHASE

SHAFT POSITION

SHAFT SPEED
OVER SPEED
ZERO SPEED

ECCENTRICITY



2X ANALOG OUTPUT

4-20mA configurable
or
0-10V configurable

2X BINARY INPUT

- Trip multiplier
- Trip bypass

6X RELAY

Configurable relay

- NO/NC
- With/Without memory
- Setting time
- Triggering condition AND/OR

KEY-PHASOR

Proximator or photocell

KEY-PHASOR

TYPE OF SENSOR	SENSOR MODEL
VELOCITY TRANSDUCERS VELOCIMETER ACCELEROMETER	T1-40 TV-22 TV-32 TA-18/S (third party sensors)
PROXIMITORS	T-NC/8 API (third party sensors)
PROXIMITORS	T-NC/8 API T-NC/16/20/30 (third party sensors)
PROXIMITORS HALL SENSOR	T-NC/8 API T6-H T6-R (third party sensors)
PROXIMITORS	T-NC/8 API T-NC/16/20/30 (third party sensors)



TECHNICAL DATA

ORDER INFORMATION:

TD-2 / / /

A: FUNCTIONS

A1	Vibration + Phase (with Key Phasor)
A2	Displacements and Expansion
A4	Eccentricity
A5	Zero speed / Reverse Rotation / Overspeed

B: SENSOR TYPE

B1	Electrodynamic velocimeter	just for A1
B2	IEPE accelerometer o velomitor	just for A1
B3	Proximity	all
B4	Electromagnetic sensor	just for A5
B5	Hall effect sensor	just for A5
B7	General 0-10V	just for A2
B8	Digital sensor NPN	just for A5
B9	Digital sensor PNP	just for A5

C: OUTPUT TYPE

C1	4-20 mA
C2	0-10 V

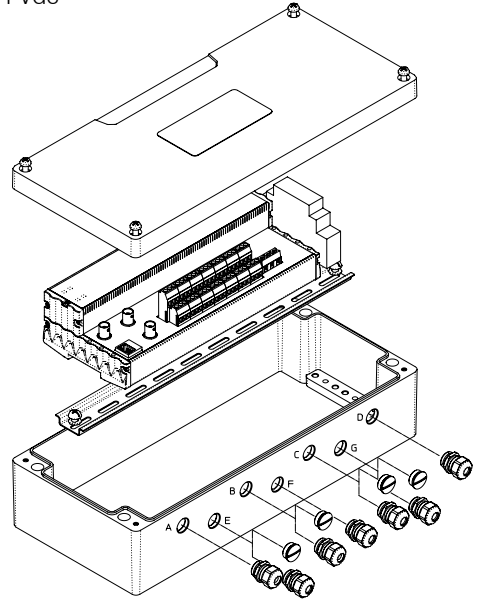
OPTIONAL:

Junction Box IP65 die-cast aluminum painted.
Dimensions 360x160x95 mm.

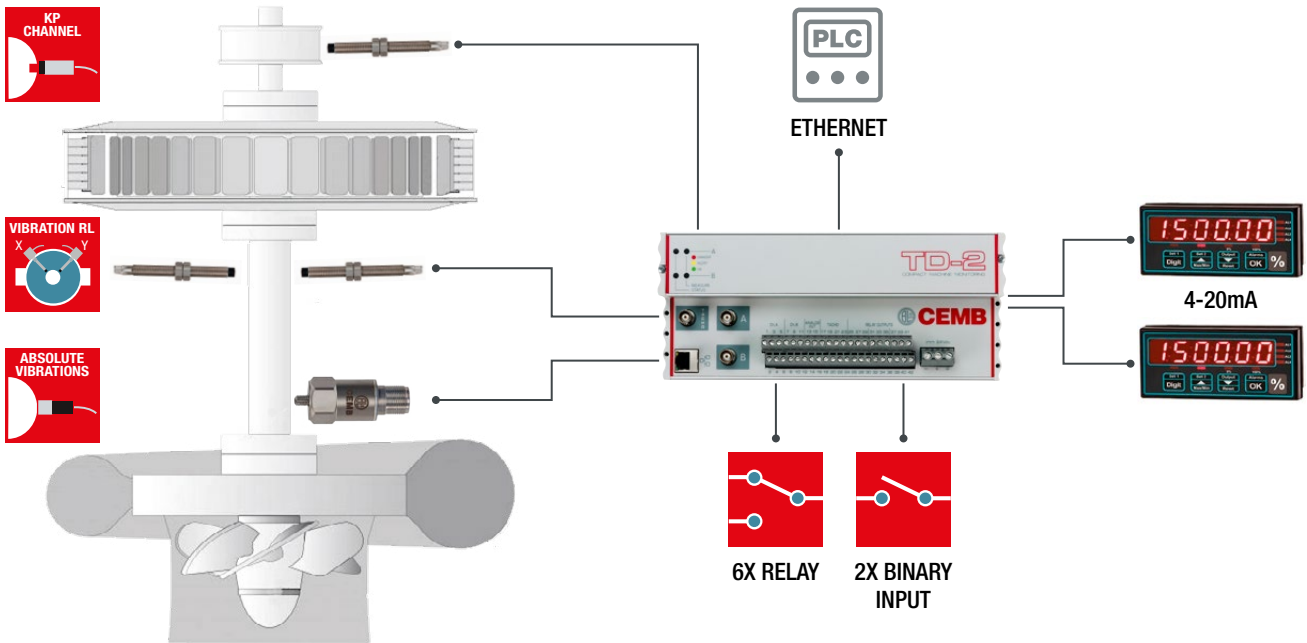
A
TD-E /

A: POWER SUPPLY

0	110/120 Vac (50-60 Hz)
1	24 Vdc



APPLICATION SAMPLE: vibration and phase (TD-2/A1)



CEMB S.p.A. - Via Risorgimento, 9
23826 Mandello del Lario (LC) - Italy
www.cemb.com



Vibration analysis division:
Phone +39 0341 706111
e-mail: stm@cemb.com

All the data and features mentioned in this catalogue are purely for information and do not constitute any commitment on the part of our company, which reserves the right to make any and all alterations it may consider suitable without notice.