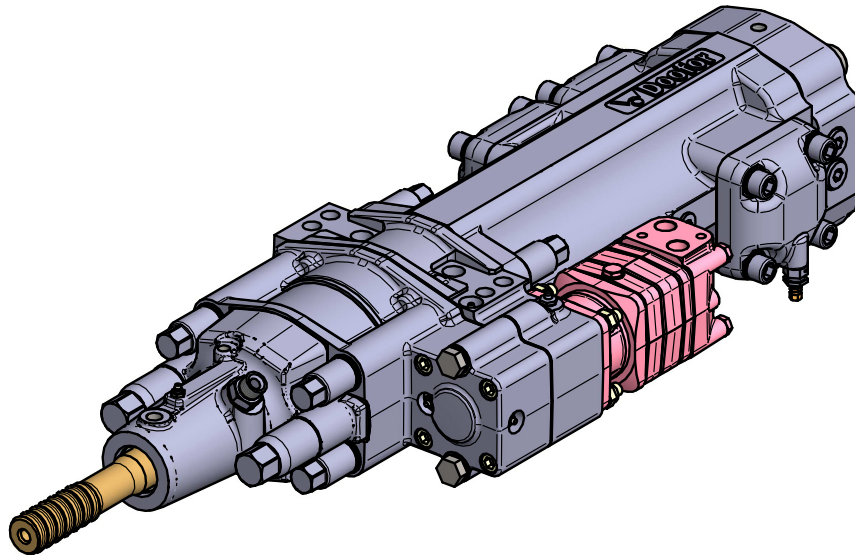


# DOOFOR DF550L-THD SPARE PART MANUAL

Type 16132



Manual revision A

 **Doofor**  
ROCK DRILLS

**Manual changelog:**

**Revision 0: Initial revision.**

**Revision A: New style revision.**

# DOOFOR DF550L-THD TYPE 16132 SPARE PARTS

## Kits

SPARE PART CODE	PART NAME
3233140	Seal kit
KITH0500H550	500h maintenance kit
KITH1000H550	1000h maintenance kit
KITH1500H550	1500h maintenance kit
KITH2000H550	2000h maintenance kit
3502233	Special tool kit
2220000	Accumulator charger





# DOOFOR DF550L-THD TYPE 16132 SPARE PARTS

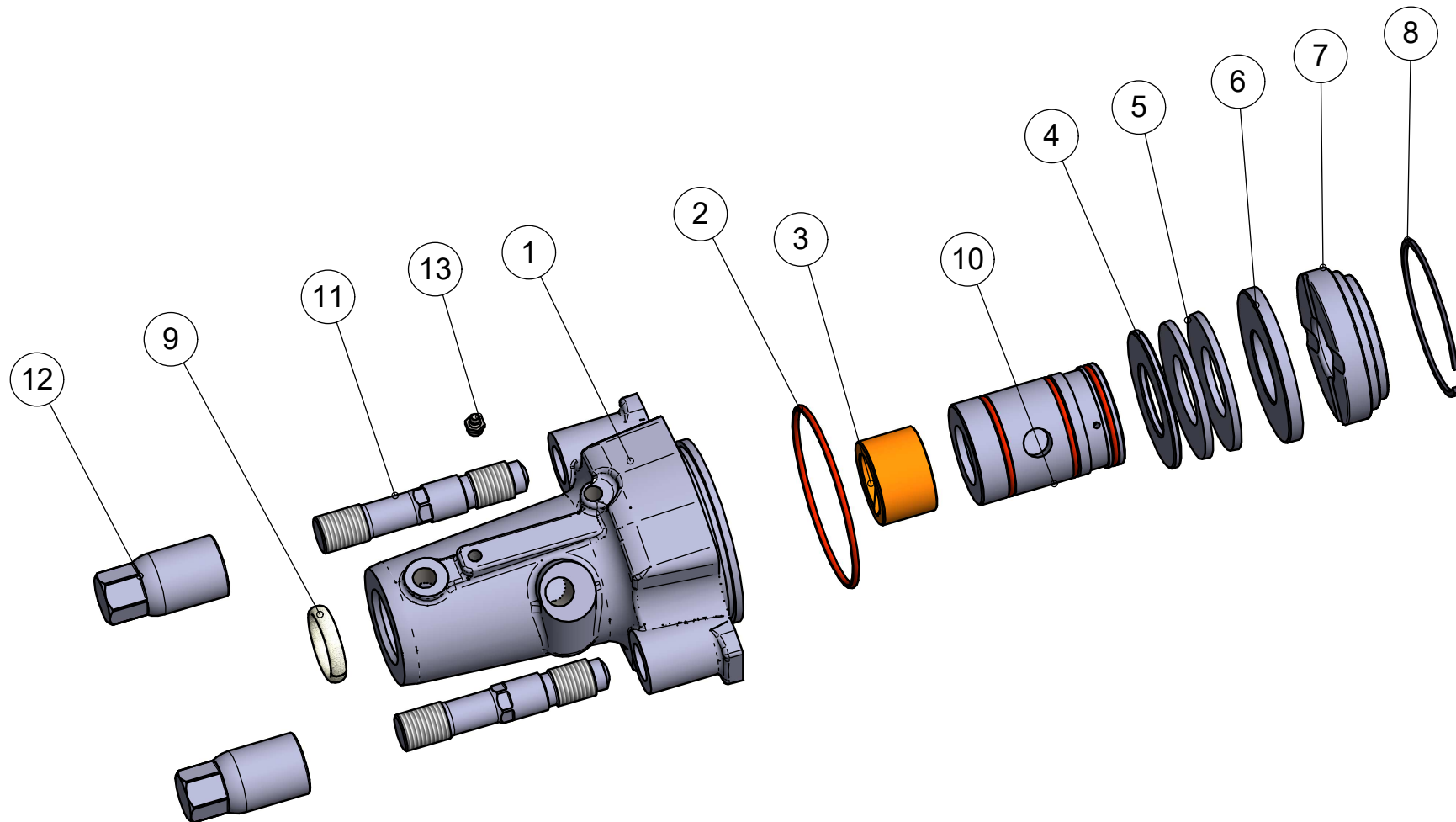
## Main assembly - MAIN

REF	ID	SPARE PART CODE	PART NAME	PCS	RECOMMENDED REPLACEMENT INTERVAL
MAIN	1	Assembly (FSA)	Front section assembly	1	Assembly (see parts)
MAIN	2	Assembly (GBA)	Gear box assembly	1	Assembly (see parts)
MAIN	3	Assembly (BCA)	Body cylinder assembly	1	Assembly (see parts)
MAIN	4	Assembly (RCA)	Rear cover assembly	1	Assembly (see parts)
MAIN	5	Assembly (ACC/HP)	HP Accumulator assembly	2	Assembly (see parts)
MAIN	6	Assembly (ACC/LP)	LP Accumulator assembly	1	Assembly (see parts)
MAIN	7	2024546 80cc 2024547 125cc 2024550 160cc 2024548 200cc 2024646 80cc with rear ports DF11298 125cc with rear ports 2024648 EPMS 125cc with rear ports 2024649 EPMS 160cc with rear ports	Hydraulic motor	1	Inspected
MAIN	8	515MR3801 R38 515MR3201 R32 515MT3801 T38	Shank adapter	1	Assembly (see parts)
MAIN	9	2704208	Gasket, flushing collar, DF550	1	500h
MAIN	10	Assembly (STB)	Stud bolts	1	Assembly (see parts)
MAIN	11	2704203	Plane seal accu/body	3	500h
MAIN	12	2704205	Gasket, body cylinder front DF550	1	500h
MAIN	13	164945	Nord-lock M16	12	500h
MAIN	14	1507100	Hex.socket bolt M16x50 8.8	12	500h
MAIN	15	1630989	Nord-lock M12	8	500h
MAIN	16	1507119	Bolt for rotation motor	4	500h
MAIN	17	2036859	O-ring	4	500h
MAIN	18	1494047	Hex.nut M12	4	500h
MAIN	19	Assembly (FAD)	Flushing adapter assembly	1	Assembly (see parts)



# FRONT SECTION ASSEMBLY SPARE PARTS

## Front section assembly - FSA



# FRONT SECTION ASSEMBLY SPARE PARTS

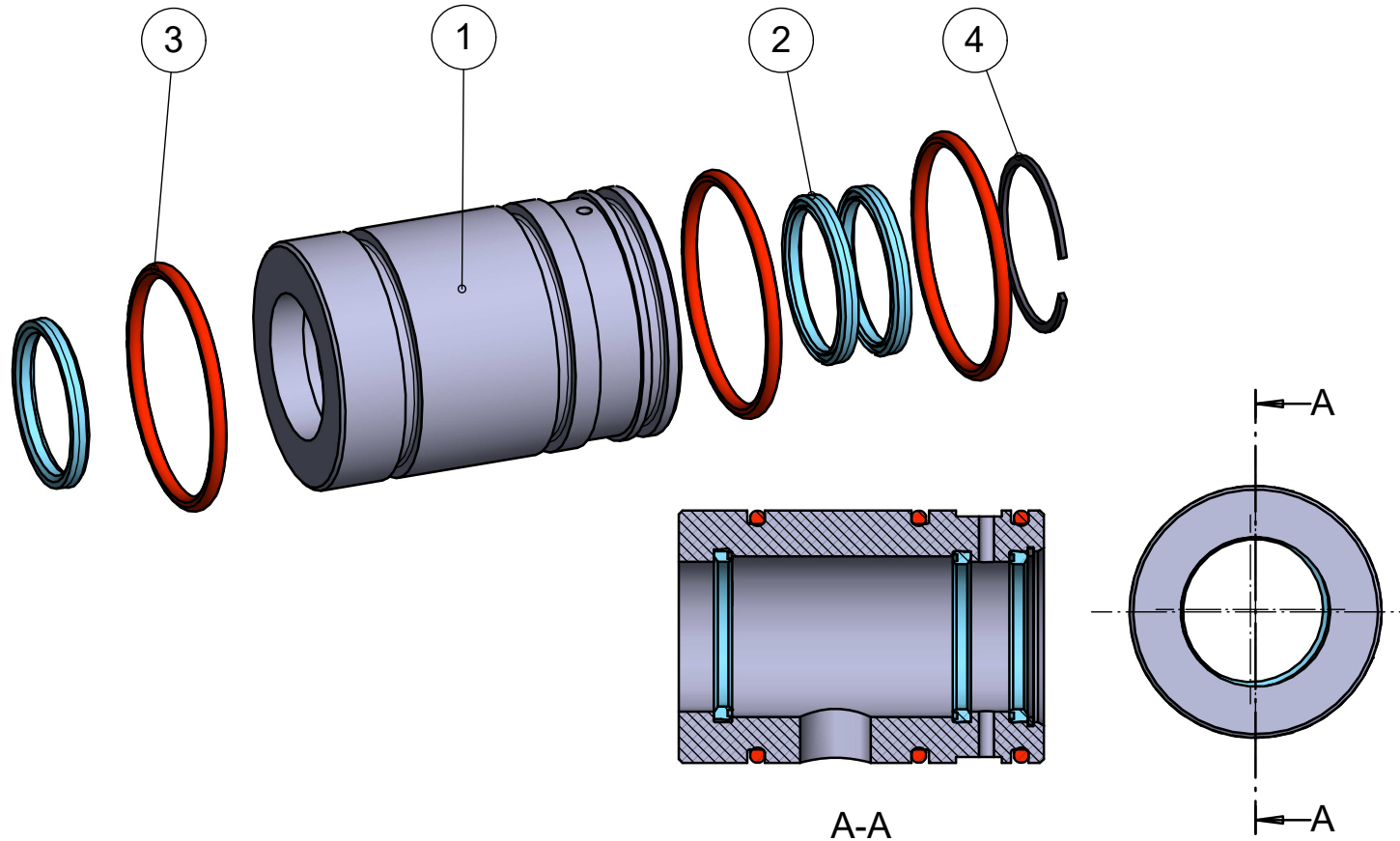
## Front section assembly - FSA

REF	ID	SPARE PART CODE	PART NAME	PCS	RECOMMENDED REPLACEMENT INTERVAL
FSA	1	1103082	Flushing collar	1	Inspected
FSA	2	2036757	O-ring THD	1	Depending on use and conditions
FSA	3	2567810	Bearing bushing	1	1000h
FSA	4	1594874	Flange 90	1	1500h
FSA	5	1366602	Spring plate	2	1500h
FSA	6	1594873	Flange 100	1	1500h
FSA	7	721397	Stop ring	1	1000h
FSA	8	1646997	Locking ring (Circlip)	1	Inspected
FSA	9	2177995	Fiber seal	1	Depending on use and conditions
FSA	10	Assembly (FBO)	Flushing box assembly	1	Assembly (see parts)
FSA	11	2966212	Stud bolt	2	Inspected
FSA	12	1096093	Hat nut	2	1000h
FSA	13	1882105	Grease nipple M10x1	1	Inspected



# FLUSHING BOX ASSEMBLY SPARE PARTS

## Flushing box assembly - FBO





# FLUSHING BOX ASSEMBLY SPARE PARTS

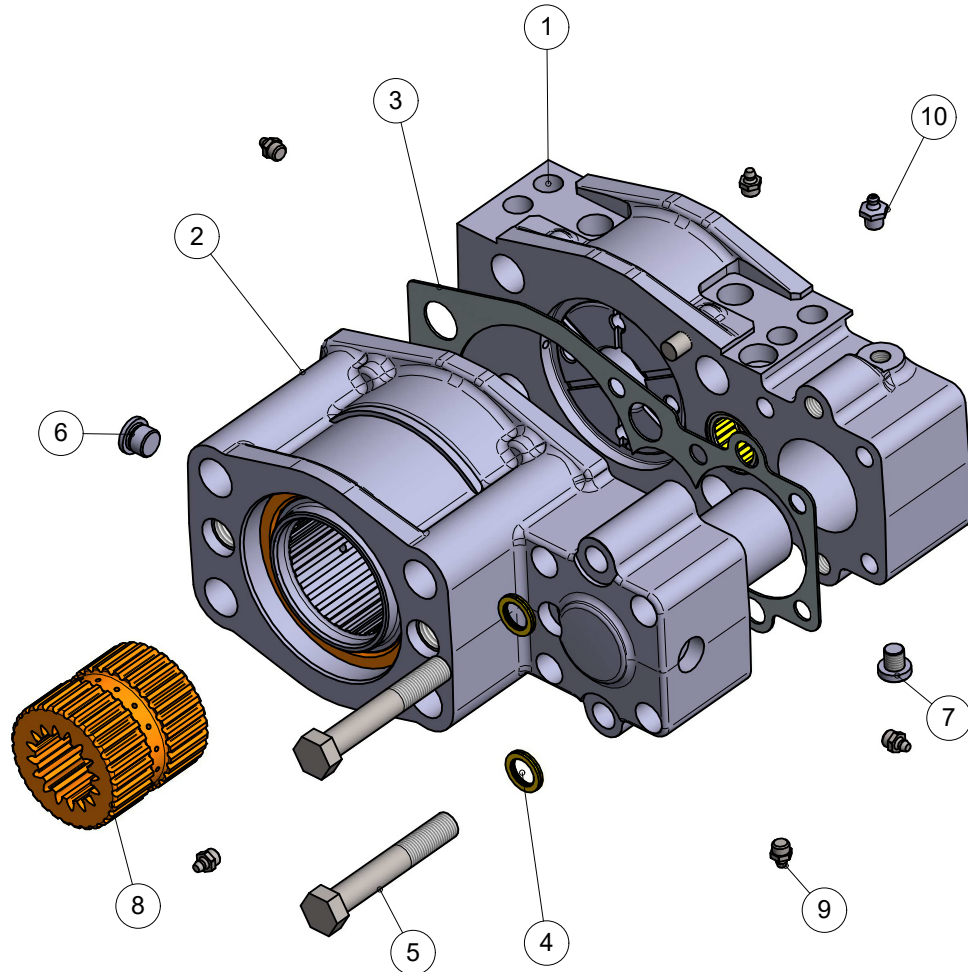
## Flushing box assembly - FBO

REF	ID	SPARE PART CODE	PART NAME	PCS	RECOMMENDED REPLACEMENT INTERVAL
FBO	1	1103090	Flushing box THD	1	1500h
FBO	2	2177994	Seal	3	Depending on use and conditions
FBO	3	2036755	O-ring THD	3	Depending on use and conditions
FBO	4	1638893	Lock ring	1	500h



# GEAR BOX ASSEMBLY SPARE PARTS

## Gear box assembly - GBA



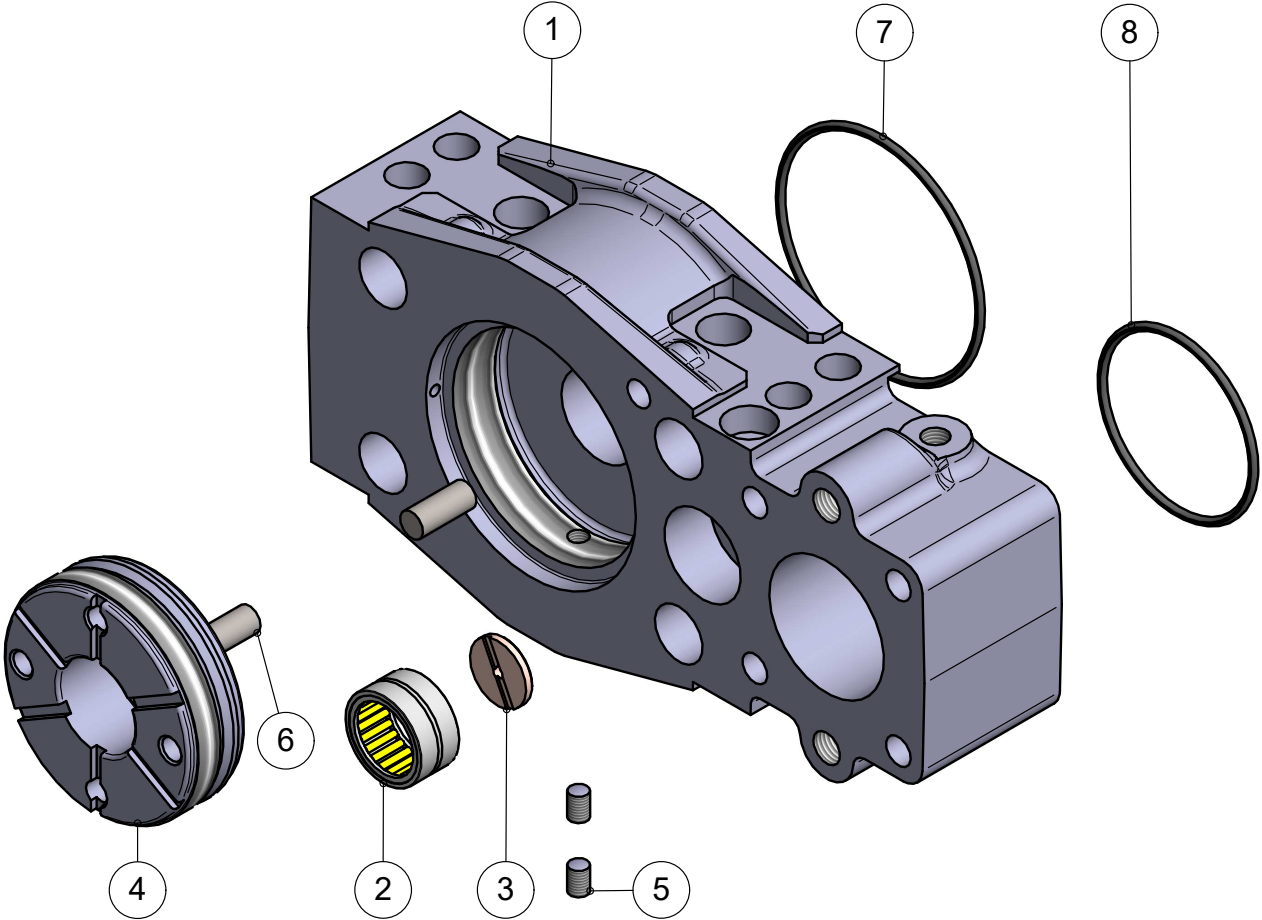
# GEAR BOX ASSEMBLY SPARE PARTS

## Gear box assembly - GBA

REF	ID	SPARE PART CODE	PART NAME	PCS	RECOMMENDED REPLACEMENT INTERVAL
GBA	1	Assembly (SFL)	Section flange assembly	1	Assembly (see parts)
GBA	2	Assembly (GBH)	Gear housing assembly	1	Assembly (see parts)
GBA	3	2676893	Plane gasket 560/M24	1	1000h
GBA	4	164945	Nord-lock M16	2	500h
GBA	5	1507096	Bolt M16x1,5x100 10.9	2	500h
GBA	6	2708297	Plug R3/8	1	Inspected
GBA	7	2708295	Plug R1/4	1	Inspected
GBA	8	1480779	Clutch sleeve bronze	1	1000h
GBA	9	1882105	Grease nipple M10x1	5	Inspected
GBA	10	1882104	Grease nipple 1/4"	1	Inspected

# SECTION FLANGE ASSEMBLY SPARE PARTS

## Section flange assembly - SFL



# SECTION FLANGE ASSEMBLY SPARE PARTS

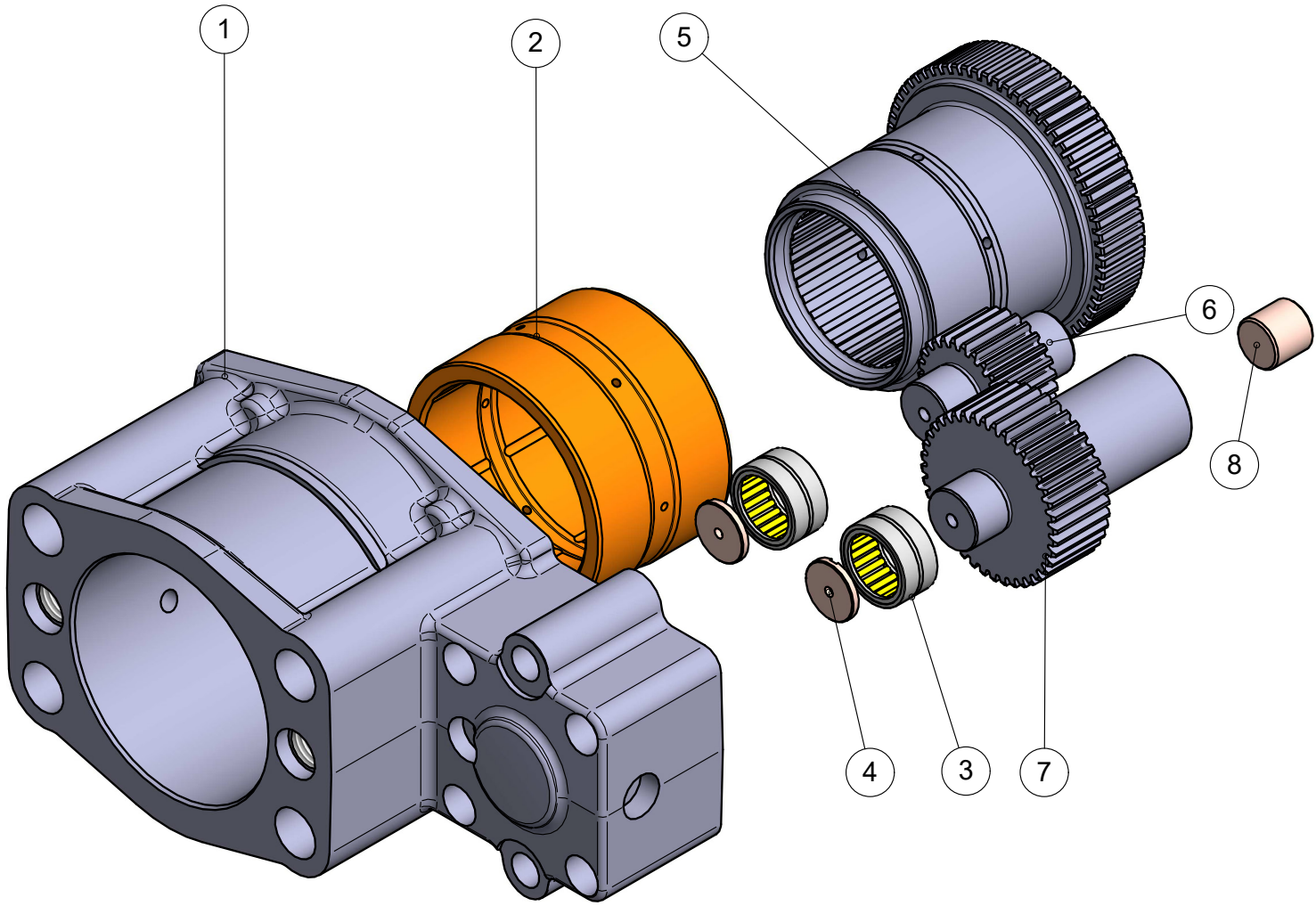
## Section flange assembly - SFL

REF	ID	SPARE PART CODE	PART NAME	PCS	RECOMMENDED REPLACEMENT INTERVAL
SFL	1	2949600	Section flange	1	Inspected
SFL	2	1871191	Needle bearing	1	500h
SFL	3	2153688	Thrust plate THD	1	500h
SFL	4	2153683	Thrust bearing	1	1000h
SFL	5	DF10883	Locking screw M10	2	Inspected
SFL	6	2656445	Lock pin, steel	2	Inspected
SFL	7	2036840	O-ring	1	500h
SFL	8	2036847	O-ring	1	500h



# GEAR HOUSING ASSEMBLY SPARE PARTS

## Gear housing assembly - GBH



# GEAR HOUSING ASSEMBLY SPARE PARTS

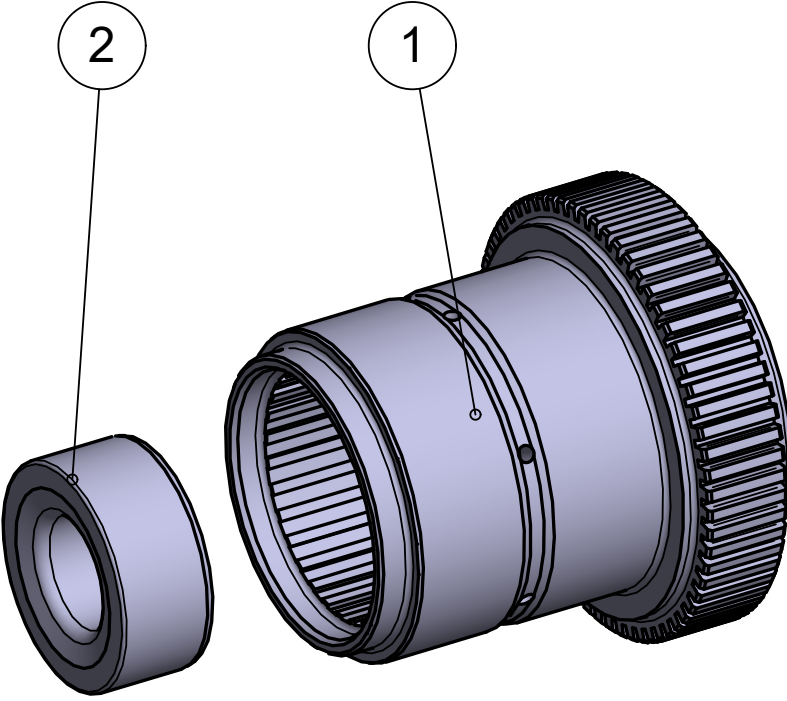
## Gear housing assembly - GBH

REF	ID	SPARE PART CODE	PART NAME	PCS	RECOMMENDED REPLACEMENT INTERVAL
GBH	1	2960204	Gear housing M24	1	Inspected
GBH	2	1871194	Bearing 100/120	1	1000h
GBH	3	1871191	Needle bearing	2	500h
GBH	4	2153688	Thrust plate THD	2	500h
GBH	5	Assembly (RBA)	Rotation bushing assembly	1	Assembly (see parts)
GBH	6	2961215	Middle gear	1	2000h
GBH	7	2921488	Drive shaft	1	2000h
GBH	8	2439790	Pin	1	500h



# ROTATION BUSHING ASSEMBLY SPARE PARTS

## Rotation bushing assembly - RBA





# ROTATION BUSHING ASSEMBLY SPARE PARTS

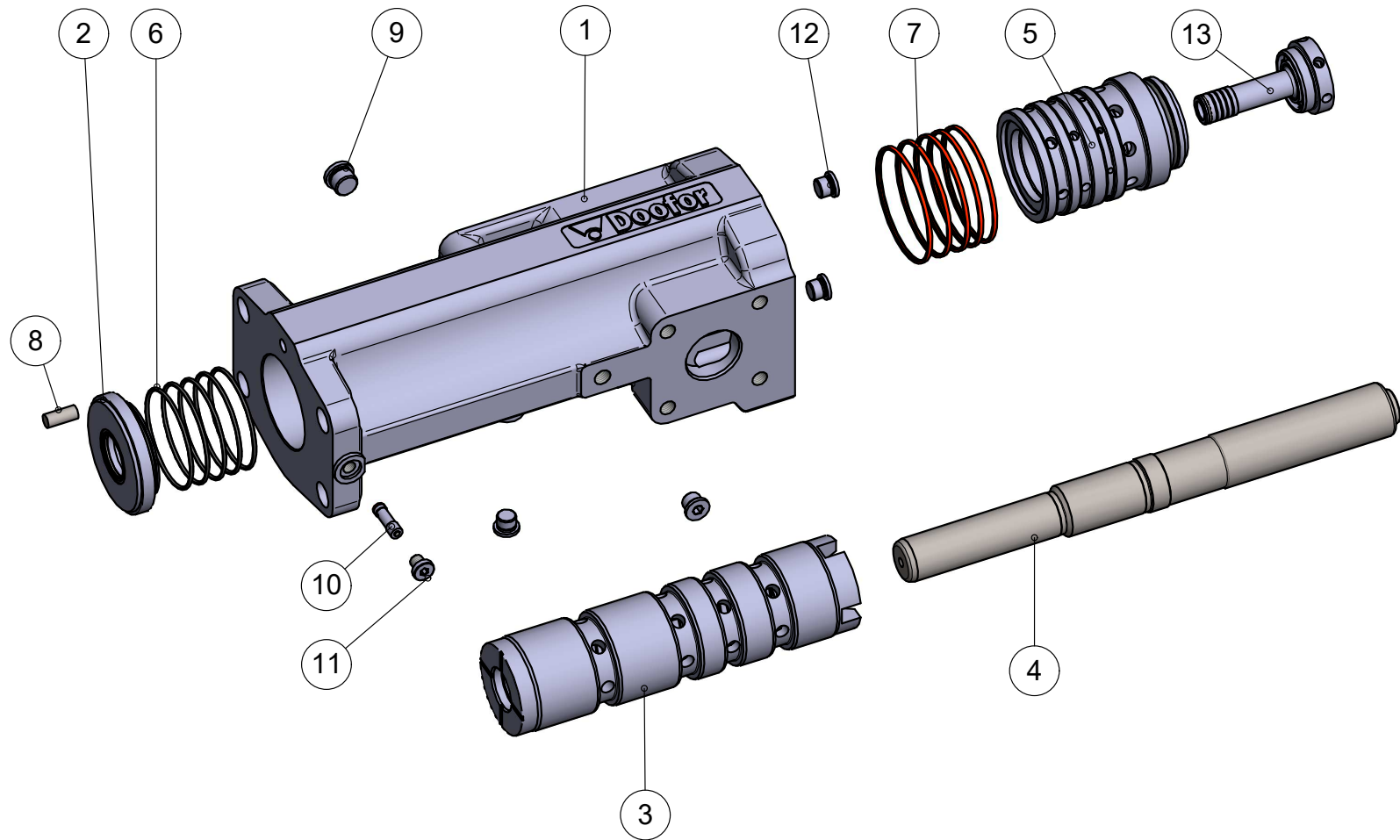
## Rotation bushing assembly - RBA

REF	ID	SPARE PART CODE	PART NAME	PCS	RECOMMENDED REPLACEMENT INTERVAL
RBA	1	2409298	Rotation bushing	1	2000h
RBA	2	2965406	Anvil ring	1	1500h



# BODY CYLINDER ASSEMBLY SPARE PARTS

## Body cylinder assembly - BCA



# BODY CYLINDER ASSEMBLY SPARE PARTS

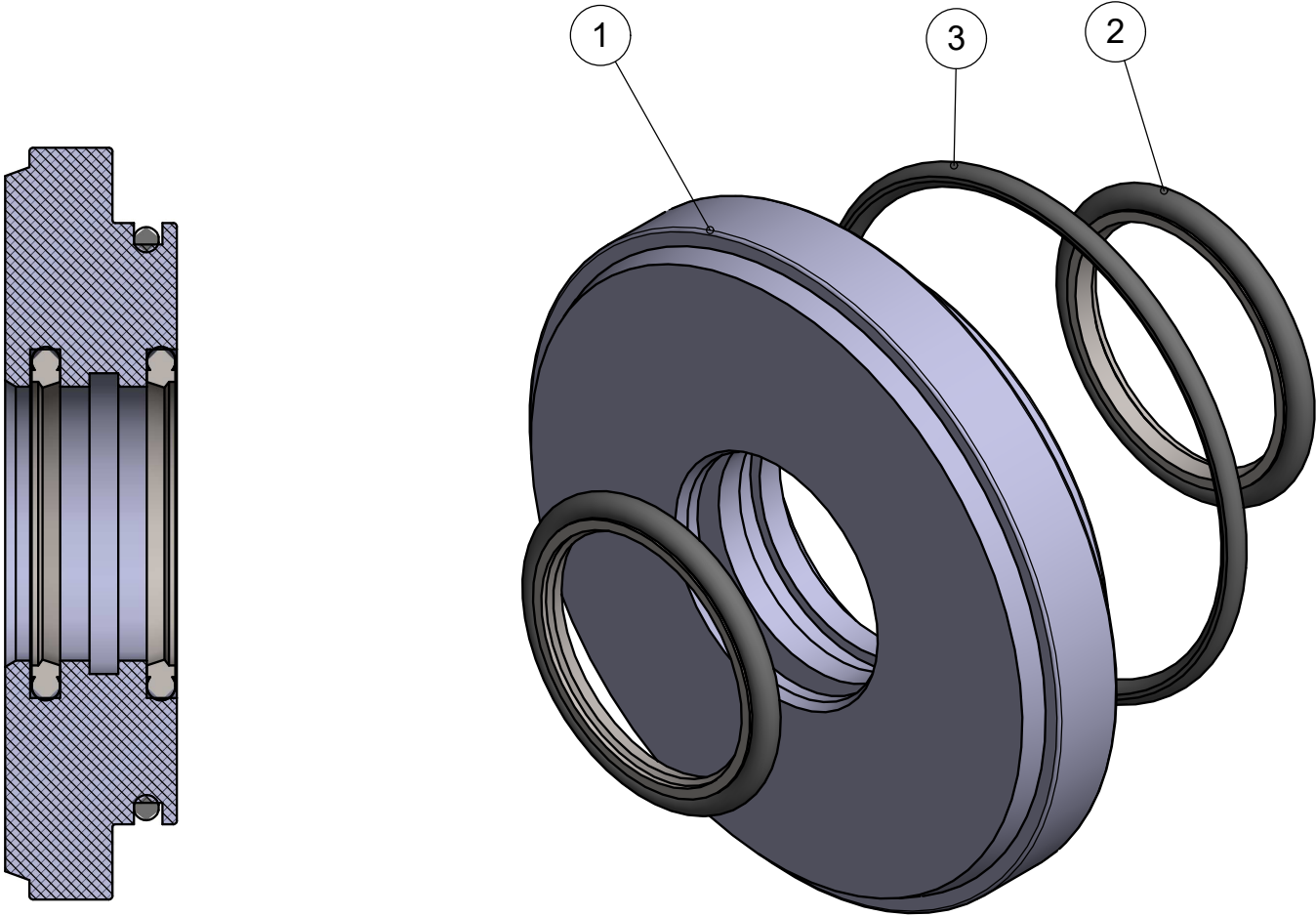
## Body cylinder assembly - BCA

REF	ID	SPARE PART CODE	PART NAME	PCS	RECOMMENDED REPLACEMENT INTERVAL
BCA	1	2443065	Body cylinder	1	inspected
BCA	2	assembly (SCO), see parts	Seal flange	1	assembly, see parts
BCA	3	2586010	Inner cylinder	1	2000h
BCA	4	1727818	Piston	1	2000h
BCA	5	assembly (VAL), see parts	Valve assembly	1	assembly, see parts
BCA	6	2036899	O-ring	5	500h
BCA	7	6195572	Seal	5	500h
BCA	8	2656445	Lock stud	1	inspected
BCA	9	2708299	Plug	1	inspected
BCA	10	2169289	Pressure limiter	1	inspected
BCA	11	2708295	Plug	1	inspected
BCA	12	2708297	Plug	5	inspected
BCA	13	assembly (RFL), see parts	Rear flange assembly	1	assembly, see parts



# SEAL FLANGE ASSEMBLY SPARE PARTS

## Seal flange assembly - SCO



# SEAL FLANGE ASSEMBLY SPARE PARTS

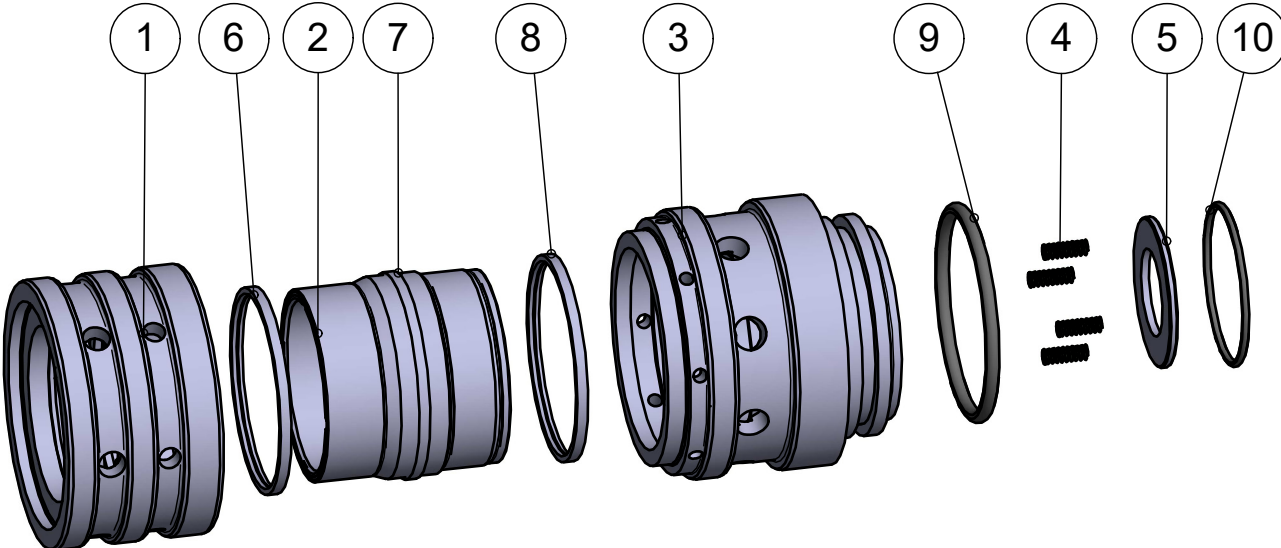
## Seal flange assembly - SCO

REF	ID	SPARE PART CODE	PART NAME	PCS	RECOMMENDED REPLACEMENT INTERVAL
SCO	1	2684301	Seal flange	1	2000h
SCO	2	544664	Seal	2	500h
SCO	3	2036847	O-ring	1	500h



# VALVE ASSEMBLY SPARE PARTS

## Valve assembly - VAL



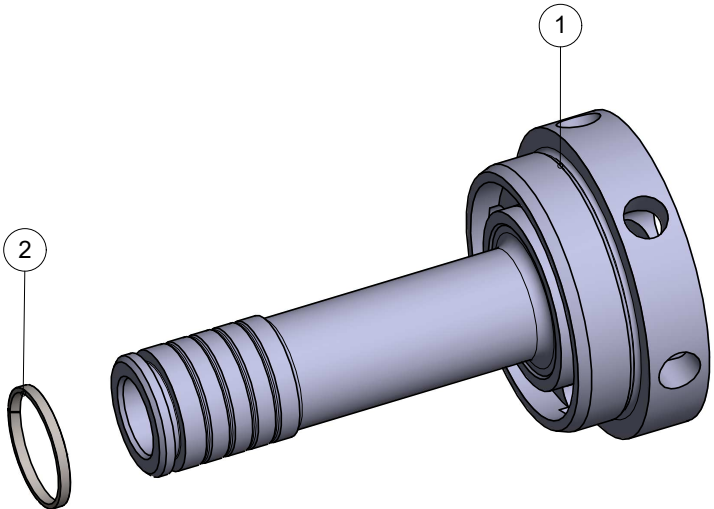
# VALVE ASSEMBLY SPARE PARTS

## Valve assembly - VAL

REF	ID	SPARE PART CODE	PART NAME	PCS	RECOMMENDED REPLACEMENT INTERVAL
VAL	1	705129	Front housing	1	inspected
VAL	2	2932045	Valve	1	1500h
VAL	3	2694902	Rear housing	1	inspected
VAL	4	135868	Spring	4	1000h
VAL	5	2949793	Valve plate	1	1500h
VAL	6	2677573	Seal	1	500h
VAL	7	2677571	Seal	1	500h
VAL	8	2677572	Seal	1	500h
VAL	9	2036902	O-ring	1	500h
VAL	10	2036905	O-ring	1	500h

# REAR FLANGE ASSEMBLY SPARE PARTS

## Rear flange assembly - RFL





# REAR FLANGE ASSEMBLY SPARE PARTS

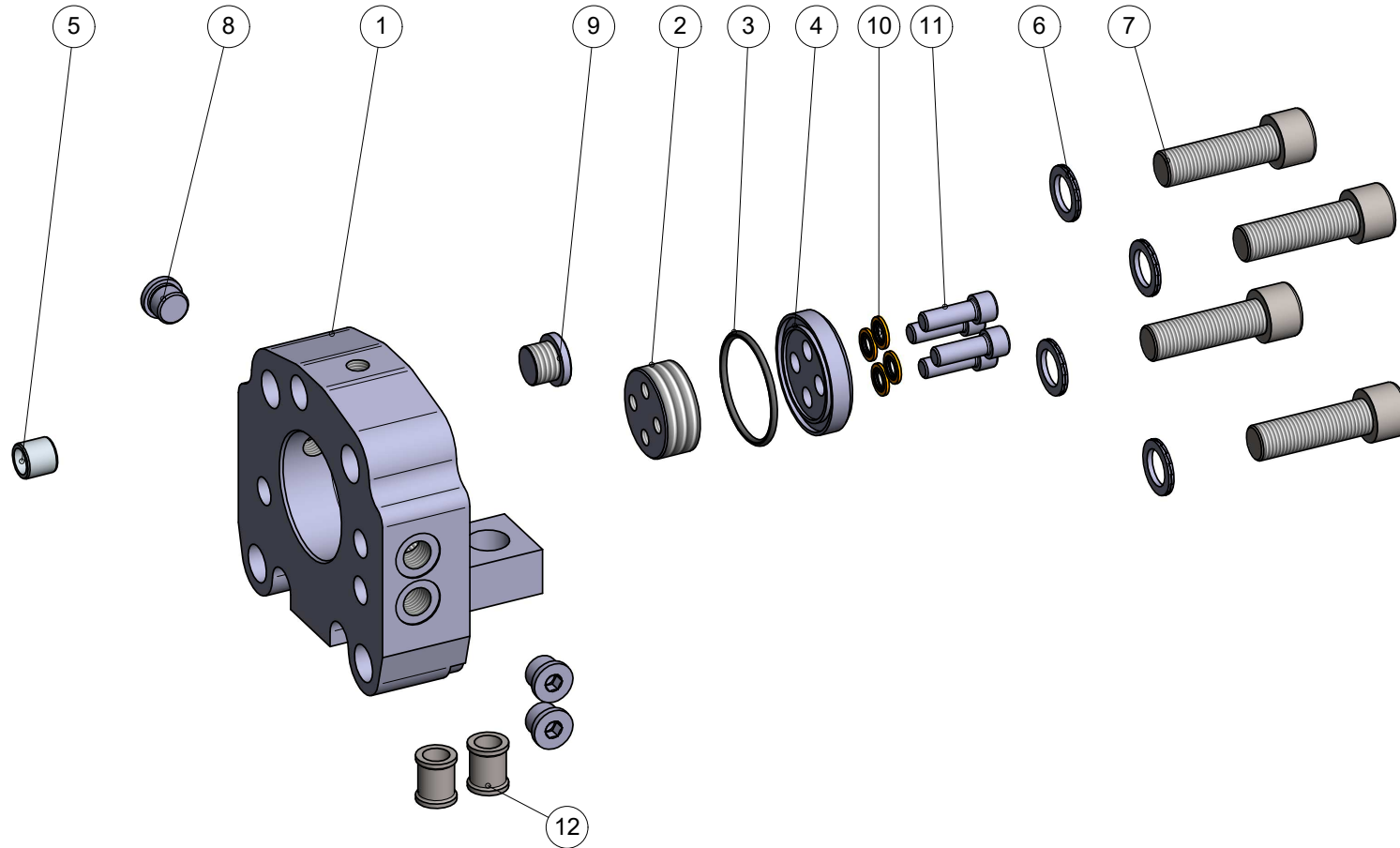
## Rear flange assembly - RFL

REF	ID	SPARE PART CODE	PART NAME	PCS	RECOMMENDED REPLACEMENT INTERVAL
RFL	1	2710296	Rear flange	1	1500h
RFL	2	2705504	Seal, steel	1	500h



# REAR COVER ASSEMBLY SPARE PARTS

## Rear cover assembly - RCA



# REAR COVER ASSEMBLY SPARE PARTS

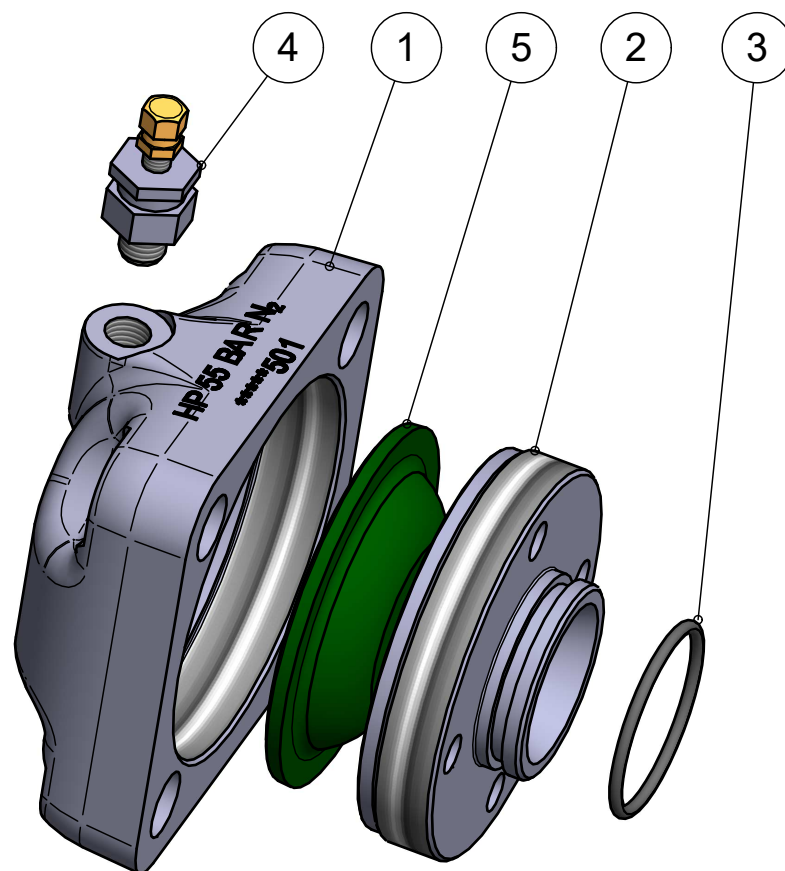
## Rear cover assembly - RCA

REF	ID	SPARE PART CODE	PART NAME	PCS	RECOMMENDED REPLACEMENT INTERVAL
RCA	1	2681701	Rear cover 550-560	1	Inspected
RCA	2	2170306	Restraining screw	1	2000h
RCA	3	2036928	O-ring	1	500h
RCA	4	1462485	Cover	1	2000h
RCA	5	2011339	Guide bushing	1	Inspected
RCA	6	164946	Nord-lock M22	4	500h
RCA	7	1507072	Hex.socket bolt M22x75	4	500h
RCA	8	2708299	Plug R1/2	3	Inspected
RCA	9	2708298	Plug R3/4	1	Inspected
RCA	10	2544807	Usit	4	500h
RCA	11	1507059	Hex. socket bolt M12x35	4	500h
RCA	12	1348089	Spring bushing, 30mm	2	Inspected



# ACCUMULATOR SPARE PARTS

## Accumulator HP/LP



# ACCUMULATOR SPARE PARTS

## Accumulator HP/LP

REF	ID	SPARE PART CODE	PART NAME	PCS	RECOMMENDED REPLACEMENT INTERVAL
ACC	1	n/a	Cover	1	inspected
ACC	2	n/a	Bottom	1	inspected
ACC	3	2036883	O-ring	1	500h
ACC	4	1516639	Gas valve	1	1000h
ACC	5	1462375	Diaphragm	1	500h

### Note!

Accumulator cover and bottom are sold only as a part of complete accumulator assembly:

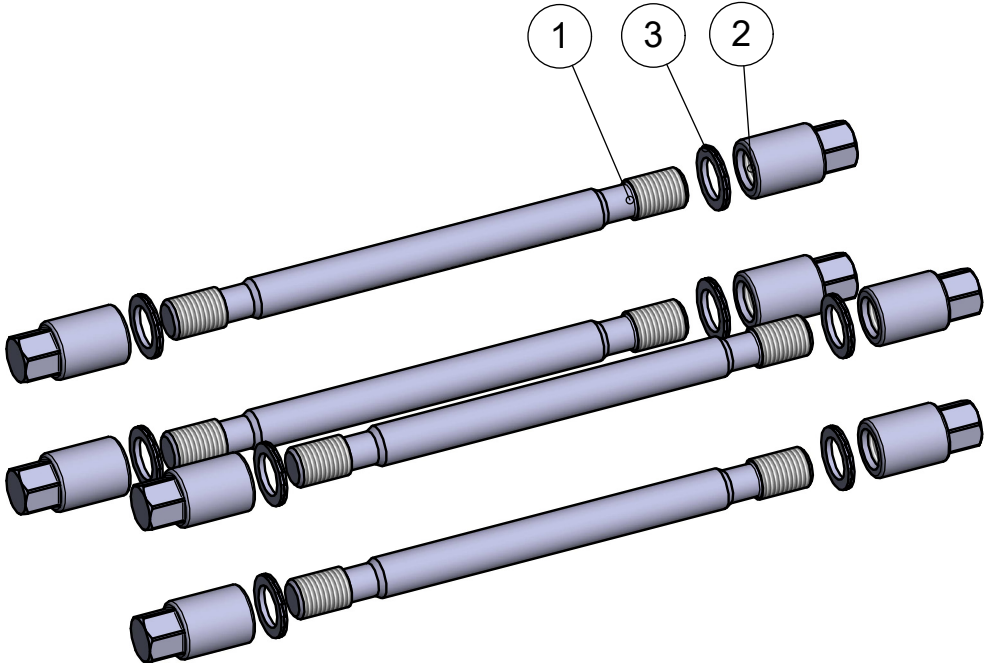
2125579 HP accumulator

2125580 LP accumulator



# STUD BOLT SPARE PARTS

## Stud bolts - STB



# STUD BOLT SPARE PARTS

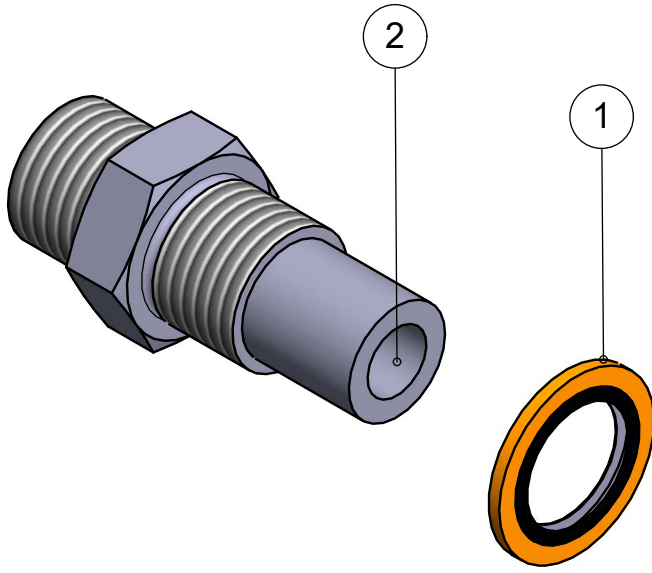
## Stud bolts - STB

REF	ID	SPARE PART CODE	PART NAME	PCS	RECOMMENDED REPLACEMENT INTERVAL
STB	1	2568260	Stud bolt	4	1000h
STB	2	1096094	Hat nut	8	1000h
STB	3	164946	Washer	8	500h



# FLUSHING ADAPTER SPARE PARTS

## Flushing adapters - FAD





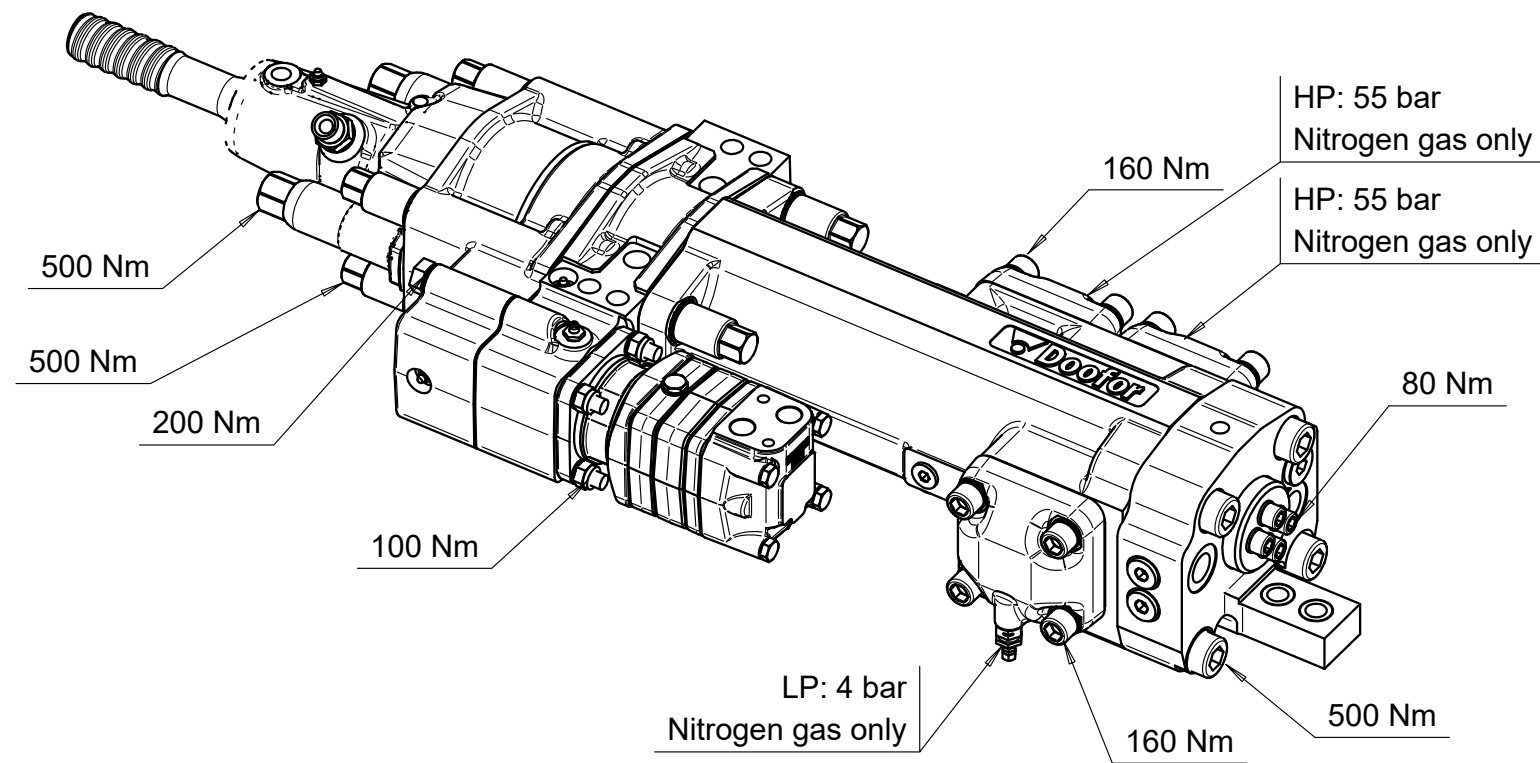
# FLUSHING ADAPTER SPARE PARTS

## Flushing adapters - FAD

REF	ID	SPARE PART CODE	PART NAME	PCS	RECOMMENDED REPLACEMENT INTERVAL
FAD	1	2544799	Seal	1	500h
FAD	2	2569200	Flushing nipple	1	1000h
		2569204	R1/2		
		2569206	R3/4		
		2569207	M22x1.5		
		2569208	M30x1.5		
		2569209	JIC 7/8		
			JIC 1 1/16		

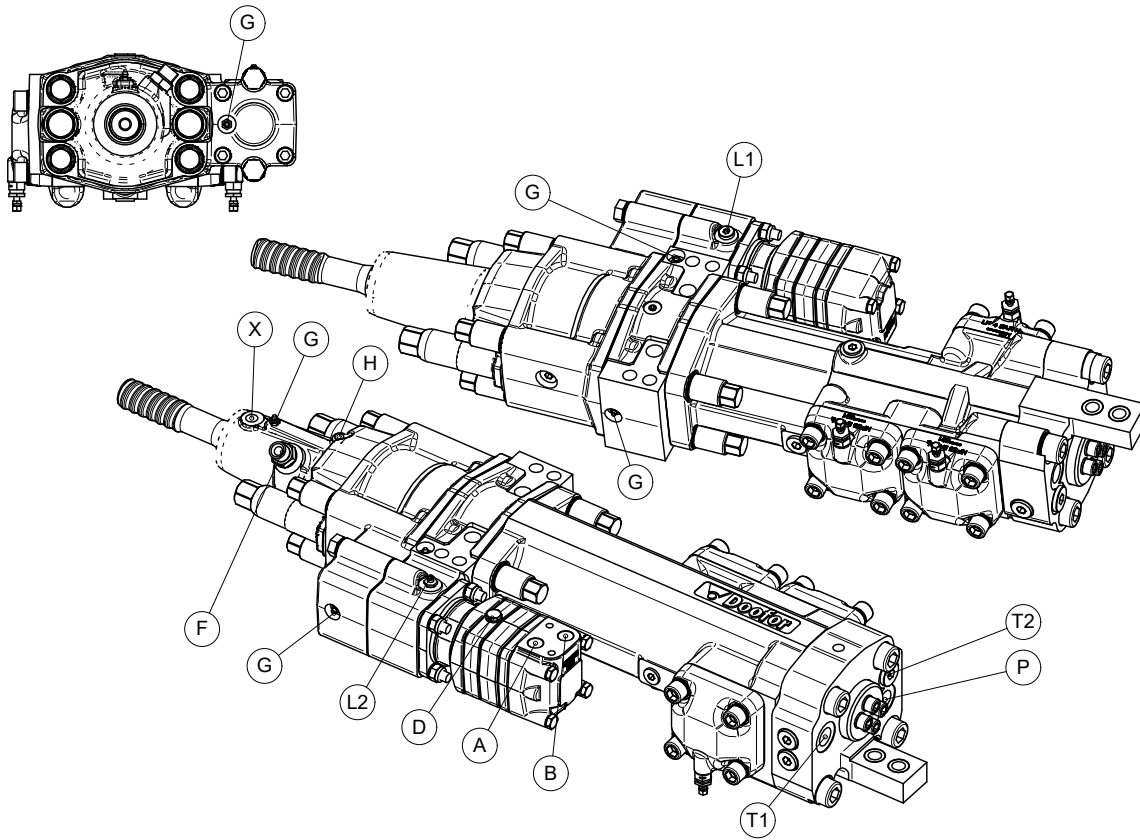
# DF550L-THD TYPE 16132 INFORMATION

## Bolt tightening torque



# DF550L-THD TYPE 16132 INFORMATION

## Connections



### Ports:

A) G1/2" Rotation A.

B) G1/2" Rotation B.

D) G1/4" Drain. Connection normally not required.

F) G1/2" (or G3/4" or other) Special flushing adapter. Do not replace with a standard hydraulic adapter.

G) Grease fitting.

H) Flushing leak indicator hole. Used only with water flushing. Indicates seal failure.

L1) G1/4" Pressurised air-oil mist lubrication port, or grease fitting.

L2) G1/4" Alternative pressurised air-oil mist lubrication port, or grease fitting.

P) G3/4" Percussion pressure port.

T1) G3/4" Percussion return to tank port.

T2) G3/4" Alternative percussion return to tank port. Plugged.

X) G3/8" Pressurised air-oil mist lubrication exit.





Doofor Inc.  
Kaarnakatu 11  
FI-37150 Nokia

Tel. +358 3 343 0747  
information@doofor.fi

**[www.doofor.com](http://www.doofor.com)**