

# Submittal Data

PROJECT:	UNIT TAG:	QUANTITY:
REPRESENTATIVE: _____	TYPE OF SERVICE:	DATE: _____
ENGINEER:	SUBMITTED BY:	DATE:
CONTRACTOR:	APPROVED BY:	DATE:
	ORDER NO.:	DATE:



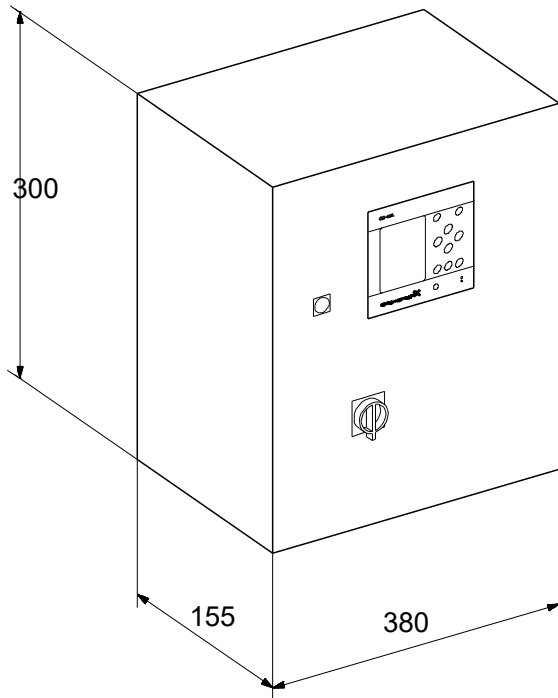
## Control MPC Series 2000 - 6 p.

Pump controller designed for control and monitoring of up to six Grundfos MAGNA, UPE and TPE Series 2000 pumps

Note! Product picture may differ from actual product

Conditions of Service	Pump Data	Motor Data
	Product number: On request	Rated voltage: 100-240V, 50/60HZ, PE V Mains frequency: 50 / 60 Hz Enclosure class: IP54

# Submittal Data



**Materials:**

Qty.	Description
1	<p><b>Control MPC Series 2000 - 6 p.</b> Product No.: On request</p> <p>Product description Control MPC Series 2000 is a pump controller designed for control and monitoring of six Grundfos MAGNA, UPE or TPE Series 2000 pumps. All pumps must be of the same pump type. Control MPC Series 2000 is used for controlling circulator pumps in heating and air-conditioning applications.</p> <p>Control MPC Series 2000 ensures optimal adaptation of the performance to the demand by closed-loop control of</p> <ul style="list-style-type: none"> <li>- proportional differential pressure</li> <li>- constant differential pressure</li> </ul> <p>By means of an external sensor Control MPC Series 2000 can also ensure optimal adaptation of the performance to the demand by closed-loop control of</p> <ul style="list-style-type: none"> <li>-differential pressure (remote) <ul style="list-style-type: none"> <li>- flow</li> <li>- temperature</li> <li>- temperature difference.</li> </ul> </li> </ul> <p>Control MPC Series 2000 can also control pumps running in open-loop control.</p> <p>Control MPC Series 2000 incorporates a control cabinet with the CU 351 pump controller and a mains switch.</p> <p>At the first start-up, Control MPC Series 2000 will show a start-up wizard which helps you commission your system according to your specific installation. Having fulfilled the start-up wizard, the Control MPC Series 2000 will act according to your special needs and demands.</p> <p>Functions Control MPC Series 2000 incorporates the setting/monitoring of the following functions:</p> <ul style="list-style-type: none"> <li>- Setpoint</li> <li>- Warnings and alarms</li> <li>- Alarm log (storage of up to 24 warnings and alarms)</li> <li>- PI controller adjustment</li> <li>- Alternative setpoints (setting of up to six alternative setpoints)</li> <li>- External setpoint influence (letting measured parameters influence the setpoint)</li> <li>- Primary sensor setup (selection of the control parameter of the system)</li> <li>- Clock program (setting of setpoints and time and day for their activation)</li> <li>- Proportional pressure (setting of proportional pressure operation)</li> <li>- Min. time between start/stop of pumps (setting a delay between the starting/stopping of one pump)</li> <li>- Max. number of starts/hour (limitation of the number of starts/stops per hour)</li> <li>- Standby pumps (selection of one or more pumps as standby pumps)</li> <li>- Forced pump changeover (setting of pump changeover so that pumps run for the same number of operating hours)</li> <li>- Pump test run (prevents pumps seizing up, liquid decaying in pumps and removes trapped air)</li> <li>- Pump stop attempt (automatic stop attempts, self-learning or at fixed intervals)</li> <li>- Pump start and stop speed (control of start and stop speed of pumps)</li> <li>- Min. performance (selection of minimum performance)</li> </ul>

Qty.	Description
1	<p>Emergency run (pumps keep running regardless of warnings and alarms)</p> <p>Setting of digital inputs</p> <p>Setting of analog inputs</p> <p>Setting of digital outputs</p> <p>Setting of min., max. and user-defined duty</p> <p>Pump curve data (entering of data describing the performance curves)</p> <p>Control source (control from CU 351 or via bus connection)</p> <p>Flow estimation (optimisation of operation according to performance curves)</p> <p>Dry-running protection (selection with pressure transmitter)</p> <p>Min. pressure (monitoring of minimum pressure)</p> <p>Max. pressure (monitoring of maximum pressure)</p> <p>External fault (monitoring of external fault)</p> <p>Limit exceeded 1 and 2 (monitoring of a set limit 1 (warning limit) and limit 2 (alarm limit))</p> <p>-</p> <p>Pumps outside duty range (indication of whether pumps fall outside duty range)</p> <p>Pressure relief function (monitoring of maximum system pressure) - option</p> <p>Display language (selection of display language)</p> <p>Display units (default units or US units)</p> <p>Date and time (setting of day and time)</p> <p>Passwords (setting of password for menu "Operation" and/or "Settings")</p> <p>Ethernet connection (controlling the system from a remote PC)</p> <p>GENIbus number (allocation of GENIbus number)</p> <p>Software status (status of software version).</p>
	<p><b>The controller was designed according to these directives:</b></p> <ul style="list-style-type: none"> <li>- Machinery Directive (98/37/EC)</li> <li>Standards used: EN 809 [2000] and EN 60204-1 [2006].</li> <li>- EMC Directive (2004/108/EC)</li> </ul>
	<p>Electrical data:</p> <p>Power (P2) main pump: ALL kW</p> <p>P2 aux.: ALL kW</p> <p>Mains frequency: 50 / 60 Hz</p> <p>Rated voltage: 1 x 100-240V, 50/60HZ, PE V</p> <p>Starting main: E</p> <p>Enclosure class (IEC 34-5): IP54</p>



Company name:

Created by:

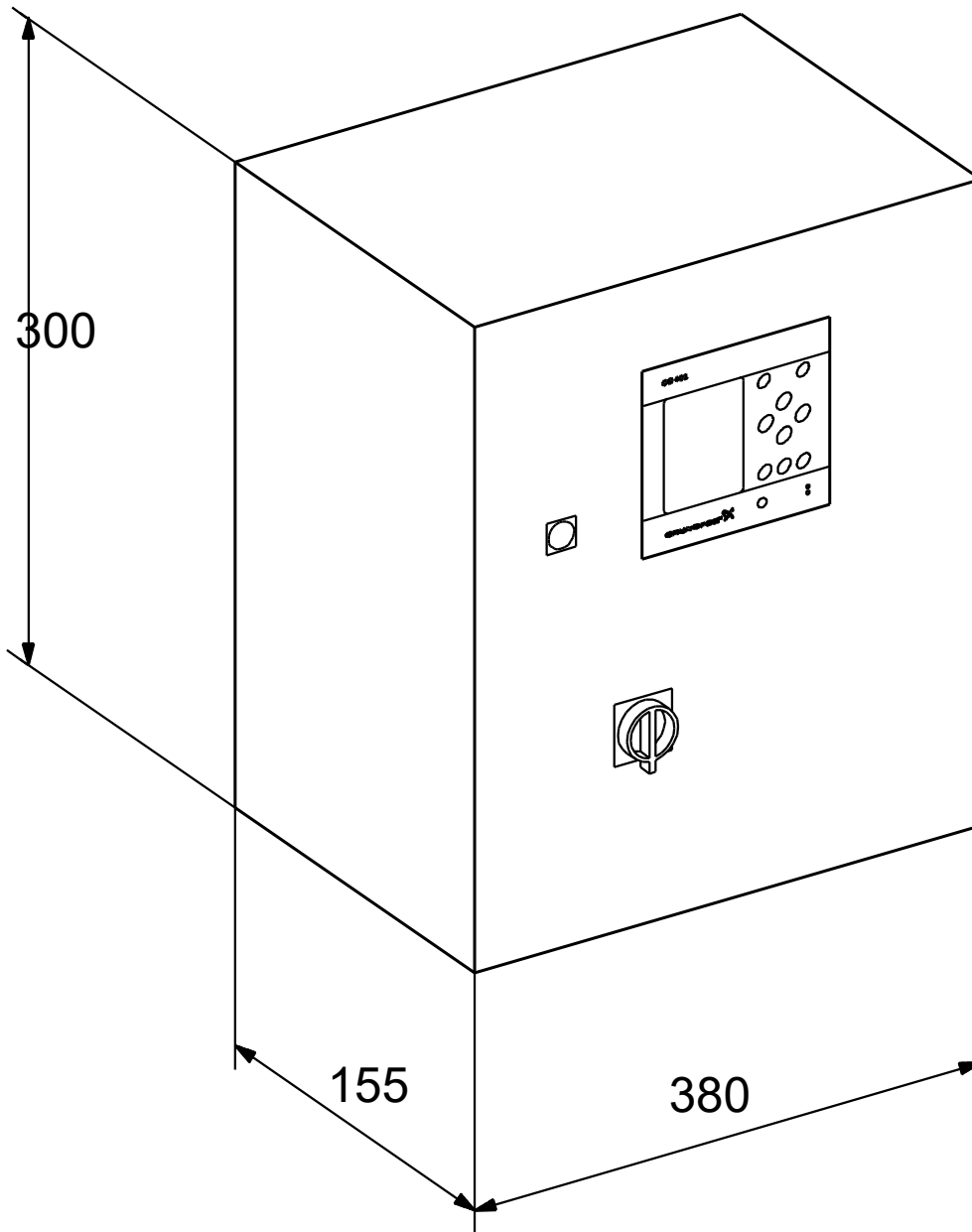
Phone:

Date:

24/01/2026

Description	Value
<b>General information:</b>	
Product name:	Control MPC Series 2000 - 6 p.
Product No:	On request
EAN number:	On request
<b>Technical:</b>	
Number of pumps:	6
<b>Electrical data:</b>	
Power (P2) main pump:	ALL kW
P2 aux.:	ALL kW
Mains frequency:	50 / 60 Hz
Rated voltage:	1 x 100-240V, 50/60HZ, PE V
Starting main:	E
Enclosure class (IEC 34-5):	IP54
<b>Controls:</b>	
Provision:	W
<b>Others:</b>	
Net weight:	11 kg
Gross weight:	11 kg
Language:	GB
Standard:	IEC
Danish VVS No.:	380695306

**On request Control MPC Series 2000 - 6 p.**



Note! All units are in [mm] unless others are stated.  
Disclaimer: This simplified dimensional drawing does not show all details.

