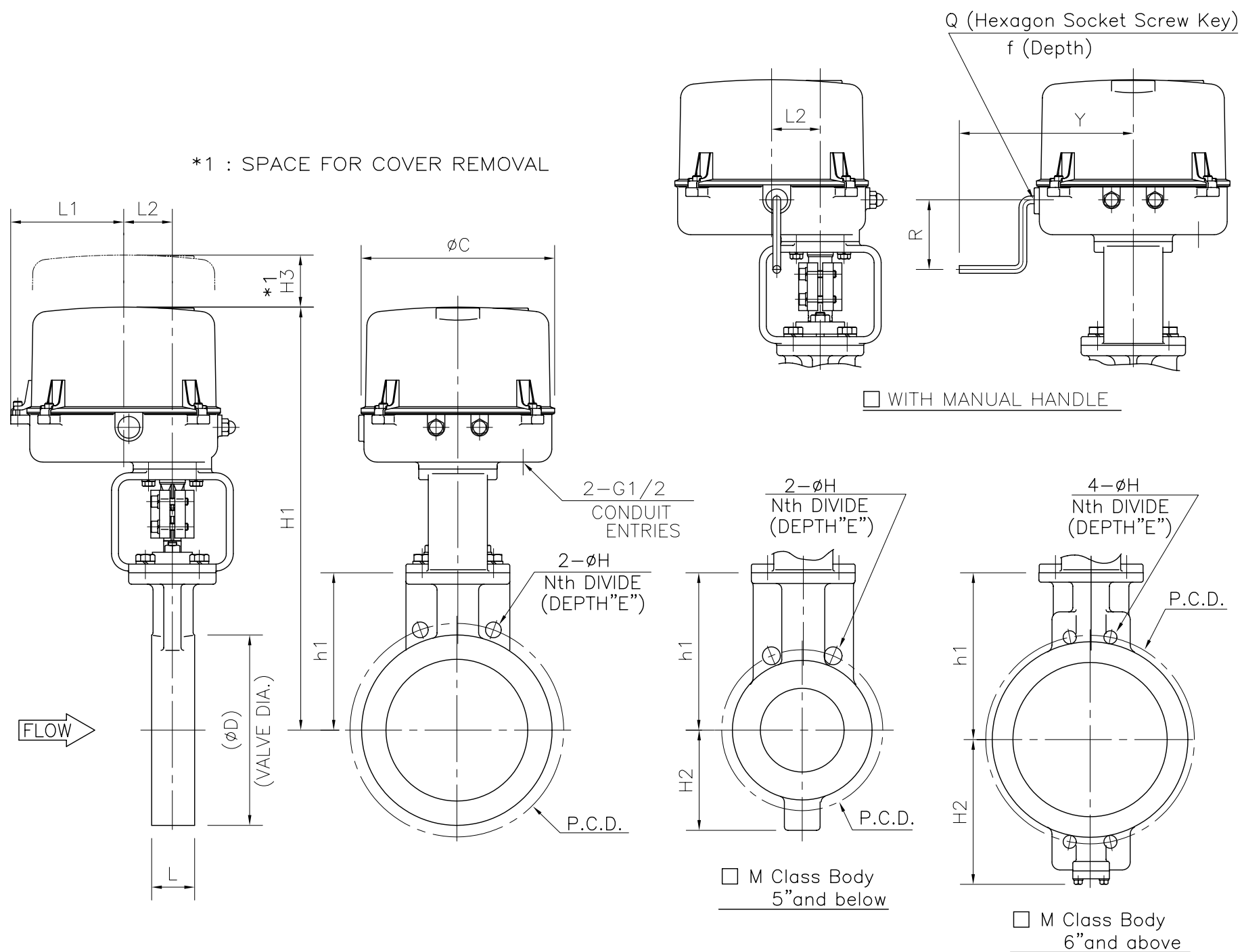


PARA-SEAL Motorized Actuator



DIMENSIONS

UNIT : mm

VALVE SIZE CODE No,	L Class Body					M Class Body					ACTUATOR							SIZE CODE No,	
	□ JIS 10k		□ ANSI Class 150			□ JIS 20k		□ ANSI Class 300			□ WITH MANUAL HANDLE								
	L	h1	H2	D	H1	L	h1	H2	D	H1	H3	L1	L2	øC	R	Y	Q-f		
03 □ 3" (80A)	46	137	—	132	440	64	162	85	135	510	—	120	130	56	225	80	200	6-12	□ 35A2RB □ 36A2RA □ 34A2RA
					480						155	145	68	255	160	225	8-15	□ 35B1RB □ 36B1RA □ 34B1RA	
					—						155	145	68	255	160	225	8-15	□ 35B2RB □ 36B2RA □ 34B2RA	
04 □ 4" (100A)	52	160	—	156	460	64	172	95	160	520	—	120	130	56	225	80	200	6-12	□ 35A2RB □ 36A2RA □ 34A2RA
					500						155	145	68	255	160	225	8-15	□ 35B1RB □ 36B1RA □ 34B1RA	
					—						155	145	68	255	160	225	8-15	□ 35B2RB □ 36B2RA □ 34B2RA	
05 □ 5" (125A)	56	170	—	187	515	70	205	120	195	—	155	145	68	255	160	225	8-15	□ 35B1RB □ 36B1RA □ 34B1RA	
					580					155	145	68	255	160	225	8-15	□ 35B2RB □ 36B2RA □ 34B2RA		
06 □ 6" (150A)	56	185	—	217	530	76	230	205	230	—	155	145	68	255	160	225	8-15	□ 35B1RB □ 36B1RA □ 34B1RA	
					605					155	145	68	255	160	225	8-15	□ 35B2RB □ 36B2RA □ 34B2RA		
08 □ 8" (200A)	60	220	—	266	595	—	—	—	—	—	155	145	68	255	160	225	8-15	□ 35B2RB □ 36B2RA □ 34B2RA	

VALVE SIZE	JIS 10k				JIS 20k				ANSI Class 150				ANSI Class 300			
	P.C.D	N	H	E	P.C.D	N	H	E	P.C.D	N	H	E	P.C.D	N	H	E
3" (80A)	□ (150)	8	(19)	—	□ (160)	8	(23)	—	□ (190.5)	8	(19)	—	□ (168.1)	8	(22)	—
4" (100A)	□ (175)	8	(19)	—	□ (185)	8	(23)	—	□ (215.9)	8	(22)	—	□ (200.2)	8	(22)	—
5" (125A)	□ (210)	8	(23)	—	□ (225)	8	(25)	—	□ (241.3)	8	(22)	—	□ (235)	8	(22)	—
6" (150A)	□ (240)	8	(23)	—	□ 260	12	M22	23	□ (298.4)	8	(22)	—	□ 269.7	12	22	—
8" (200A)	□ (290)	12	(23)	—	□ —	—	—	—	□ —	—	—	—	□ —	—	—	—

NOTE:

DRAWING No.

E-710E-3500RB
3600RA -B- N
3400RA S

REV.

B

KOSO