

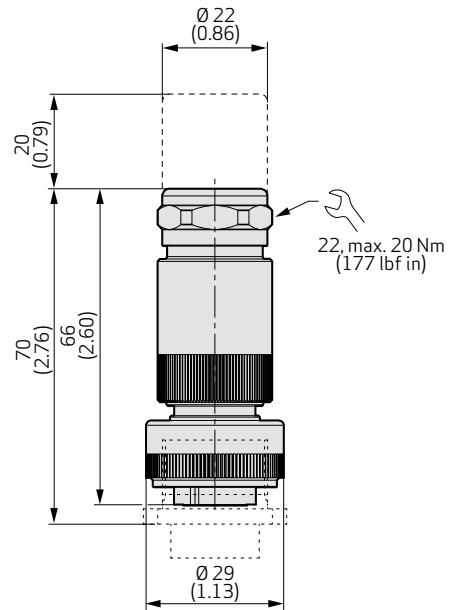
ACCESSORIES AND SPARE PARTS

Accessories - Installation Drawings

Mating Connector, Straight 6-pole + PE

In accordance with EN 175201-804, type R, metal, IP65, crimp contact $\varnothing 0.75$ to 1.5 mm^2 (0.0012 to 0.0023 in^2), conus $\varnothing 12.2 \text{ mm}$ (0.48 in), cable $\varnothing 9$ to 12 mm (0.35 to 0.47 in), sealing element $\varnothing 9$ to 13 mm (0.35 to 0.51 in)

Part number B97007-061



Mating Connector, Elbow 6-pole + PE

In accordance with EN 175201-804, type S, metal, IP65, cable $\varnothing 8$ to 12 mm (0.31 to 0.47 in)

Part number B97069-061

