

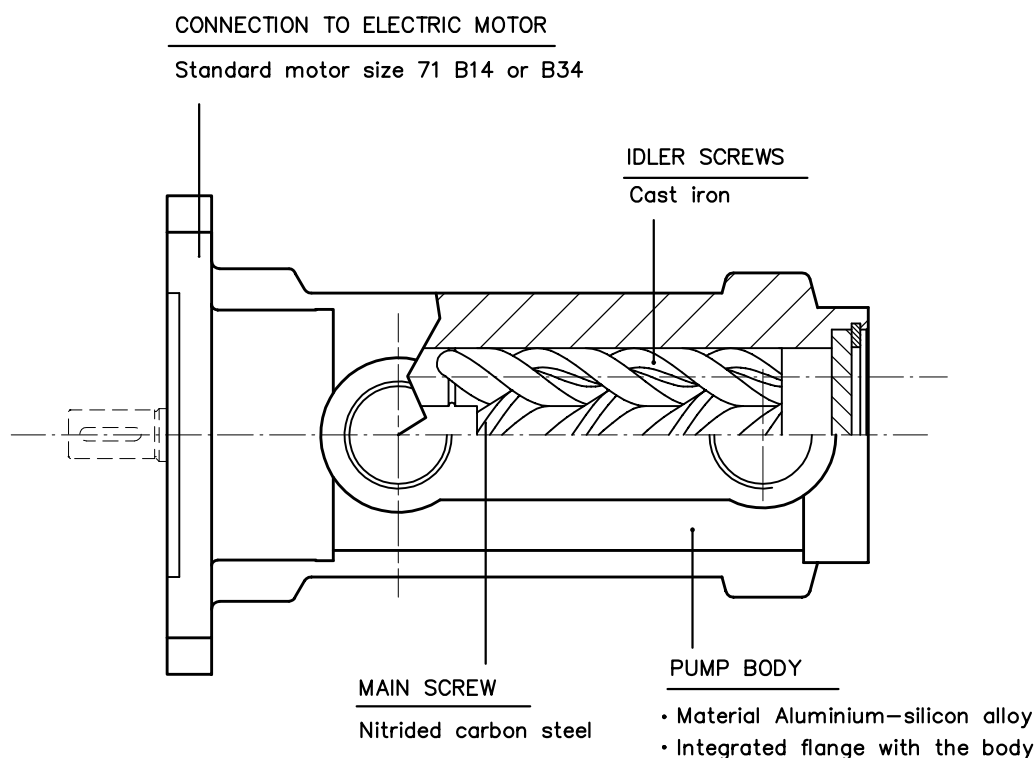
## Screw pumps – PQJ series

For hydraulic oils, lubricating oils  
 Admissible delivery pressure 10 bar  
 With security valve (STD. 5 bar)

### Main field of application:

- Auxiliary lubrication systems
- Female shaft standard version mating el. motor 71 B14 or B34
- Male shaft version - bell housing plus coupling for MEC 71 and MEC 80/90.

### Section and components



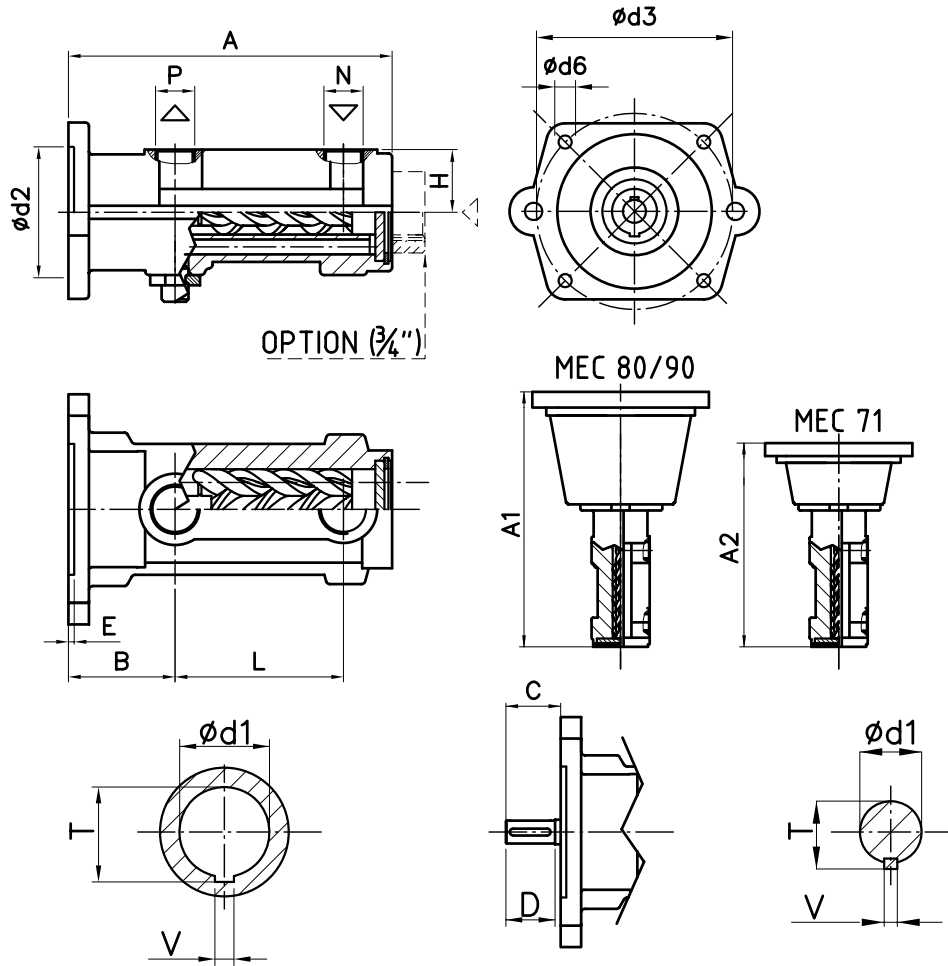
### Functional characteristics standard version

<b>Delivery flow</b>	3 to 38 l/min ( 0,8 to 10 USGPM)	
<b>Admissible delivery pressure*</b>	up to 10 bar (145 psi) continuous	
<b>Admissible suction pressure</b>	-0,2 to 1 bar ( -3 to 14,5 psi)	For different values contact SEIM
<b>Kinematics viscosity</b>	10 to 400 cSt	For different values contact SEIM
<b>Admissible temperature</b>	0 to 100 °C (32 to 212 °F)	For different values contact SEIM
<b>Driving speed</b>	750 to 3600 rpm	
<b>Average noise level</b>	56 dB(A) at 2900 rpm	
<b>Recommended filtration</b>	60 micron max, suction side (not abrasive contaminant) ISO4406 19 / 16 – NAS 10	
<b>Direction of rotation</b>	clockwise, as seen from the driving side	

\* Reduced pressure limits apply due to fluid viscosity and driving speed  
 Consult the performance charts for the individual pump size  
 For different functional characteristics, please contact our sales department

# Screw pumps – PQJ series

For hydraulic oils, lubricating oils  
 Admissible delivery pressure 10 bar  
 With security valve (STD. 5 bar)



NF - STE - PQJ - GB - 04-07 - 5

## Dimensional chart (mm)

SIZE	A	A1	A2	B	C	E	H	L	N	P	D	d2	d3	d6	d1	T	V
<b>GAS</b>																	
VERSION WITH FEMALE SHAFT															FEMALE SHAFT		
PQJ020#3...	173	-	-	57	-	4	33	90	3/4"	3/4"	-	70	85	6,5	14	16	5
PQJ025#3...																	
VERSION WITH MALE SHAFT															MALE SHAFT		
PQJ020#3...	173	300	245	57	30	4	33	90	3/4"	3/4"	32.5	70	85	6,5	14	16	5
PQJ025#3...																	

SEIM srl  
 Via A. Volta 17  
 20090 Cusago (MI) ITALY  
 Tel. (+39) 02.90.39.21.1  
 Fax (+39) 02.90.39.21.41  
 e-mail: [seim@seim.it](mailto:seim@seim.it)

[www.seim.it](http://www.seim.it)